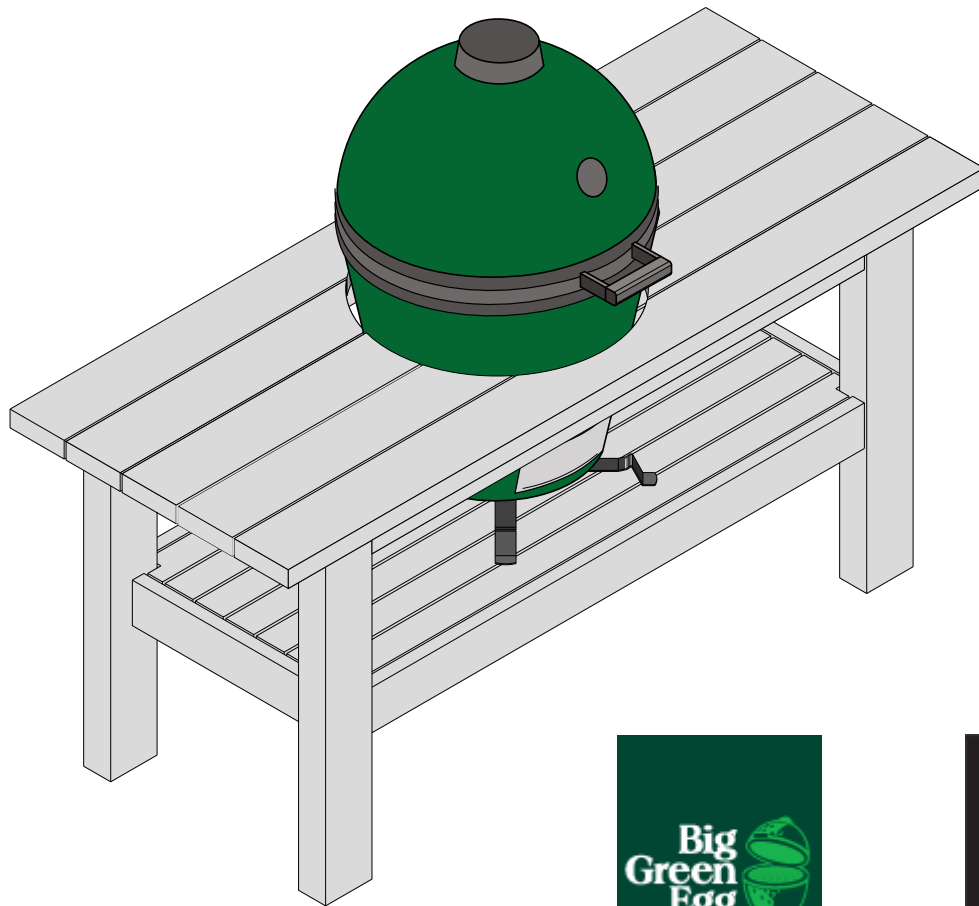




Alfresco
Concepts®

TABLE ASSEMBLY INSTRUCTIONS



- ✓ Large table
CDR-LT-2021
- ✓ Extra large table
CDR-XLT-2021

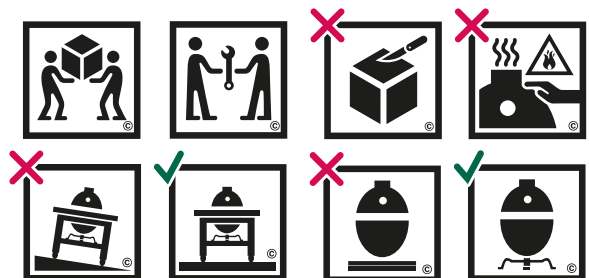
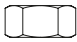

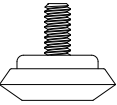
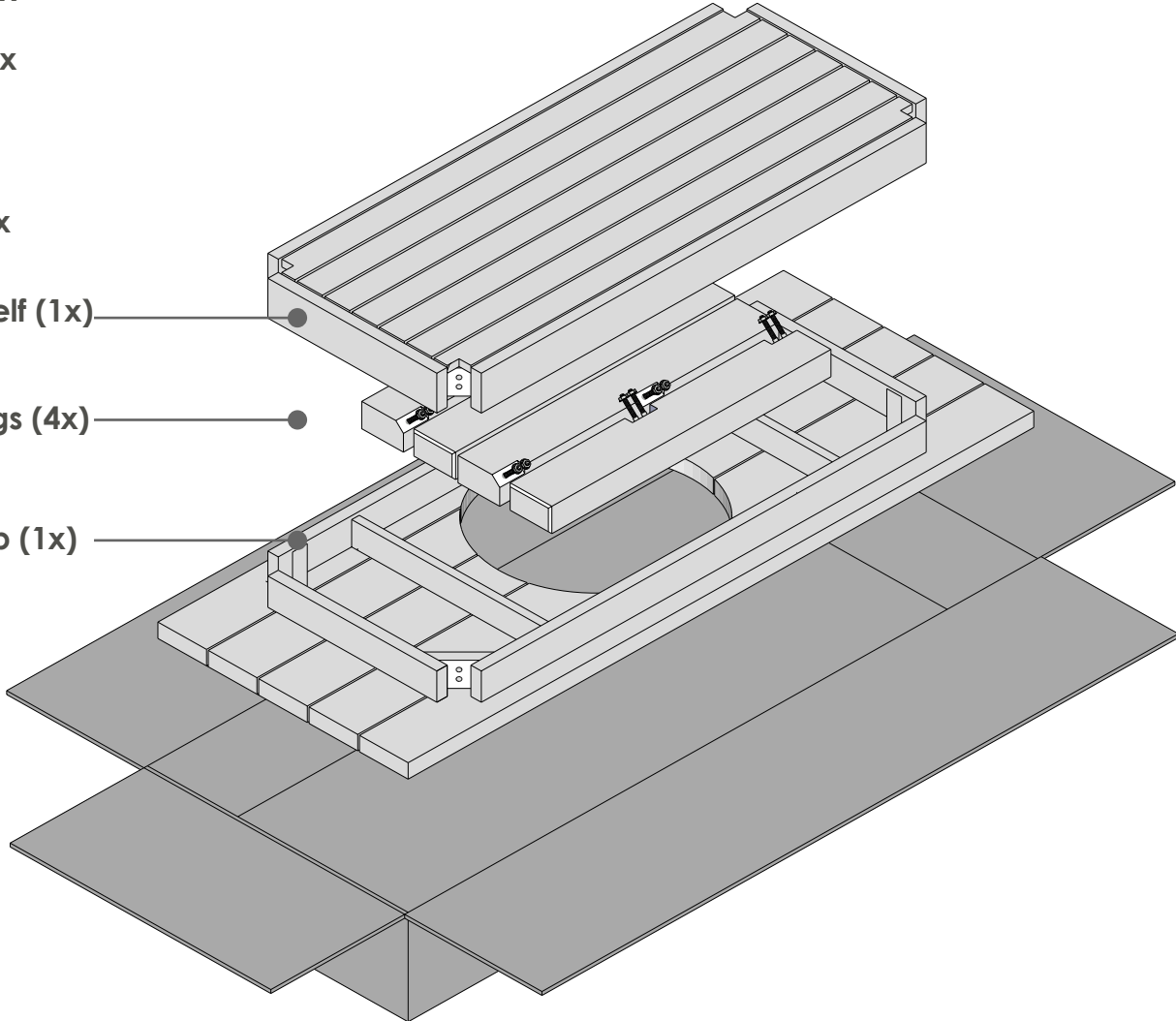


TABLE ASSEMBLY INSTRUCTIONS

Included:

-  16 x
-  16 x
-  4 x

- Shelf (1x)
- Legs (4x)
- Top (1x)



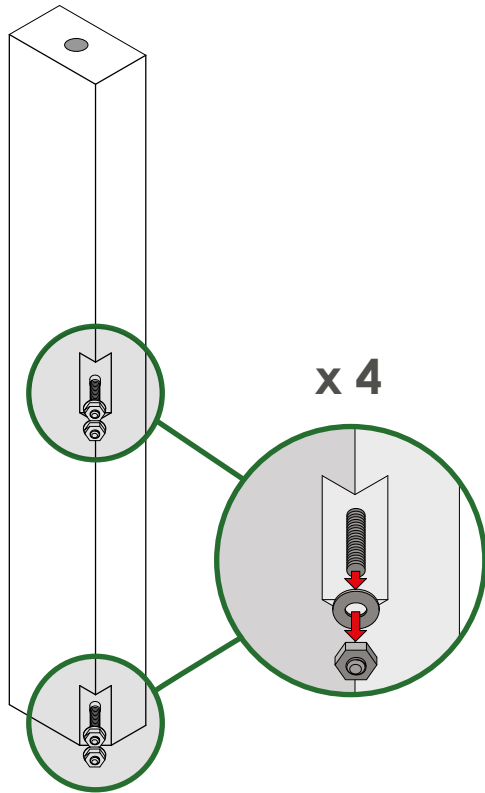
Not included:

-  14mm or 9/16" Ratchet Socket

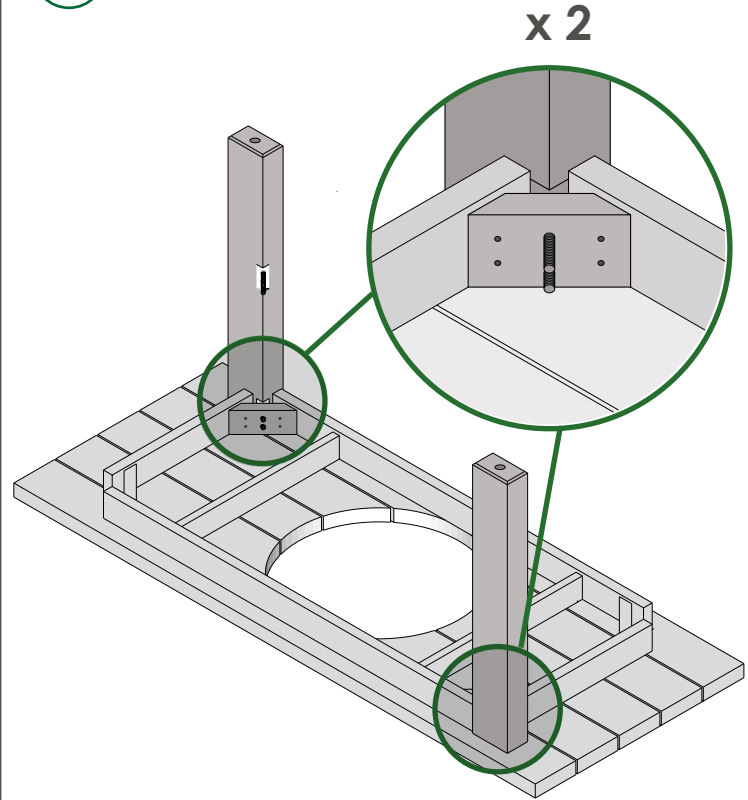


Tip:
Lay the box down before opening. In order to protect the table top surface leave the top in the cardboard box on the ground until the table is fully assembled.

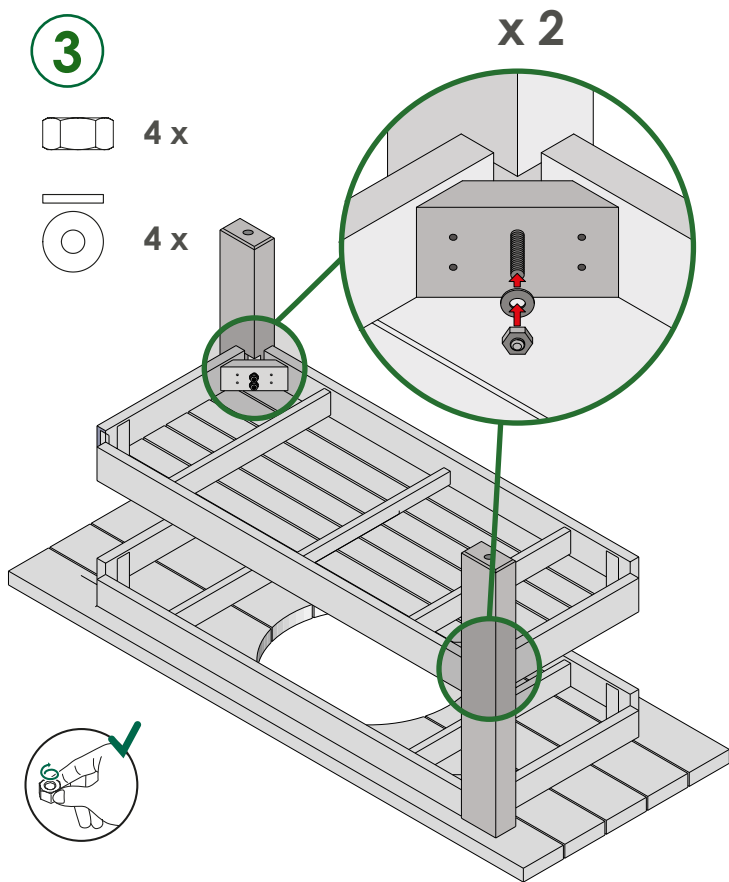
1



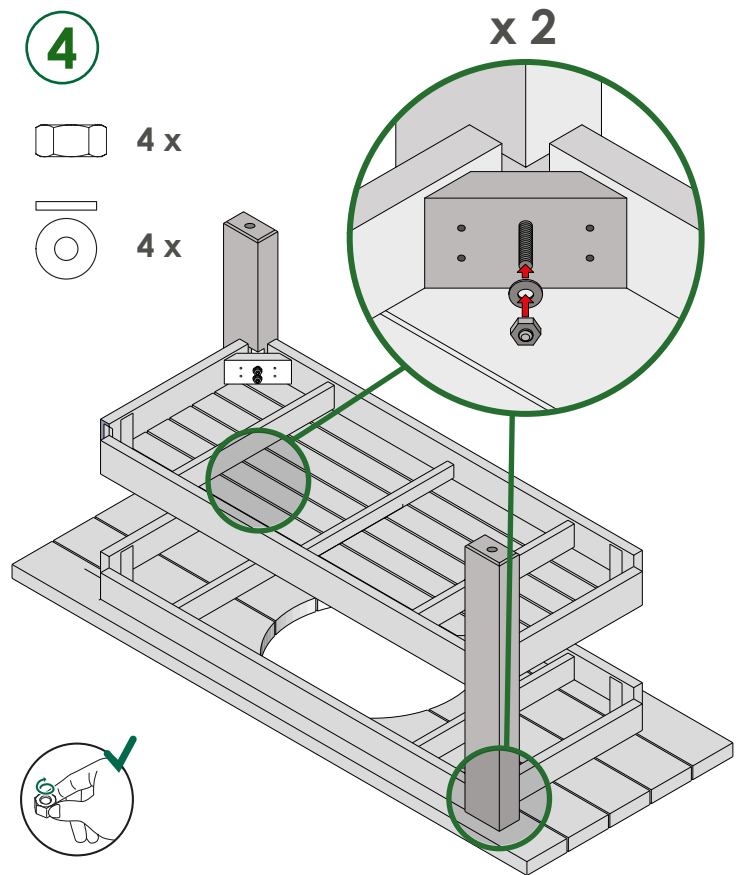
2



3



4



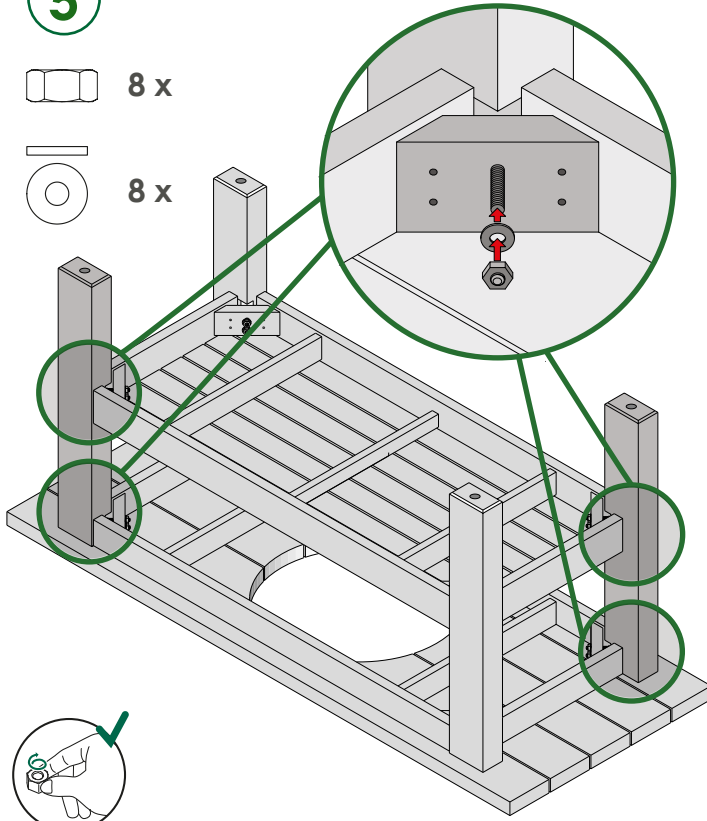
Tip:
The bolts will fit through the holes, do not force them, but tap the leg with your fist if needed.
DO NOT OVERTIGHTEN THE BOLTS

5

x 4

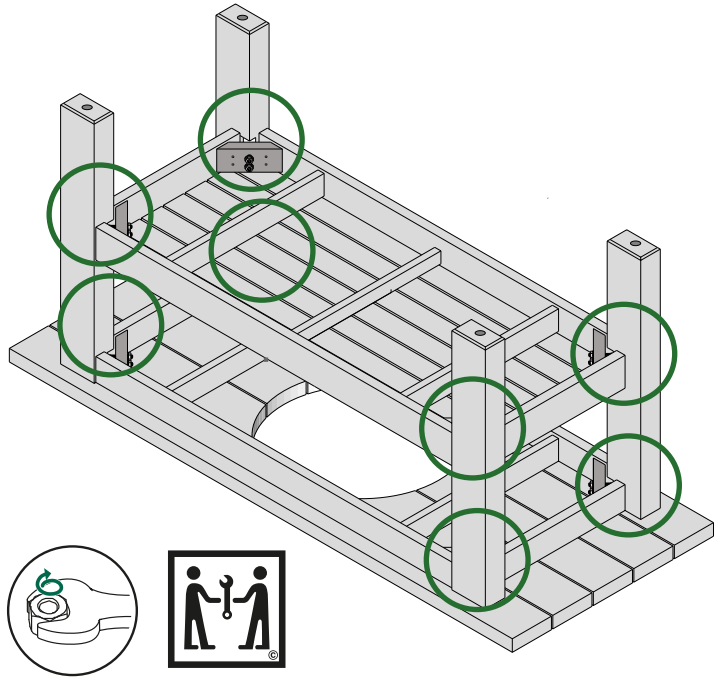
8 x

8 x

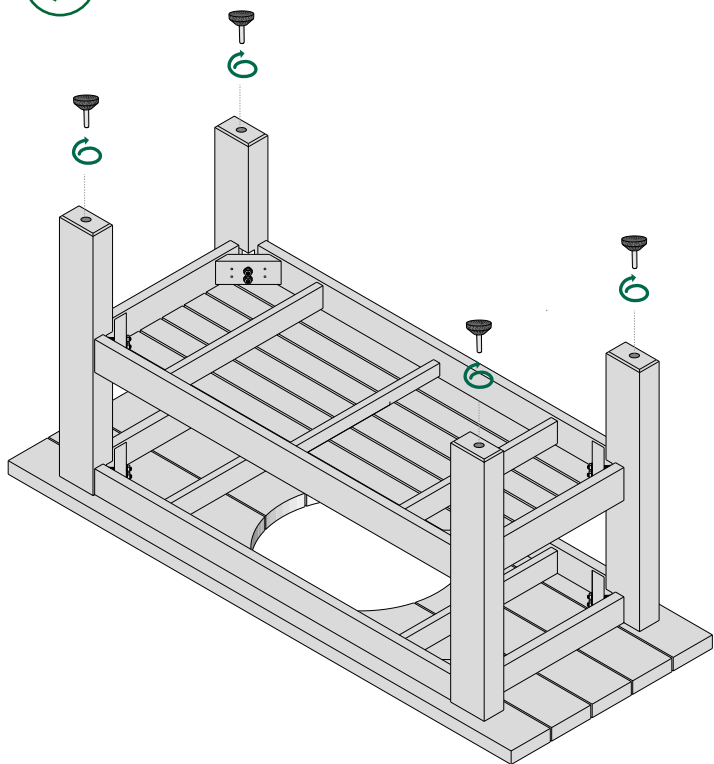


6

14mm or 9/16" Ratchet Socket



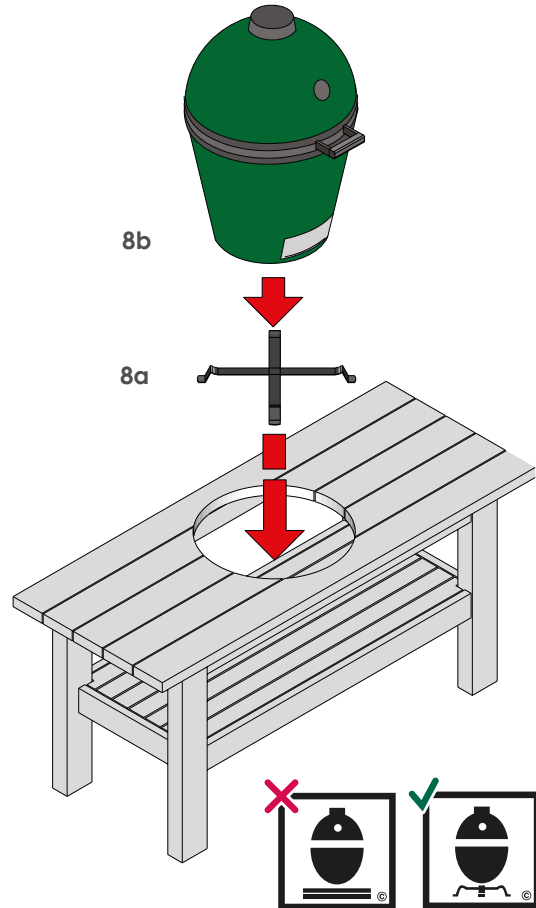
7



8

8b

8a



Tip: Should be cleaned with a damp cloth. A table cover is recommended.