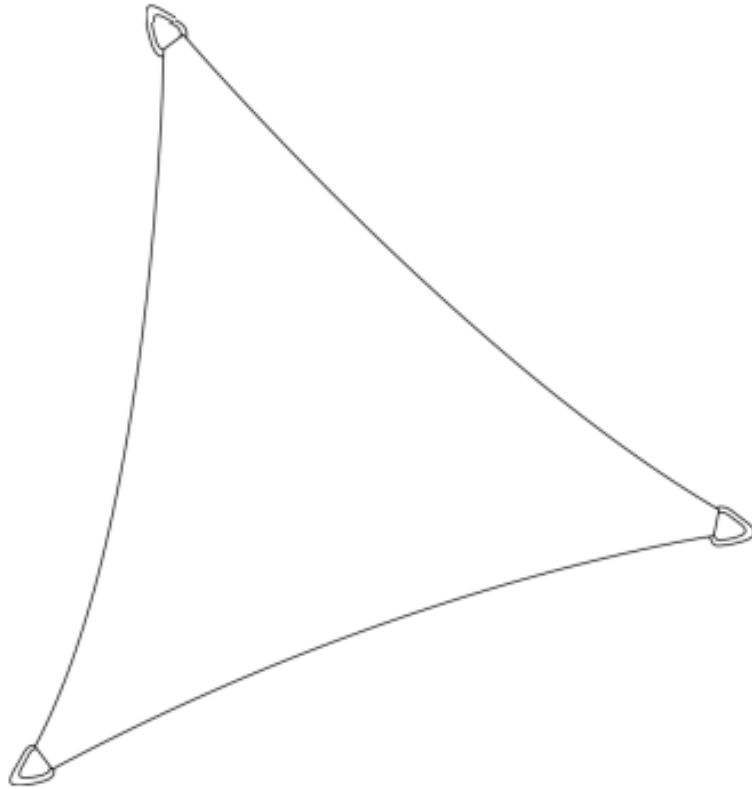


Sun Sail Grey

Stock number: 82011808



L300 W300cm

Thank you for purchasing the John Lewis and Partners Sun Sail Grey. Please make sure you read the instructions and warnings carefully before proceeding to ensure safe and satisfactory operation of this product. At John Lewis and Partners, we are committed to making great products, from our in-house design team to our buyers, we work together to bring great design to life.

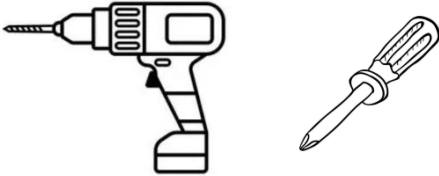
Our expert Product Technologists work collaboratively with our buyers and suppliers to assure the legality, safety and quality of the product we sell.

We are all committed to designing and developing products to the highest industry standard.

We hope you are happy with your product and welcome any feedback or comments you may have.

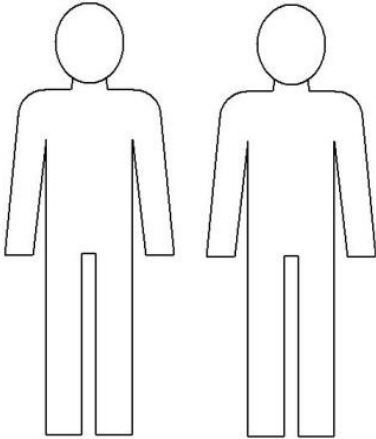
The John Lewis and Partners team.

Tools Required (not supplied)



Time to assemble
60 minutes

People required to assemble



Important safety information

Warnings

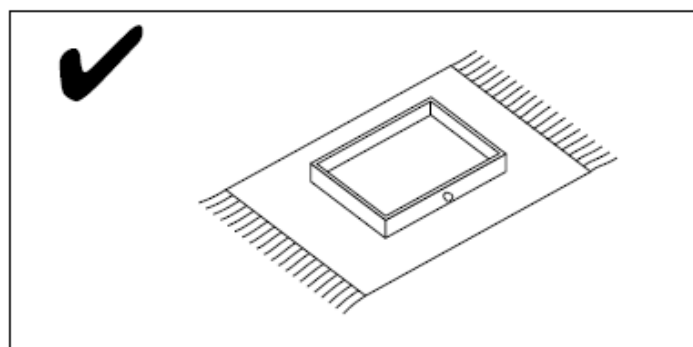
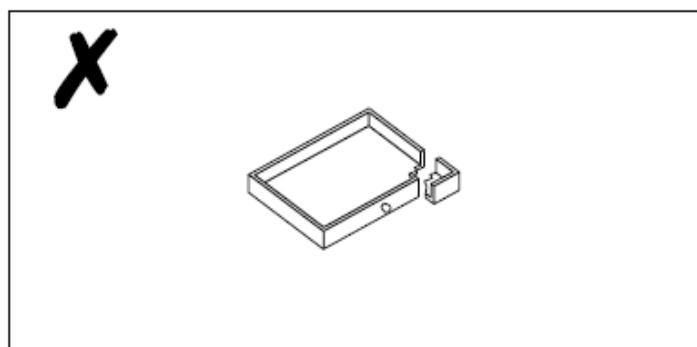
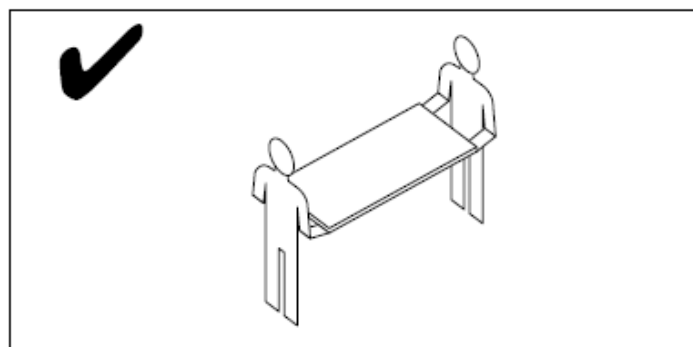
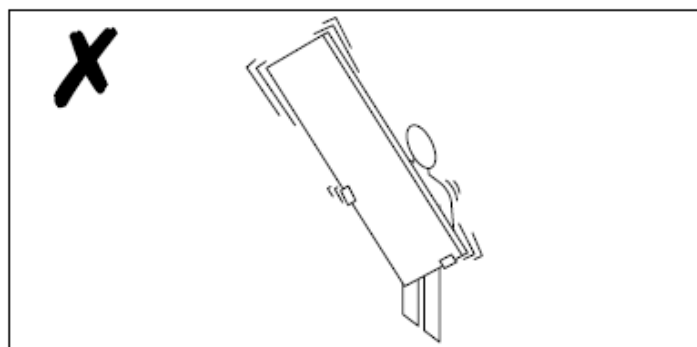
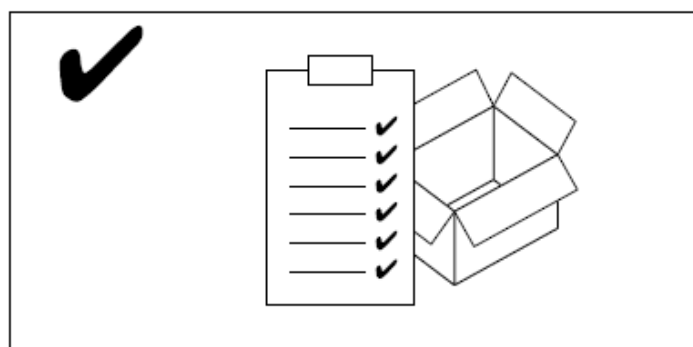
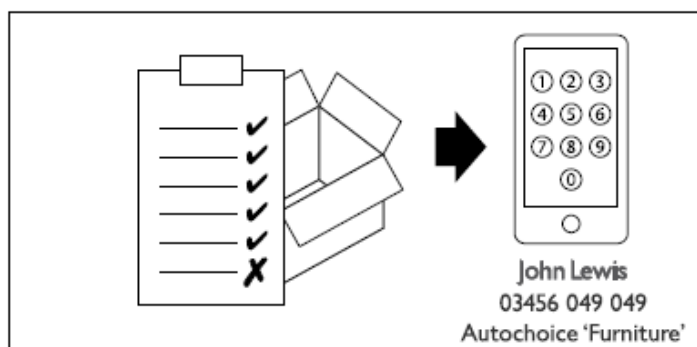
- △ Keep small parts out of reach of children.
- △ Ensure the product is fully assembled as illustrated before use.
- △ If planning to install on a rendered wall, we recommend professional consultation and installation to ensure render integrity is not damaged.

Do

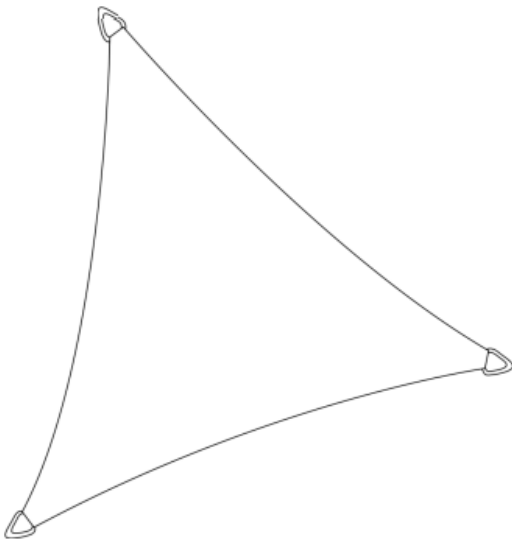
- ✓ Check the pack and make sure you have all the parts listed.

Don't

- ✗ Do not change the structure of the sail.
- ✗ Do not hang any objects on the sunshade sail.



Your Sun sail



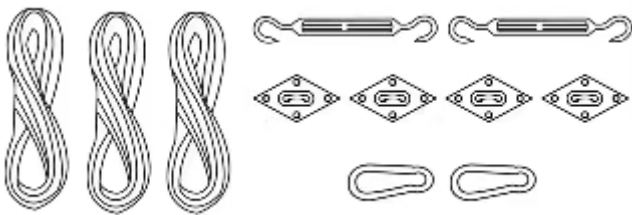
Ref	Description	Dimensions	Qty
1	Sun sail	length of each edge is 300cm	1


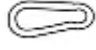


Internal dimensions

Stock number: 82011808

Overall size: L300cm at each edge

Fixtures and fittings



Ref	Description	Dimensions	Qty	Image
A	Pad eye		4	
B	Snap Hook		2	
C	Turnbuckle		2	
D	Rope	5m	3	

Product assembly

Sun sail grey

82011808

Step 1

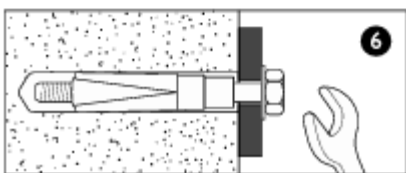
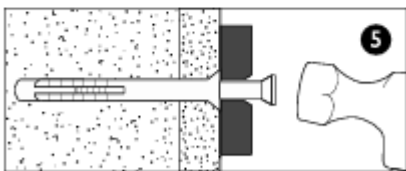
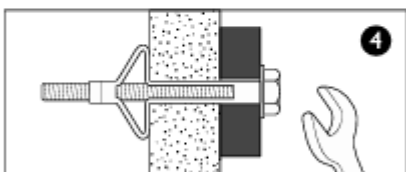
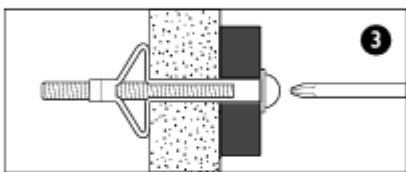
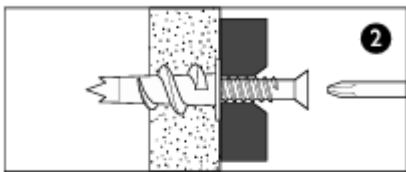
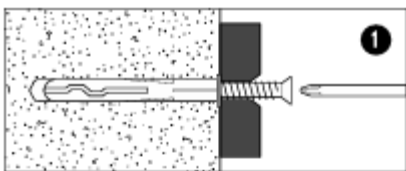
Parts, fittings and tools

Please read this wall mounting and fixings guideline before starting assembly.

⚠ Different wall materials require different types of screws / fixings. Please ensure you use the correct screws / fixings for your type of walls and seek professional advice if you are not sure.

Failure of the product due to incorrect fixings is the responsibility of the installer.

Important: When drilling into the walls always check that there are no hidden wires or pipes etc.



Types of walls

You can use one of the following types of wall plug if your walls are made of brick, breezeblock, concrete, stone or wood.

1. General Purpose wall plug

generally aerated blocks should not be used to support heavy loads, use a specialist fitting in this case. For light loads, general - purpose wall plugs can be used.

2. Plasterboard wall plug

For use when attaching light loads on to plasterboard partitions.

3. Cavity Fixing wall plug

For use with plasterboard partitions or hollow wooden doors.

4. Cavity Fixing – Heavy Duty wall plug

For use when fitting or supporting heavy loads such as shelving, wall cabinets and coat racks.

5. Hammer Fixing wall plug

For use with walls stuck with plasterboard. The hammer fixing allows it to be fixed to the wall rather than the plasterboard. Always check the fixing is secure to the retaining wall.

6. Shield Anchor wall plug – Heavy loads

For use with heavier loads such as TV and Hi-Fi speakers and satellite dishes etc.

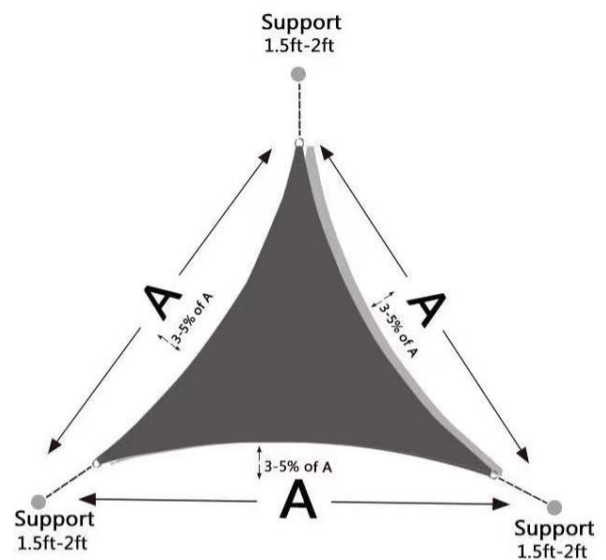
Step 2

Parts, fittings and tools

Choose the place where the sun sail is going to be installed. Care must be taken when selecting the anchor points for the sail. Anchor points need to be strong enough to support the sun sail when in tension. If installing a pole to support the structure, please follow the manufacturer's guidelines and ensure the ground is prepared accordingly. Poles angled away from the center of the sail by ten degrees can provide extra stability and strength.

If using wall fixings, please follow the guideline above.

Measure and clean the area where the sun sail is to be installed. Leave an allowance of 1.5-2ft between the fixing point and the sun sail.

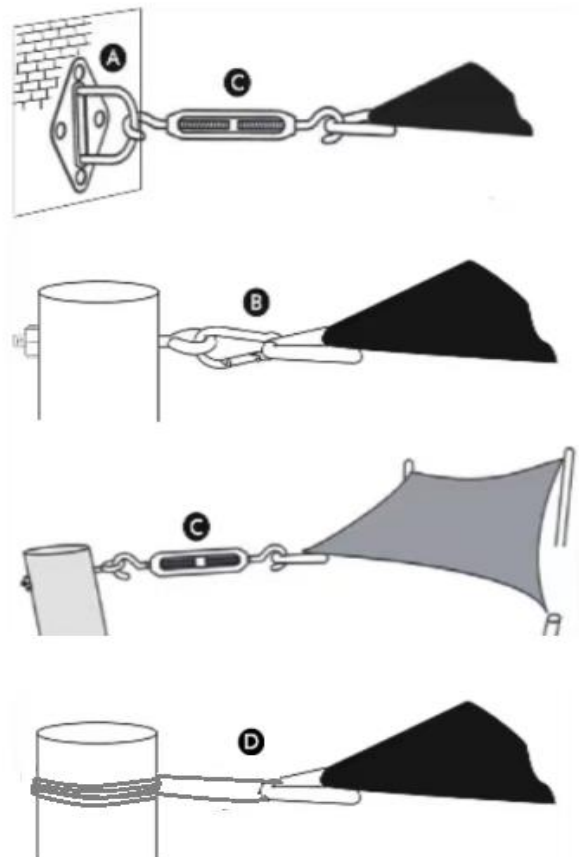
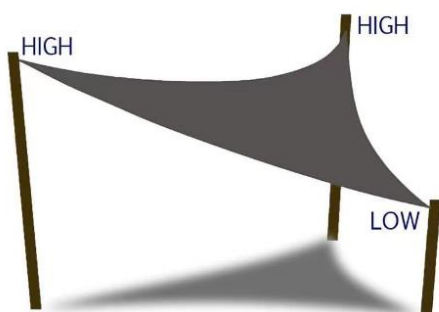


Step 3

Parts, fittings, and tools

1 B C D

1. Fix the sun sail (1) to the fixing point. Use the fixing parts supplied.
2. A hyperbolic style where 2 sides are higher, allows heavy rain to run off and also makes your sun sail look more attractive.



Care guide

Care and maintenance

Remove the sun sail when not in use, and ensure it is not being used in adverse weather conditions (strong winds, rain, frost, snow, etc.) as this can cause damage to the items being attached to it, as well as to the sail. Do not change the structure of the sun sail.

Wipe clean with a damp cloth, and dry thoroughly. For stubborn marks, gently apply a mild detergent solution with a sponge, do not rub, leave to sit for ten minutes then wash off with water with a garden hose. Do not clean using a brush or scouring pad. Air dry only, do not tumble dry.

Safety instructions

Do not hang any objects on the sun sail.

Stay away from fire or any glowing objects (candles, barbecues etc)

No liability will be accepted for damage or injury caused by incorrectly installed or assembled parasol bases.

Sun sail should not be used in high winds or during inclement weather.

Check if the edges of 3 are correctly fixed.

Periodically check all fixings to ensure none have come loose and re-tighten where necessary.

Retain these instructions for future reference.

Your feedback is very important to us, and we would love to hear your comments on your new furniture. Please visit our website to leave a review. Thank you.