



Franklin Coffee Table

Stock number: 820 39514




H30 W106 D106cm

Thank you for purchasing the John Lewis & Partners Franklin Coffee Table. Please read the instructions and warnings carefully before use, to ensure safe and satisfactory operation of this product.
At John Lewis & Partners, we are committed to making great products possible.
From our in-house Design Team, to our Buyers, we work together to bring great design to life.
Our expert Product Technologists work collaboratively with our buyers and suppliers to ensure the legality, safety and quality of the product we sell.
We are all committed to designing and developing products to the highest industry standards.
We hope you are happy with your product and welcome any feedback or comments you may have.

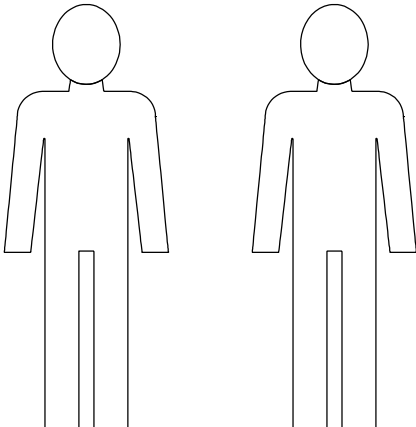
The John Lewis & Partners Team

Tools required



Time to assemble
20 mins

People to assemble



Important safety information

Warnings

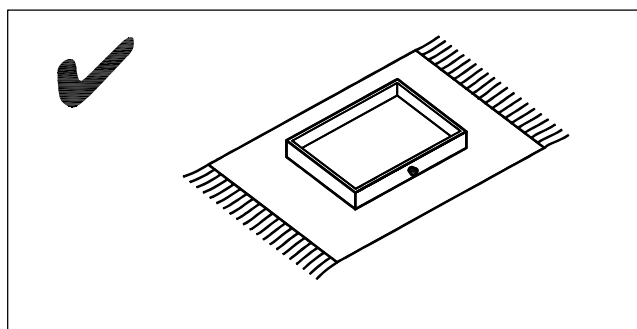
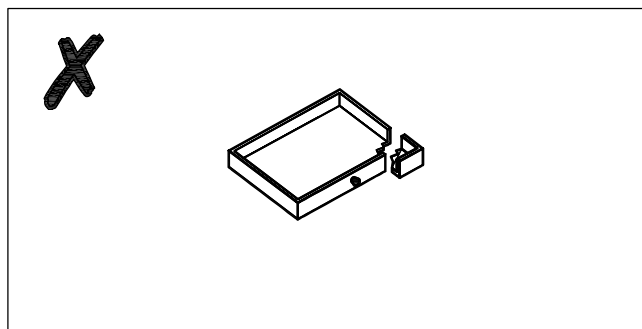
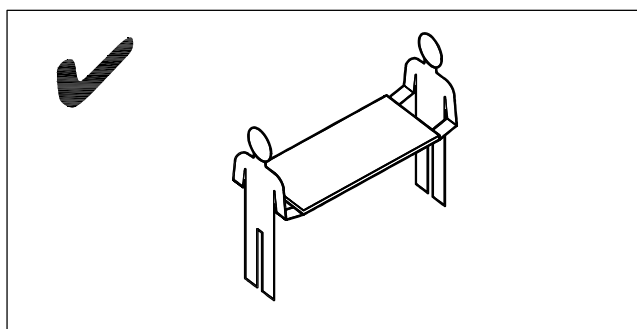
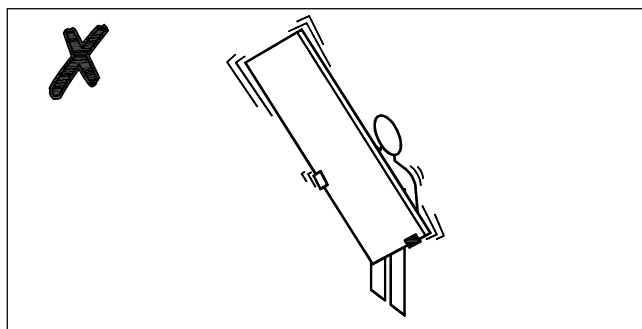
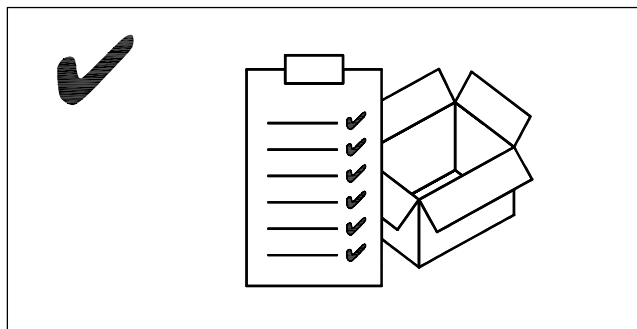
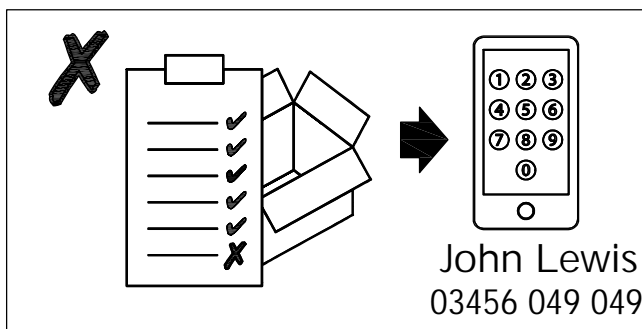
- ⚠ The product should only be used on firm, level ground.
- ⚠ Keep small parts out of reach of children.
- ⚠ Ensure the product is fully assembled as illustrated before use.

Do's

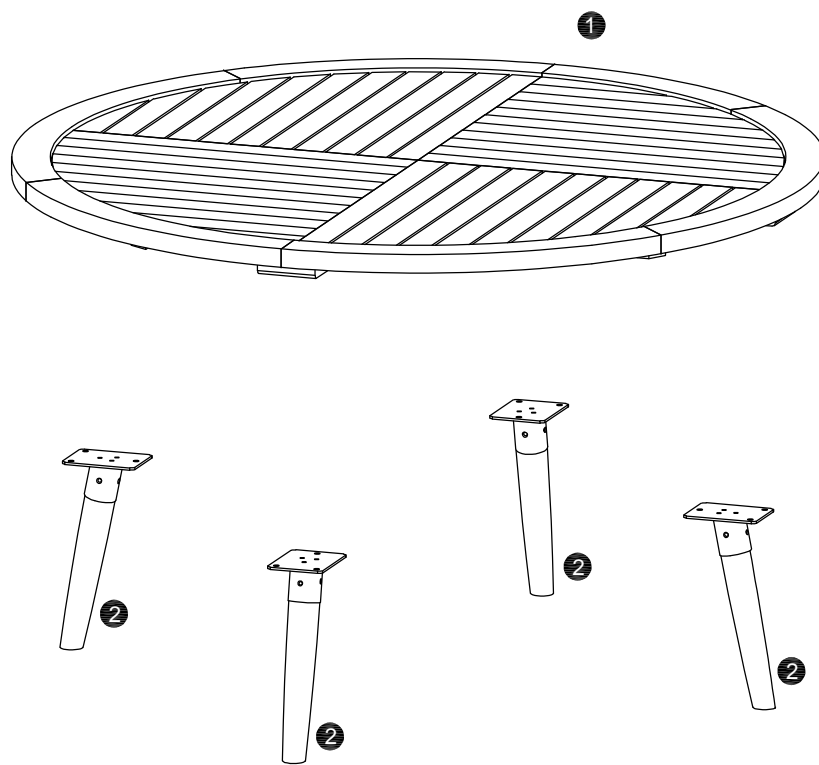
- ✓ Check the pack and make sure you have all the parts listed.
- ✓ Check all screws or bolts are tightened and inspect regularly.
- ✓ Make sure the legs remain in contact with the ground at all times.

Don't

- ✗ Do not over tighten screws or bolts.
- ✗ Do not stand on the product.
- ✗ Do not use power tools to construct as overtightening and panel failure may occur.

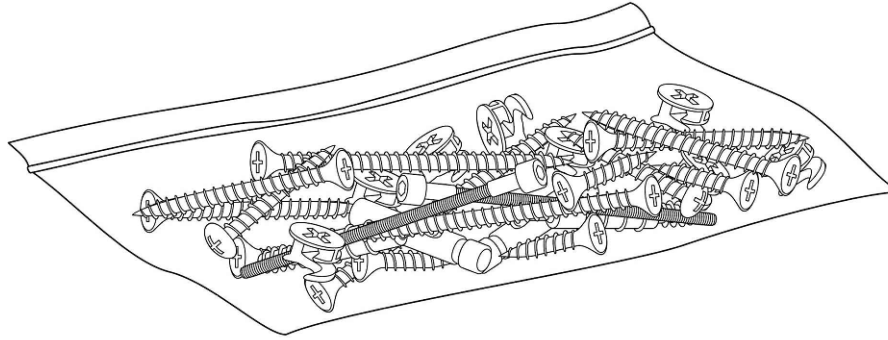


Your Coffee Table

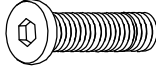




Ref	Description	Dimensions	Qty
①	Table top	106cm x 106cm x 3.7cm	1
②	Leg	4cm x 4cm x 27cm	4


Fixtures and fittings



Fixtures and fittings
supplied (actual size)

Ref	Description	Dimensions	Qty	mm
				0 10 20 30 40 50 60 70
A	Allen bolt	M6 x 20mm	12	
B	Lock washer	Dia. 12mm	12	
C	Washer	Dia. 18mm	12	

Fixtures and fittings
supplied (Not actual size)

Ref	Description	Dimensions	Qty	
D	Allen key	#4	1	

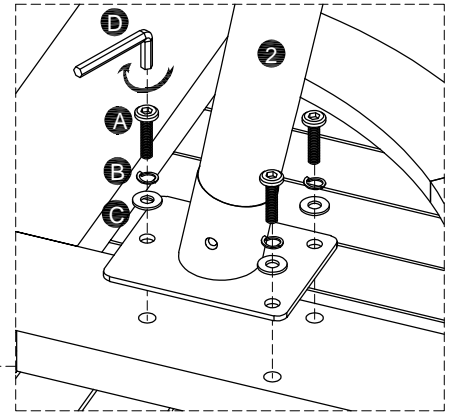
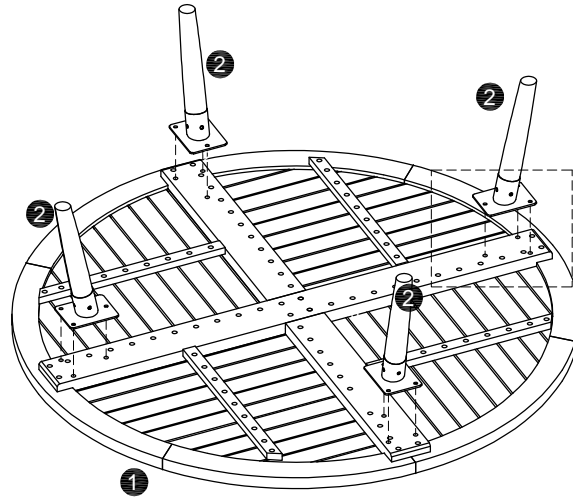
Product assembly

Franklin Coffee Table
820 39514

Step 1

Parts, fittings and tools

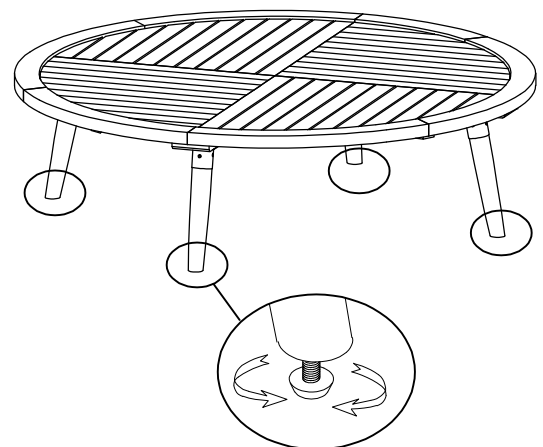
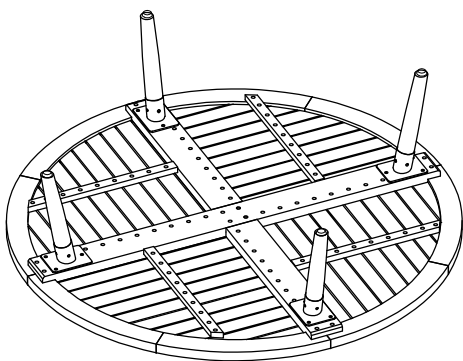
1 2 A B C D



Find a clear area for assembly, near where you intend to use the table. Place table top (1) upside down on a soft surface. Then locate the legs (2) and secure using the Allen bolt (A), Lock washer (B), Washer (C) tightening with the Allen key (D) provided. Repeat this process for all legs.

Step 2

Parts, fittings and tools



With 2 people, carefully turn and place the table on its feet. Take care when lifting not to damage the legs. Once in position, turn the adjustable feet so it sits flat on the ground.

Care and maintenance

How to care for your outdoor wooden furniture

Your furniture is made from solid FSC Acacia with a hand-applied oil finish. This oil finish helps maintain the appearance of your furniture and helps reduce the effects of weathering. To help maintain the furniture's appearance, we recommend that you re-finish your furniture each year. This can be done by lightly scrubbing with a brush, warm water and a small amount of washing-up liquid, waiting for the furniture to completely dry, then re-apply a branded outdoor furniture oil with a cloth and allowing it to dry.

Wash your outdoor furniture annually, scrub with soapy water followed by a thorough rinse. Do not use a power washer, it will damage the wood.

Periodically check all fixings to ensure none have come loose and re-tighten where necessary.

Wood is a natural material, it will expand and contract under different weather conditions causing small fractures to develop along the grain. This is not a fault and adds to the character and beauty of the product.

We recommend that all garden furniture is covered when not in use and stored for winter. Ensure your furniture is clean and completely dry before being covered. The cover must be breathable to prevent mildew and/or mould developing. If storing away, ensure the space is not heated but dry with good airflow.

Retain these instructions for future reference.

Do not stand on this product.

Maximum Load Capacity: 30kg

Your feedback is very important to us and we would love to hear your comments on your new furniture. Please visit our website to leave a review. Thank you.