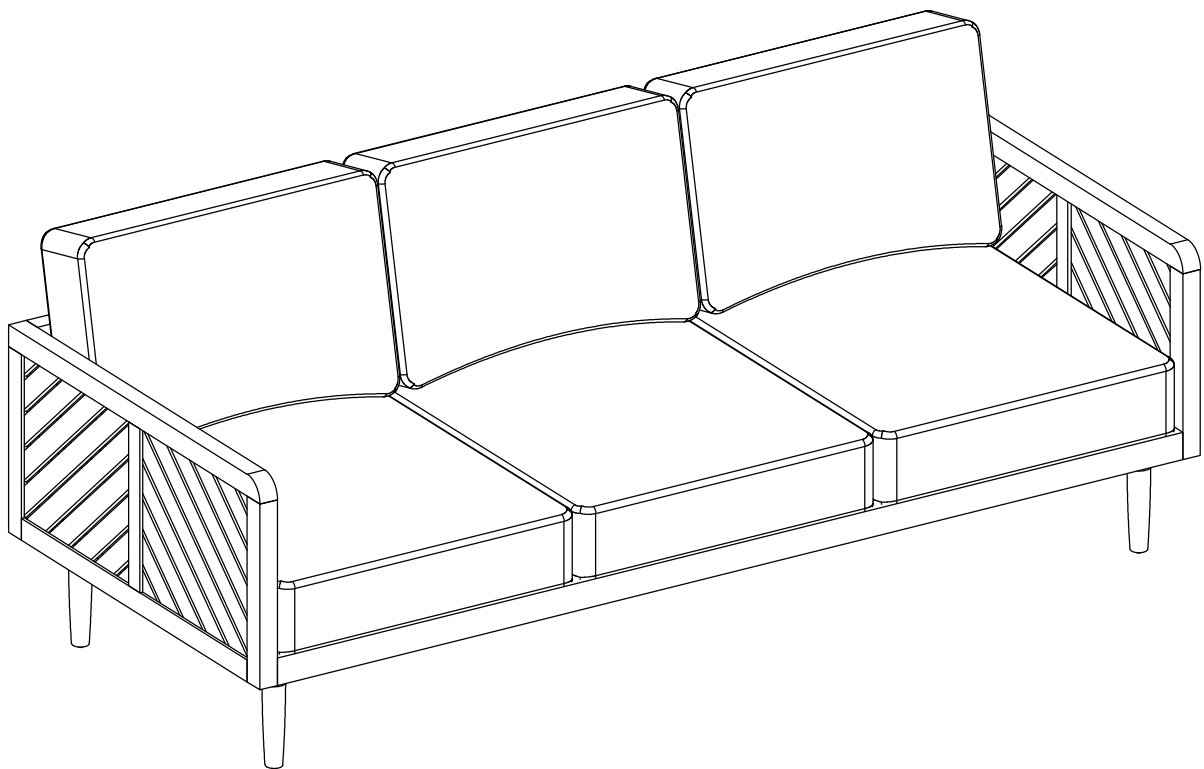




Franklin - 3 Seater Sofa
Stock number: 820 39512




H78.5 W187 D79cm

Thank you for purchasing the John Lewis & Partners Franklin - 3 Seater Sofa. Please read the instructions and warnings carefully before use, to ensure safe and satisfactory operation of this product.
At John Lewis & Partners, we are committed to making great products possible.
From our in-house Design Team, to our Buyers, we work together to bring great design to life.
Our expert Product Technologists work collaboratively with our buyers and suppliers to ensure the legality, safety and quality of the product we sell.
We are all committed to designing and developing products to the highest industry standards.
We hope you are happy with your product and welcome any feedback or comments you may have.

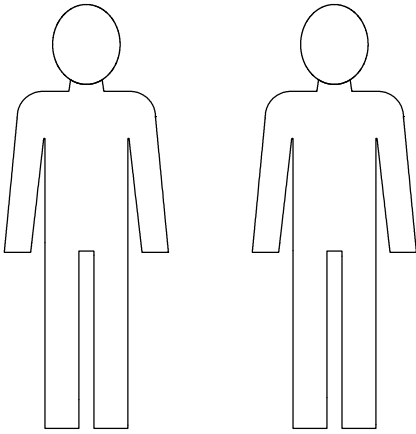
The John Lewis & Partners Team

Tools required



Time to assemble
45 mins

People to assemble



The image is a rectangular box containing assembly information. At the top, the text 'Tools required' is followed by a line drawing of an Allen key. Below this, the text 'Time to assemble' is followed by '45 mins'. Underneath, the text 'People to assemble' is followed by two simple line drawings of human figures, representing the number of people needed for assembly.

Important safety information

Warnings

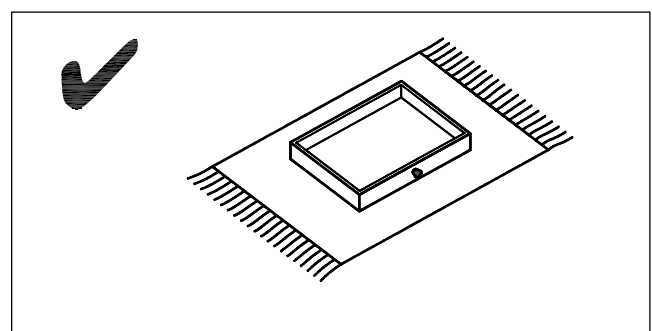
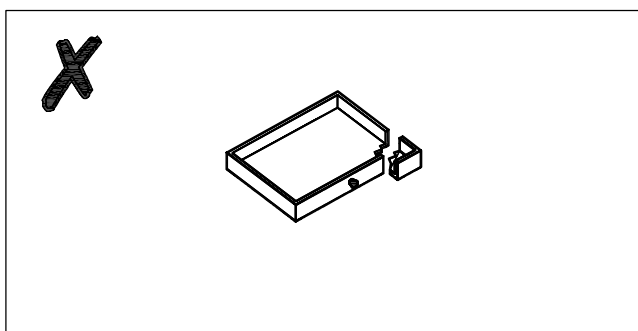
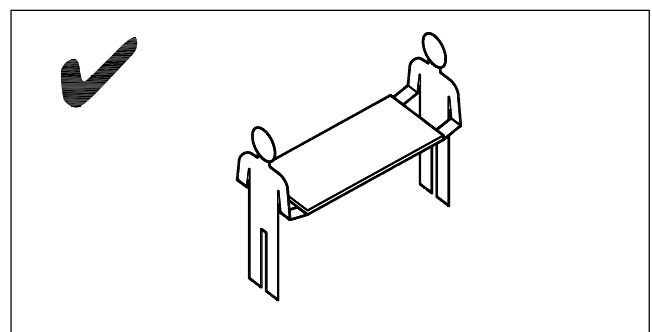
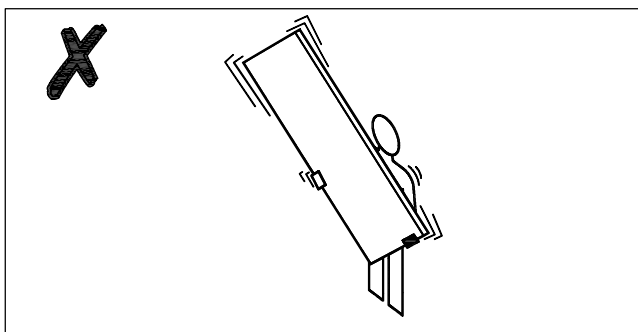
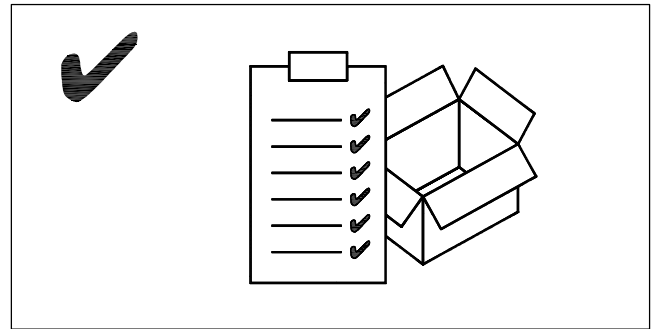
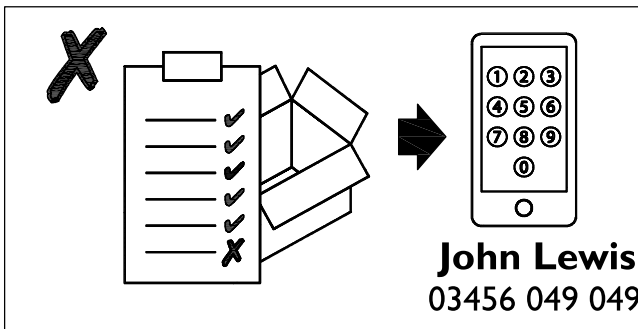
- ⚠ The product should only be used on firm, level ground.
- ⚠ Keep small parts out of reach of children.
- ⚠ Ensure the product is fully assembled as illustrated before use.

Do's

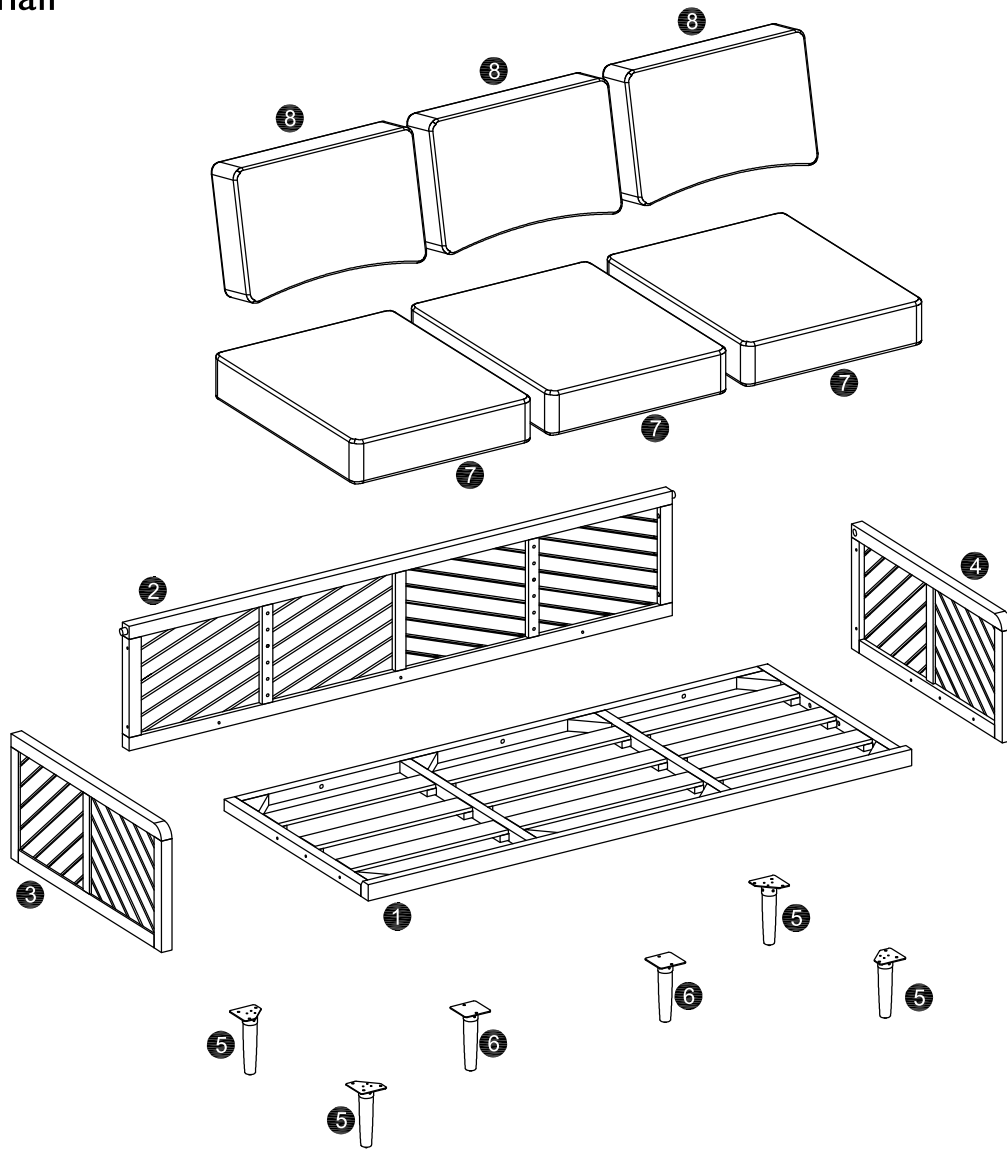
- ✓ Check the pack and make sure you have all the parts listed.
- ✓ Check all screws or bolts are tightened and inspect regularly.
- ✓ Make sure the legs remain in contact with the ground at all times.

Don't

- ✗ Do not over tighten screws or bolts.
- ✗ Do not stand on the product.
- ✗ Do not use power tools to construct as overtightening and panel failure may occur.

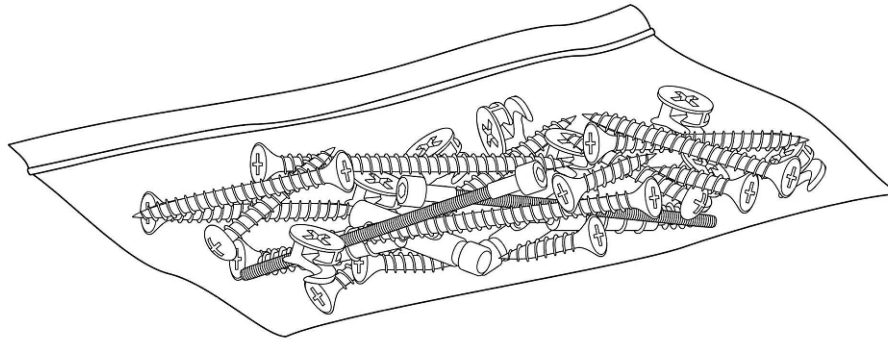


Your chair

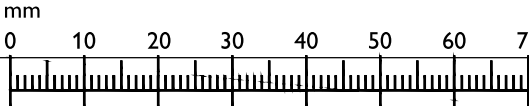
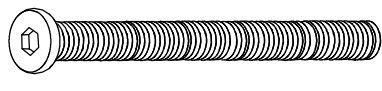
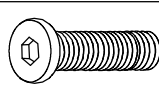
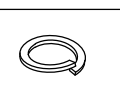


Ref	Description	Dimensions	Qty
①	Bottom panel	180cm x 75.7cm x 5cm	1
②	Back panel	180cm x 38cm x 3.5cm	1
③	Side panel/ Left	79.2cm x 38cm x 3.5cm	1
④	Side panel/ Right	79.2cm x 38cm x 3.5cm	1
⑤	Legs	4cm x 4cm x 18.5cm	4
⑥	Middle legs	4cm x 4cm x 18.5cm	2
⑦	Seat cushions	76cm x 60cm x 18cm	3
⑧	Back cushion	60cm x 40cm x 18cm	3


Fixtures and fittings



Fixtures and fittings
supplied (actual size)

Ref	Description	Dimensions	Qty	mm
A	Large allen bolt	M6 x 50mm	13	
B	Small allen bolt	M6 x 20mm	16	
C	Lock washer	Dia. 12mm	16	
D	Washer	Dia. 18mm	16	

Fixtures and fittings
supplied (Not actual size)

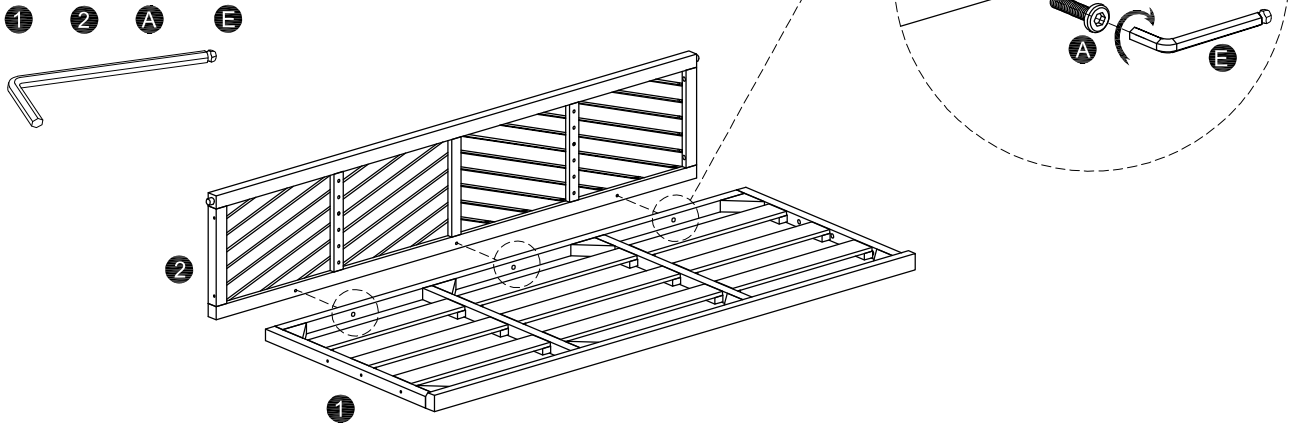
Ref	Description	Dimensions	Qty	
E	Allen key	#4	1	

Product assembly

Franklin - 3 Seater Sofa
820 39512

Step 1

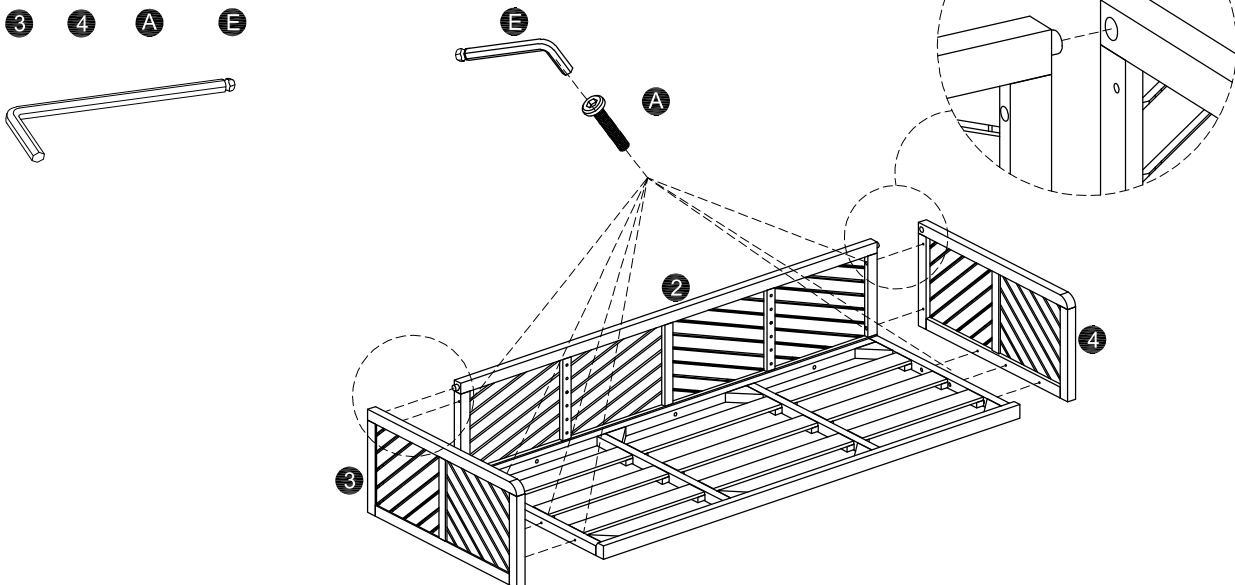
Parts, fittings and tools



Find a clear area for assembly, near where you intended to use the sofa. Place bottom panel (1) on a soft surface and align with back panel (2). For each hole, insert Large allen bolt (A) and tightening with the Allen key (E) provided.

Step 2

Parts, fittings and tools



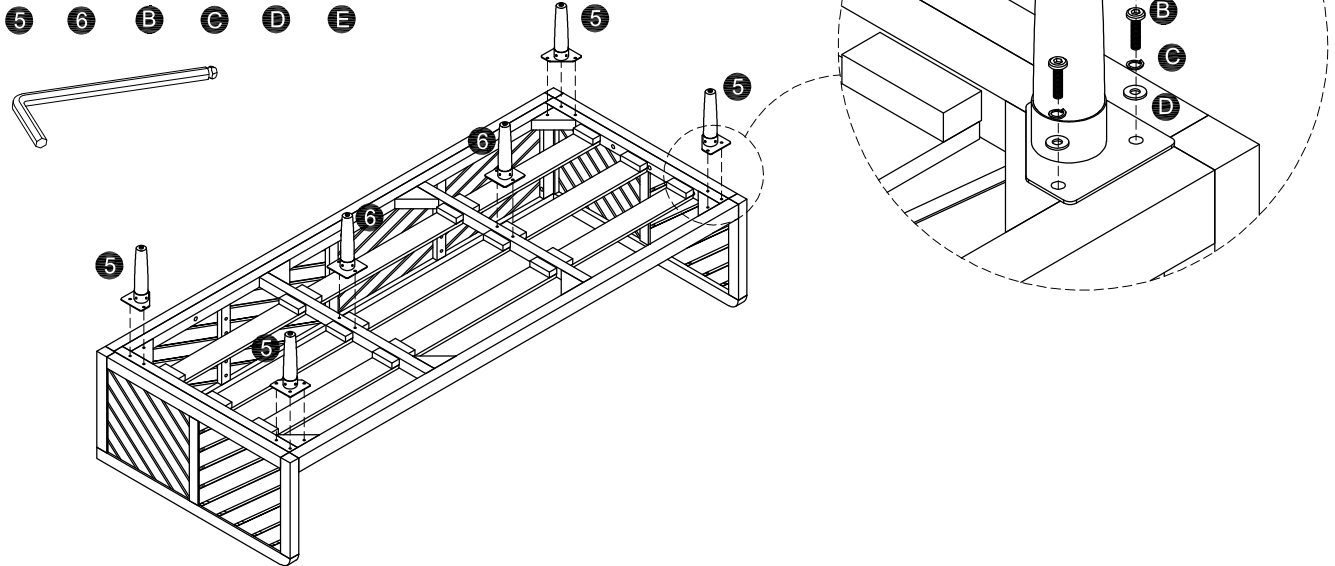
Attach the left side panel (3) and right side panel (4) by inserting the tenon located on either side of the back panel (2). For the remaining holes, insert Large allen bolt (A) and tightening with the Allen key (E) provided.

Product assembly

Franklin - 3 Seater Sofa
820 39512

Step 3

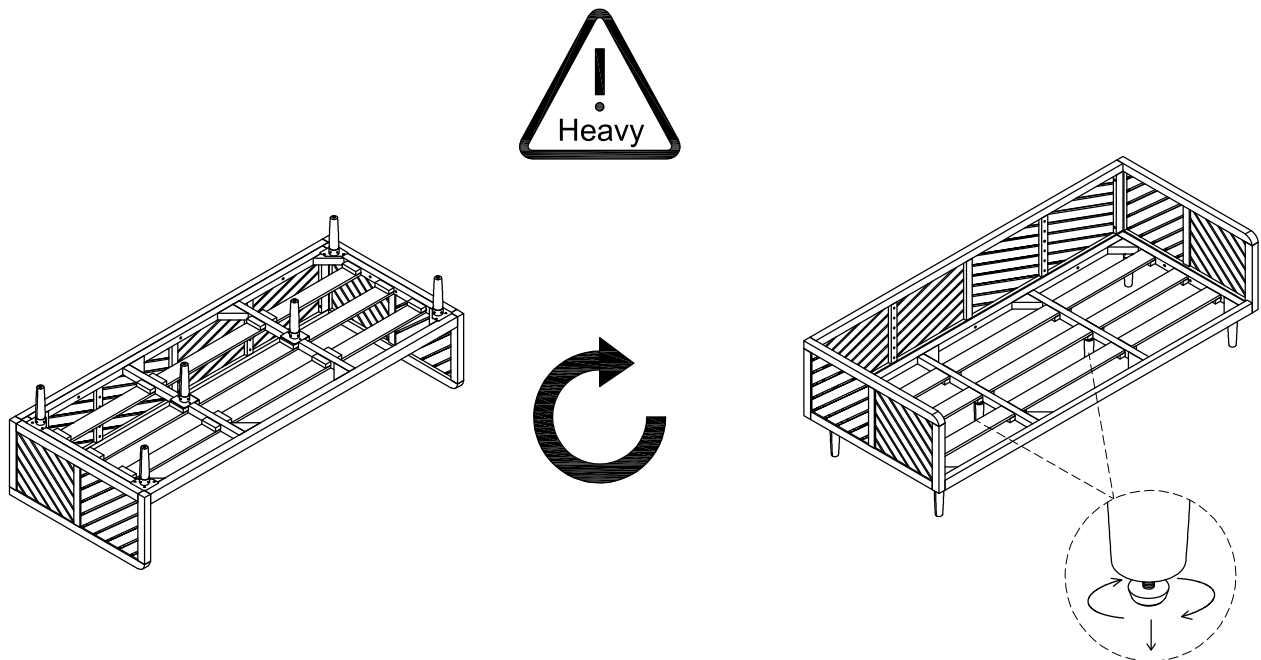
Parts, fittings and tools



With 2 people, carefully turn over the sofa to access the underside of the bottom panel. Locate the legs (5) and middle leg (6) and secure using the Small allen bolt (B), Lock washer (C), Washer (D) tightening with the Allen key (E) provided.

Step 4

Parts, fittings and tools



With 2 people, carefully place the sofa on its feet. Take care when lifting not to damage the legs. Once in position, turn the adjustable feet so it sits flat on the ground.

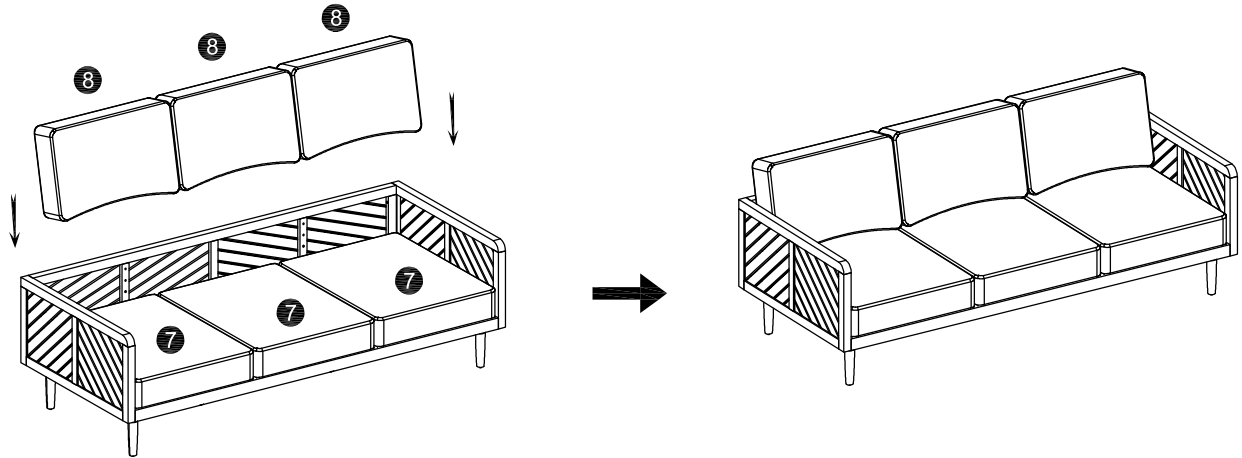
Product assembly

Franklin - 3 Seater Sofa
820 39512

Step 5

Parts, fittings and tools

7 8



Place the seat cushions (7) and back cushions (8) on the sofa.

Care and maintenance

How to care for your outdoor wooden furniture

Your furniture is made from solid FSC Acacia with a hand-applied oil finish. This oil finish helps maintain the appearance of your furniture and helps reduce the effects of weathering. To help maintain the furniture's appearance, we recommend that you re-finish your furniture each year. This can be done by lightly scrubbing with a brush, warm water and a small amount of washing-up liquid, waiting for the furniture to completely dry, then re-apply a branded outdoor furniture oil with a cloth and allowing it to dry.

Wash your outdoor furniture annually, scrub with soapy water followed by a thorough rinse. Do not use a power washer, it will damage the wood.

Periodically check all fixings to ensure none have come loose and re-tighten where necessary.

Wood is a natural material, it will expand and contract under different weather conditions causing small fractures to develop along the grain. This is not a fault and adds to the character and beauty of the product.

We recommend that all garden furniture is covered when not in use and stored for winter. Ensure your furniture is clean and completely dry before being covered. The cover must be breathable to prevent mildew and/or mould developing. If storing away, ensure the space is not heated but dry with good airflow.

How to care for your outdoor cushions

To keep outdoor cushions in the best possible condition, we recommend keeping them covered when not in use and/or in wet conditions (using a breathable cover) and store them inside over winter. Do not store in polythene bags or they may develop mould.

To clean the cushions, remove the covers and gently spot clean using upholstery shampoo or warm soapy water (with a mild detergent) to blot out any stains as soon as they occur.

Retain these instructions for future reference.

Do not stand on this product.

Maximum Load Capacity: 110kg per seat.

Number of Seats: 3

Your feedback is very important to us and we would love to hear your comments on your new furniture. Please visit our website to leave a review. Thank you.

John Lewis Partnership
171 Victoria Street
London SW1E 5NN
johnlewis.com