

Product information

- Outdoor use only
- Non-dimmable
- Replacement bulbs should be the same type and rating, available from John Lewis Partners or other established brands
- Clean the fitting with a soft dry cloth. Do not use abrasive chemical cleaners as this will damage the finish
- Glass parts - Just use a damp cloth. Do not use abrasive materials as these will damage the finish. Take care when handling glass parts to avoid damage or injury
- Do not use this product if the shade is cracked or damaged.
Do not use the product without the shade attached

Aftercare and Troubleshooting

You've switched on the light, but it's not working:

1. Check your power supply is switched on
2. Turn off the light and check that the bulb is inserted correctly
3. Check the bulb is still in working order

If there are technical issues with this product that you can't solve, please contact your nearest John Lewis & Partners shop or call Technical Support on 03301 230106.


Specification

Max power: 10W
Recommended bulb:
1 x 10W LED E27 GLS Filament bulb for maximum brightness.
Lower wattages are also suitable.
Rated input: 220 –240V, 50Hz
Bulb not included
IP rating: 44
Weight: 1.1kg

5-year guarantee

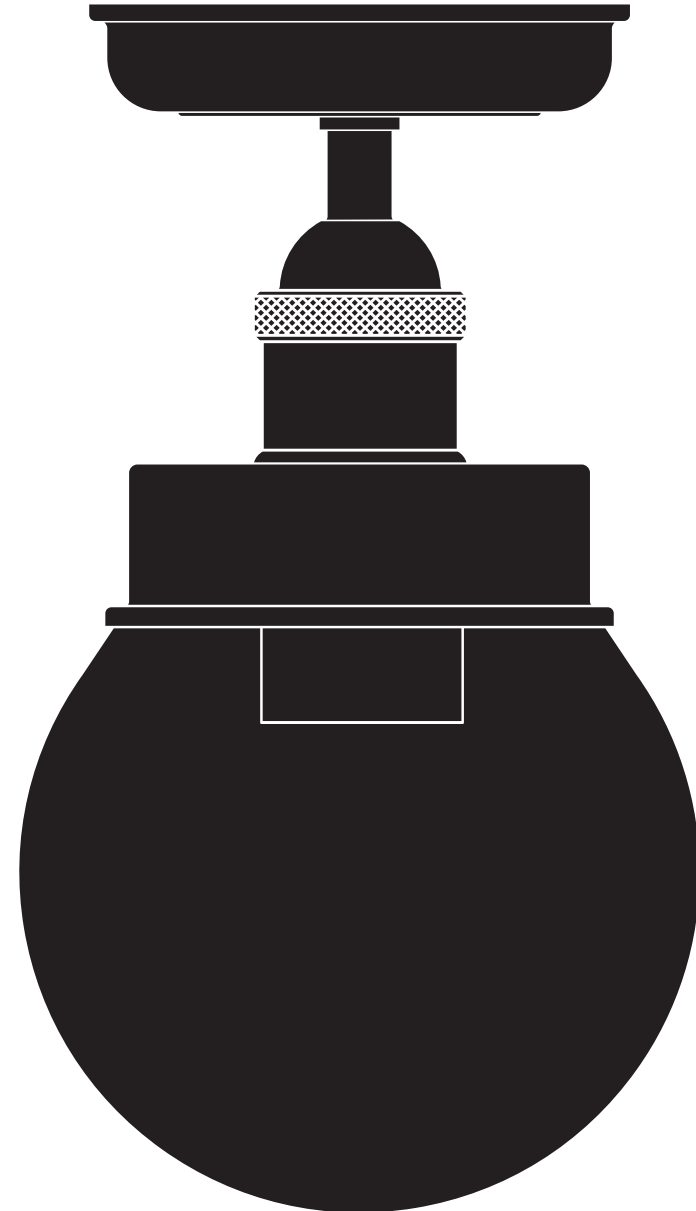
At John Lewis & Partners we test every light to high quality standards. That means we can offer you a 5-year guarantee.

Recycling

This symbol  indicates that this product should not be treated as normal household waste and it should be recycled. John Lewis & Partners do not operate instore take back, but as members of the Distributor Take Back scheme have funded the development and upgrade of recycling facilities across the UK. Please take it to your nearest collection facility or for further details contact your local council or visit www.recycle-more.co.uk.



HOMESTEAD OUTDOOR SEMI FLUSH LIGHT USER GUIDE



John Lewis plc
SW1V 2QQ
johnlewis.com

Made in China



13/05/2024

Please retain these instructions for future reference.



Product Code:
70272002

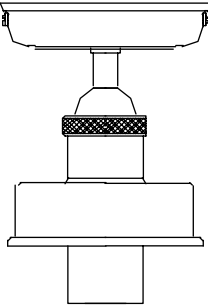
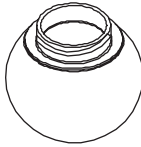
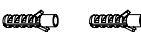

Getting started

Thank you for purchasing this John Lewis & Partners product. For your safety, and to make sure everything is working properly, please read the instructions carefully before use.

Warnings

This is a Class II product and must NOT be earthed. Please read these instructions carefully before commencing any work. It is recommended that this fitting is installed by a qualified electrician. Install in accordance with the IEE Wiring regulations and the Building Regulations. To prevent electric shock switch off at mains supply before installing or maintaining this fitting. Ensure other persons cannot restore the electrical supply without your knowledge. If you are in any doubt, please consult a qualified electrician. This light fitting should be connected to a 5 amp fused circuit. If replacing an existing fitting, make a note of the connections. This product is rated IP44 and is suitable for outdoor use. This product is suitable for installation on surfaces with normal flammability e.g. wood, plasterboard, masonry. It is not suitable for use on highly flammable surfaces (e.g. polystyrene, textiles). This product contains delicate parts – be careful during handling and maintenance to avoid breakage. For your safety, always switch off the supply before changing lightbulbs, cleaning or removing shades. Always take care when handling lightbulbs to avoid injury in case of breakage.

Parts list

Description	Image	Quantity
Light fitting		x 1
Shade		x 1
Wall plugs		x 2
Screws		x 2

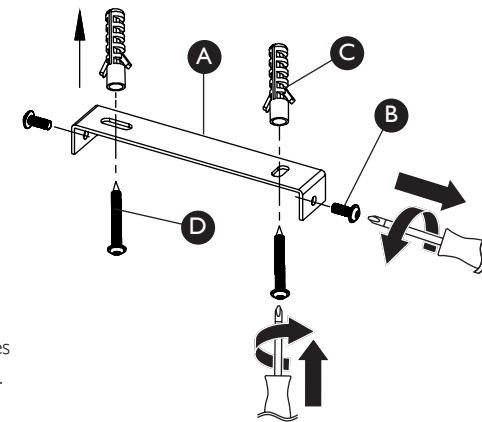
Product assembly

Step 1

Refer to assembly diagrams right. Carefully unpack the carton, making sure all the parts are present before assembly. Before removing the existing fitting, carefully note the position of each set of wires.

Step 2

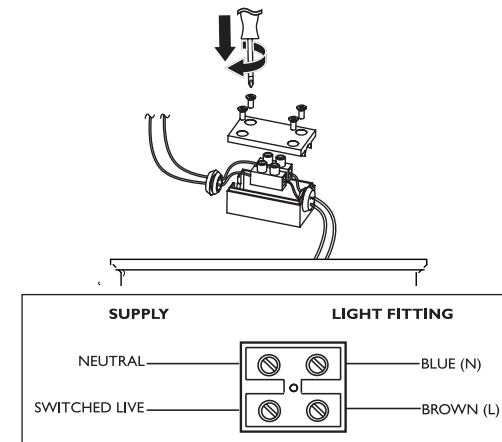
Remove the fixing bracket (A) from the product by unscrewing the two side screws (B) and retain for reuse. Ensure there is a solid mounting surface to support the weight of the light fitting. Using the fixing bracket as a template, mark the position of the mounting holes. Drill holes and fit supplied wall plugs (C) (suitable for masonry only). Take care to avoid damaging any concealed wiring and pipes. Fix the bracket to the ceiling using supplied screws (D).



Step 3

Remove the terminal box lid and set aside. Having identified the household wiring from your existing light fitting, connect to the outdoor rated connection block inside the product in the following way. Once complete, refit the terminal box lid securely.

Check that: You have correctly identified the house wires. The connections are tight. No loose strands have been left out of the connection block and the exposed ends of the wires are completely enclosed inside the connection block. Ensure the grommet is in place to maintain IP rating. The terminal box lid is refitted securely.



Step 4

Re attach to the fixing bracket using the two side screws removed in step 2 and tighten to secure. Take care not to trap any wiring.

Step 5

Fit the recommended bulb (E) as per the details overleaf.

Step 6

Fit the shade (F) by screwing onto the lampholder in a clockwise direction. Ensure the seal is tight to maintain ingress protection.

Step 7

Replace fuse or circuit breaker and switch on. Your light is now ready for use.

