

## Product information

- Indoor use only
- Dimmable - When used with dimmable bulbs
- Replacement bulbs should be the same type and rating, available from John Lewis Partners or other established brands
- Clean the fitting with a soft dry cloth. Do not use abrasive chemical cleaners as this will damage the finish

## Aftercare and Troubleshooting

### You've switched on the light, but it's not working:

1. Check your power supply is switched on
2. Turn off the light and check that the bulb is inserted correctly
3. Check the bulb is still in working order

If there are technical issues with this product that you can't solve, please contact your nearest John Lewis & Partners shop or call Technical Support on 03301 230106.

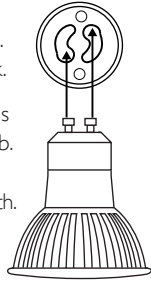
## Specification

Max power: 5 x 7W  
Recommended bulb: 7W LED GU10 bulb for maximum brightness.  
Lower wattages are also suitable.  
Rated input: 220 –240V, 50Hz  
Bulbs not included  
IP rating: 20  
Weight: 2.4kg

### Fitting a GU10 bulb

Fit bulb pins into round holes.  
Then twist clockwise to lock.


Ensure the bulb fitting tool is clean prior to fitting the bulb.  
Any traces of dust can be wiped away with a damp cloth.



## 5-year guarantee

At John Lewis & Partners we test every light to high quality standards. That means we can offer you a 5-year guarantee.

## Recycling

This symbol  indicates that this product should not be treated as normal household waste and it should be recycled. John Lewis & Partners do not operate in-store take back, but as members of the Distributor Take Back scheme have funded the development and upgrade of recycling facilities across the UK. Please take it to your nearest collection facility or for further details contact your local council or visit [www.recycle-more.co.uk](http://www.recycle-more.co.uk).

John Lewis plc  
SW1V 2QQ  
[johnlewis.com](http://johnlewis.com)

Made in China

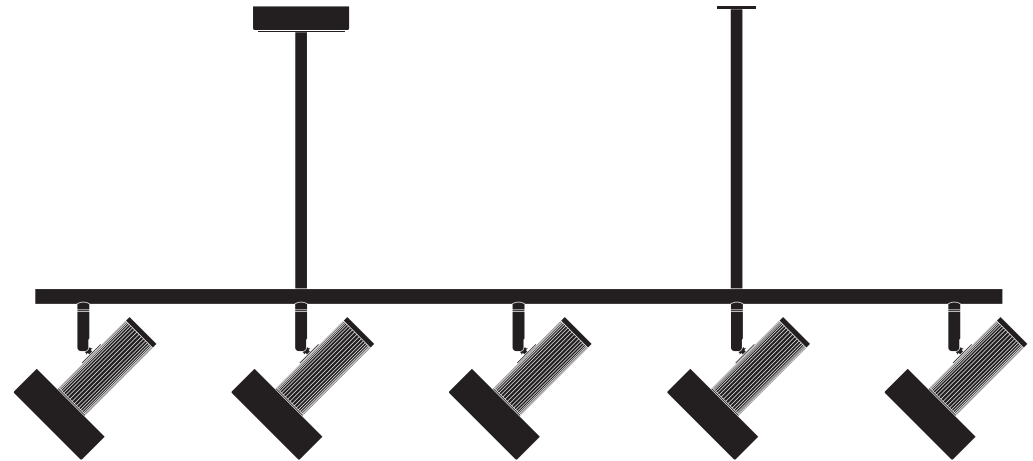


15/11/2023

Please retain these instructions for future reference.



# LEIGHTON 5 LIGHT SPOTLIGHT BAR USER GUIDE



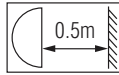
Product Code:  
10522202

## Getting started

Thank you for purchasing this John Lewis & Partners product. For your safety, and to make sure everything is working properly, please read the instructions carefully before use.

## Warnings

This is a Class 1 product and must be earthed.  
It is recommended that this fitting is installed by a qualified electrician.  
Install in accordance with the IEE Wiring regulations and the Building Regulations.  
To prevent electrocution switch off at mains supply before installing or maintaining this fitting. Ensure other persons cannot restore the electrical supply without your knowledge.  
If you are in any doubt, please consult a qualified electrician.  
This light fitting should be connected to a 5 amp fused circuit.  
If replacing an existing fitting, make a note of the connections.  
Always use the correct type and wattage bulb. Never exceed the wattage stated.  
Dispose of used bulbs carefully.  
GU10 LED bulbs up to 7W can be used - but ensure that the minimum distance to the illuminated surface is not less than 0.5m (50 cm).  
This product is suitable for installation on surfaces with normal flammability e.g. wood, plasterboard, masonry. It is not suitable for use on highly flammable surfaces (e.g. polystyrene, textiles).  
For your safety, always switch off the supply and allow the fitting to cool down before changing lightbulbs, cleaning or adjusting heads.



## Parts list

Description	Image	Quantity
Light fitting		x 1
Hex key		x 1
Shade fixing tool		x 1
Bulb fitting tool		x 1
Wiring sleeve		x 1
Wall plugs		x 3
Screws		x 3

## Product assembly

### Step 1

Carefully unpack the carton, making sure all the parts are present before assembly. Before removing the existing fitting, carefully note the position of each set of wires.

### Step 2

This product has been packed with the stems detached. It will be necessary to refit the stem before wiring and fixing to the ceiling. It is possible to add or remove stems to achieve desired length. See Fig. 1. To achieve maximum drop, screw stem (A) onto the ceiling cup (B). Take care not to trap any wiring or cross the threads.  
Pull any excess cable through from the top of the ceiling cup. It may be necessary to turn the stem anticlockwise before fixing into place to avoid twisting the internal cable. Tighten to secure and screw the stems (A & C) onto the light fitting. Take care not to rotate more than 360° when installing and in use.

The overall drop can be reduced by removing sections of the stems (A & C). In order to do this, disconnect the cable from the terminal block, remove the stems, screw the parts together until fully tightened and reconnect the cable into the terminal block. If you are unsure how to do this, we recommend you contact a qualified electrician.

**Note:** To make it easier to push the cable through the stem, cover the ends of the cable with the supplied sleeve and push through the stem.

### Step 3

Remove the fixing bracket (D) from the product by unscrewing the two side screws (E) and fixing plate (F) by unscrewing the grub screw using the hex key (G) provided.

Ensure there is a solid mounting surface to support the weight of the light fitting. Using the fixing bracket and plate as a template, mark the position of the mounting holes. Drill holes and fit supplied wall plugs (H) (suitable for masonry only). Take care to avoid damaging any concealed wiring and pipes.

### Step 4

Fix both the bracket and plate to the ceiling using supplied screws (I).

### Step 5

Screw the metal connector (J) into the top of stem (C) (or fitting body if not using the stem).

### Step 6

Having identified the household wiring from your existing light fitting, connect to the connection block (K) inside the product.

Check that:  
You have correctly identified the house wires.

The connections are tight.  
No loose strands have been left out of the connection block.

### Step 7

Re attach the ceiling cover (B) to the fixing bracket using the two screws (E) and metal connector (J) with the grub screw and hex key. Tighten to secure. Take care not to trap any wiring.

### Step 8

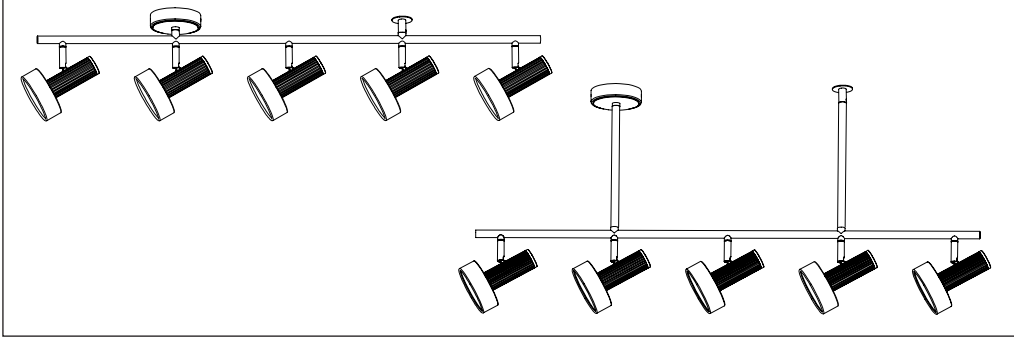
The shades may become loose during transit. To tighten the shades, use the supplied fixing tool (L).

### Step 9

Using the supplied tool (M) fit the recommended bulbs (N) as per the details overleaf. Your light is now ready for use.

**Note:** The position of the heads can be adjusted to the appropriate angle as needed.

Height options - Fig.1



Wiring

