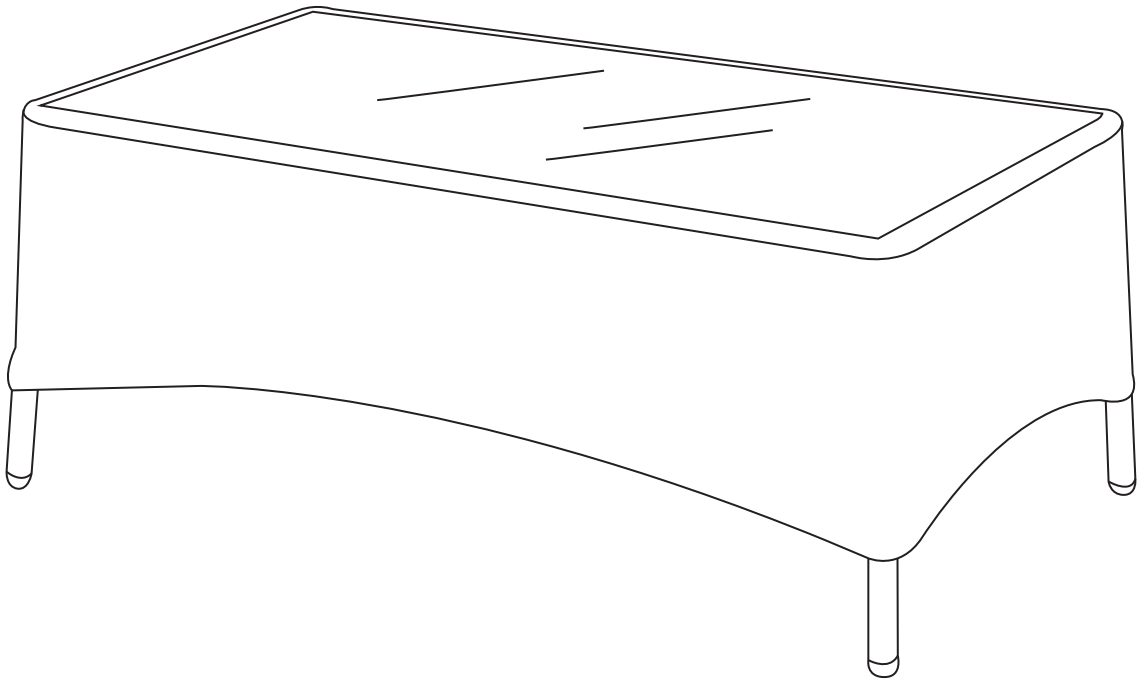




Rye Coffee Table Rectangle

Stock number: 820 89417



H38 W97 D54cm

Thank you for purchasing the Rye Coffee Table Rectangle. Please read the instructions and warnings carefully before use, to ensure safe and satisfactory operation of this product.

At John Lewis, we are committed to making great products possible.

From our outdoor Furniture Design Team, to our Buyers, we work together to bring great design to life.

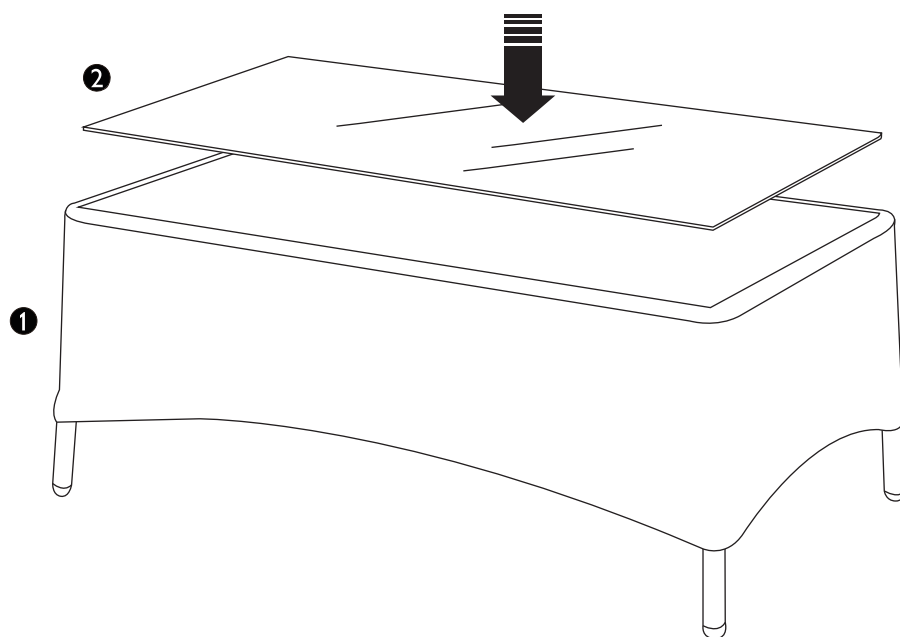
Our expert Product Technologists work collaboratively with our buyers and suppliers to assure the legality, safety and quality of the product we sell.

We are all committed to designing and developing products to the highest industry standards.

We hope you are happy with your product and welcome any feedback or comments you may have.

The John Lewis Team

Your Rye Coffee Table Rectangle



Ref	Description	Dimensions	Qty
❶	Table	970X540X380MM	1
❷	Glass	900X460X5MM	1

Internal dimensions

Stock number: 82089417

Rye coffee table Overall Dimensions: H38 W97 D54cm

Care guide

Care and maintenance

This product is made from Aluminium and is suitable for outdoor use.

Never drag furniture when moving it, always lift it.

Periodically check all fixings to ensure none have loose and re-tighten where necessary.

Please take care when handling or moving the furniture as careless handling may cause damage or injury.

Furniture can be dangerous if incorrectly installed. Assembly should be carried out by a competent person. No liability will be accepted for damage or injury caused by incorrectly installed or assembled furniture.

Use glass cleaner or soapy water for cleaning, do not use anything abrasive as this may damage the surface of the product

Handle with care! A damaged edge or scratched surface can in rare cases cause the glass to fail unexpectedly into many small pieces. Glass is most vulnerable when struck from the side.

If the glass is chipped or broken stop using the product and consult the manufacturer or supplier.

WARNING:

- a) Do not place very hot or very cold items directly on glass surfaces.
- b) Do not sit or stand on glass surfaces.
- c) Do not strike the glass with hard or pointed items, or use the glass as a chopping surface.
- d) Do not use washing powders or any other substances containing abrasives, as these may scratch the glass.

Your feedback is very important to us and we would love to hear your comments on your new furniture. Please visit our website to leave a review. Thank you.

Retain these instructions for future reference

John Lewis Plc
SW1V 2QQ
johnlewis.com