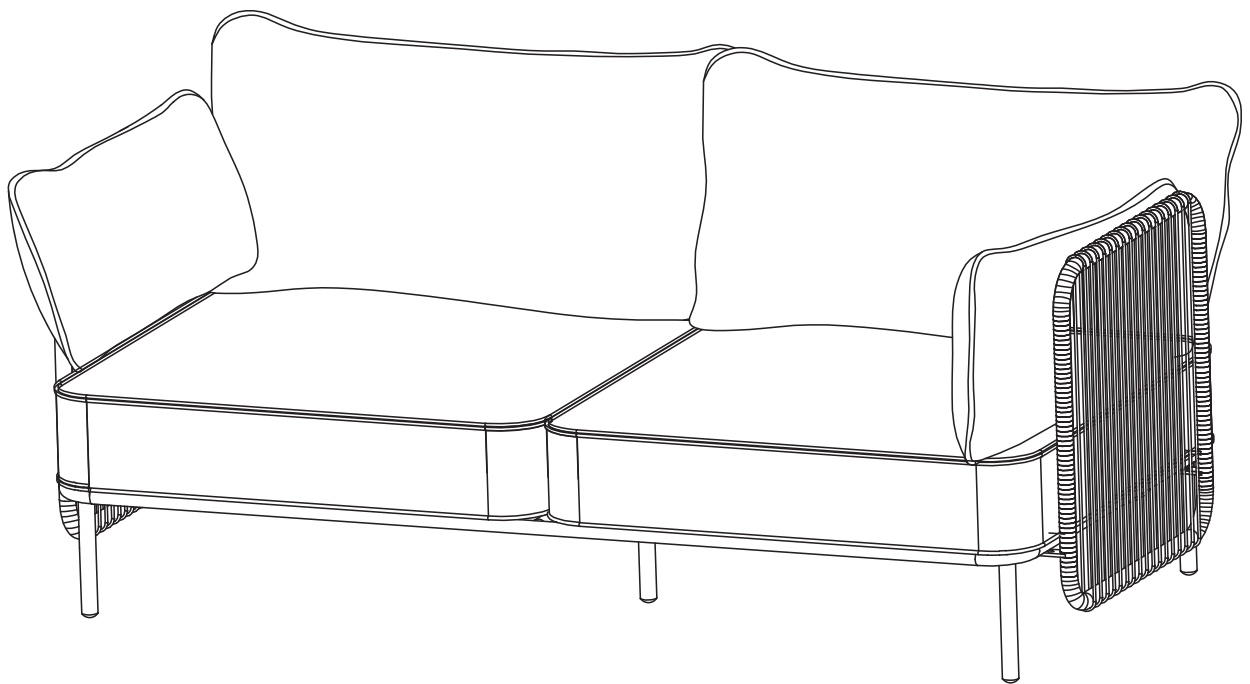


Reed modular lounge set-sofa

Stock number: 82009101

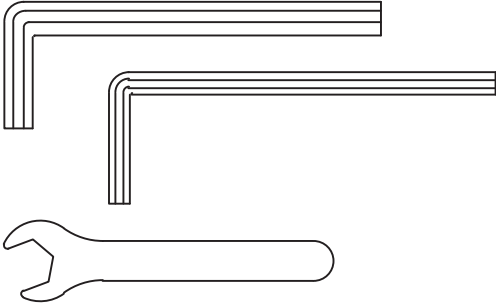


H63 W166.5 D84cm

Thank you for purchasing the Reed modular lounge set-sofa. Please read the instructions and warnings carefully before use, to ensure safe and satisfactory operation of this product.
At John Lewis, we are committed to making great products possible.
From our outdoor furniture Design Team, to our Buyers, we work together to bring great design to life.
Our expert Product Technologists work collaboratively with our buyers and suppliers to assure the legality, safety and quality of the product we sell.
We are all committed to designing and developing products to the highest industry standards.
We hope you are happy with your product and welcome any feedback or comments you may have.

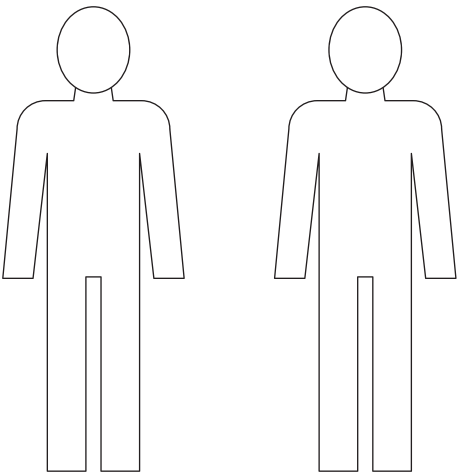
The John Lewis Team

Tools required



Time to assemble
15 Mins

People to assemble



Important safety information

Warnings

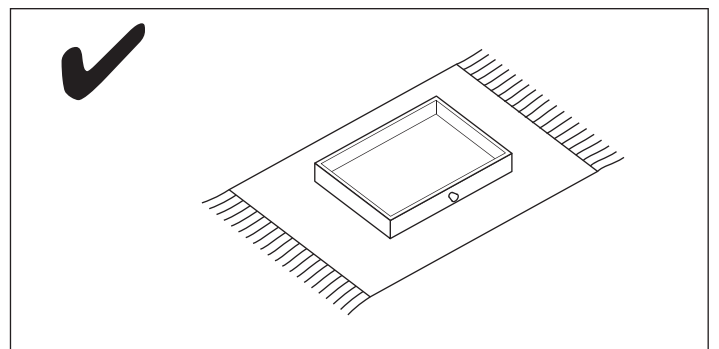
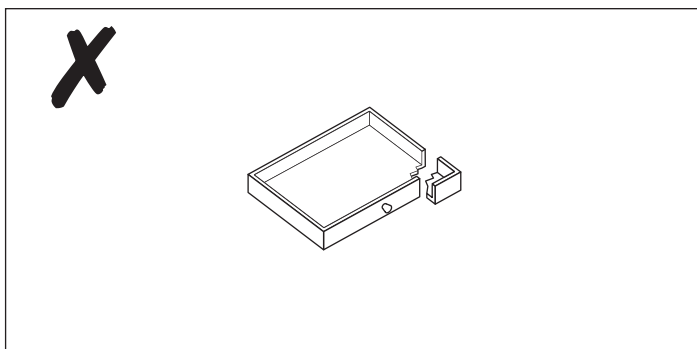
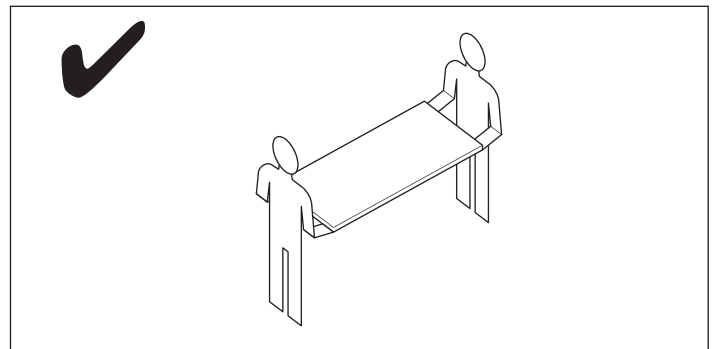
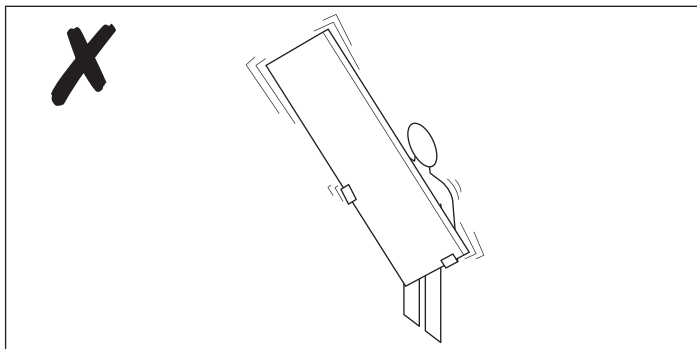
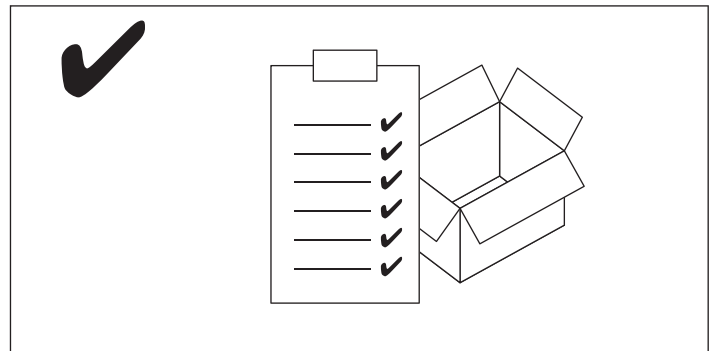
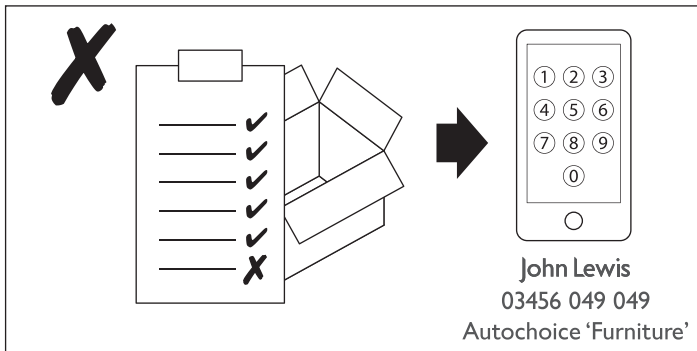
- ⚠ The product should only be used on firm, level ground.
- ⚠ Keep small parts out of reach of children.
- ⚠ Ensure the product is fully assembled as illustrated before use.

Do's

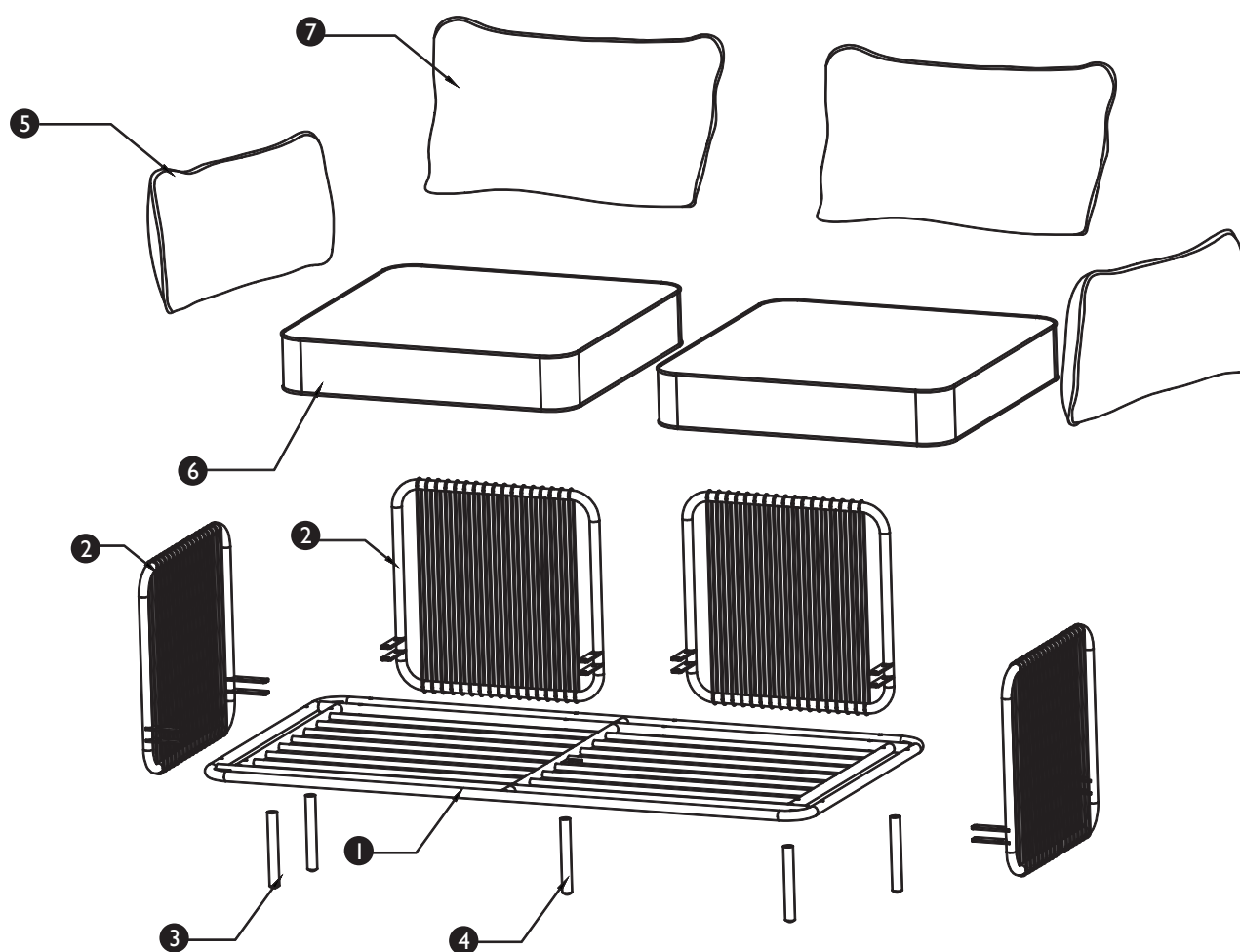
- ✓ Check the pack and make sure you have all the parts listed.
- ✓ Check all screws or bolts are tightened and inspect regularly.
- ✓ Make sure the legs remain in contact with the ground at all times.

Don'ts

- ✗ Do not over tighten screws or bolts.
- ✗ Do not stand on the product.
- ✗ Do not use power tools to construct as overtightening and panel failure may occur.



Your sofa



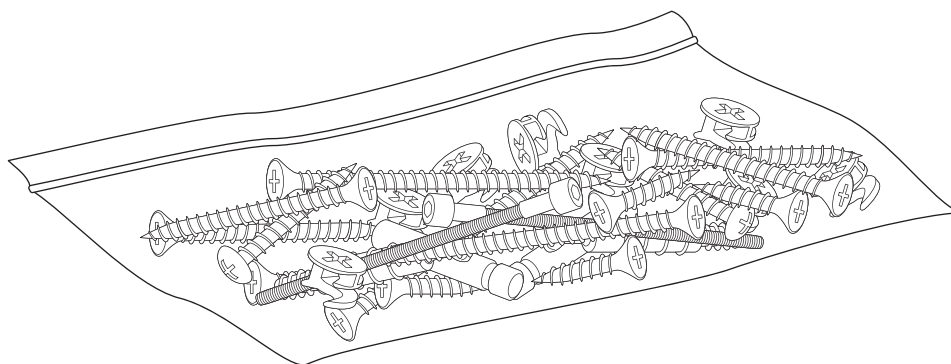
Ref	Description	Dimensions	Qty
1	Seat frame	1606 x 806mmmm	1
2	Back/armrest frame	566 x 550mm	6
3	Leg frame	25 x 198mm	4
4	Leg frame	25 x 193mm	1
5	Pillow	580 x 280mm	2
6	Seat cushion	800 x 800mm	2
7	Back cushion	830 x 480mm	2

Internal dimensions



Stock number: 82009101

Bench overall size: H63 W166.5 D84cm








Fixtures and fittings



Fixtures and fittings
supplied (actual size)

Ref	Description	Dimensions	Qty	mm
A	Screw	6mmx45mm	12	
B	Screw	10mmx30mm	4	

Fixtures and fittings
supplied (not actual size)

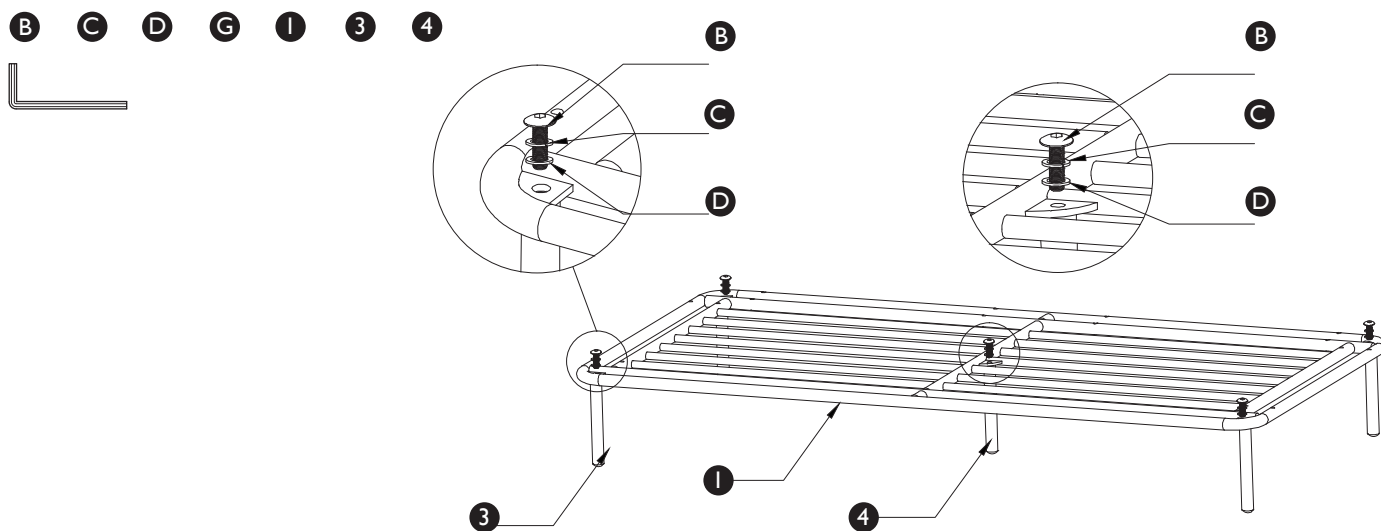
Ref	Description	Dimensions	Qty	
C	Washer	D10x1mm	5	
D	Washer	D10x1.5mm	5	
E	Washer	D6x1mm	16	
F	Nut	M6x5mm	16	
G	Allen key	S6	1	
H	Allen key	S4	1	
I	Spanner		1	

Product assembly

Reed modular lounge set-sofa
82009101

Step 1

Parts, fittings and tools



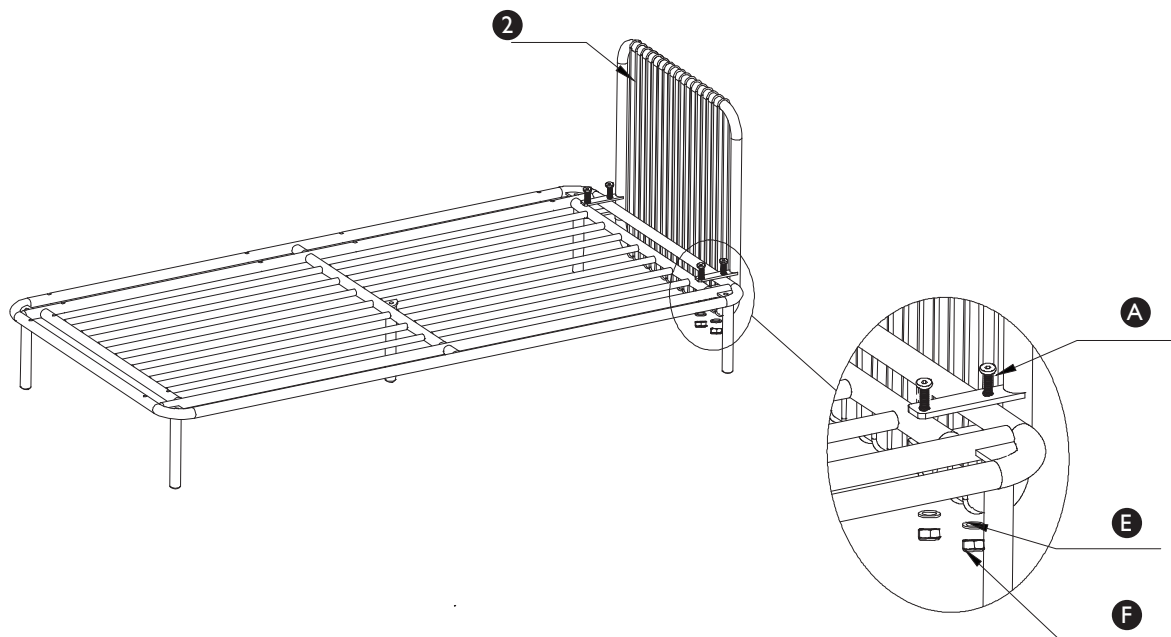
Step 2

Parts, fittings and tools

A E F H I 2 3



IMPORTANT: Do not fully tighten until 4 screws all in position.



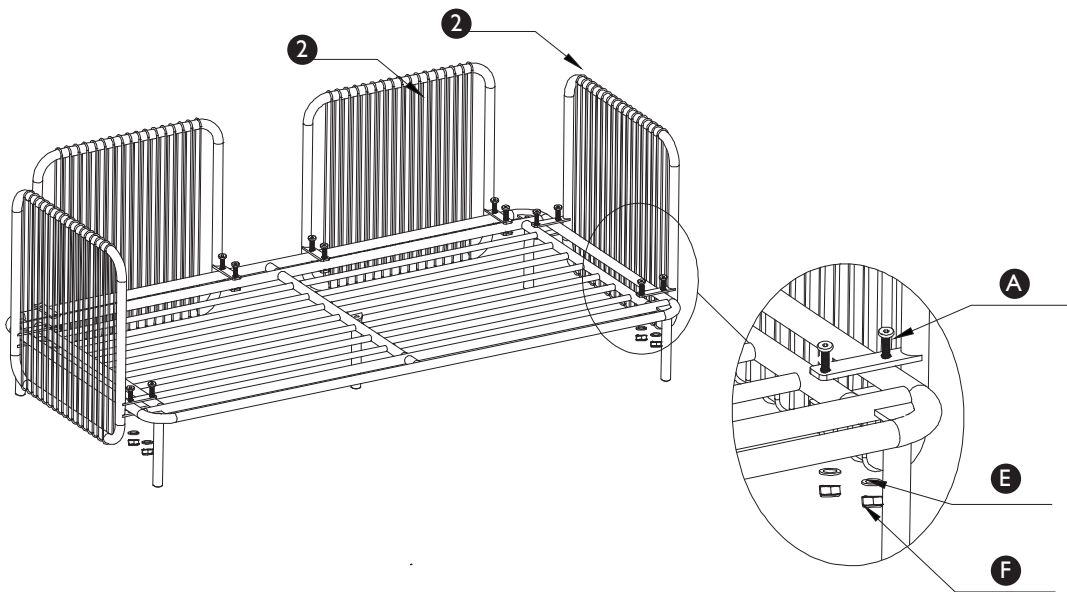
Product assembly

Reed modular lounge set-sofa
82009101

Step 3

Parts, fittings and tools

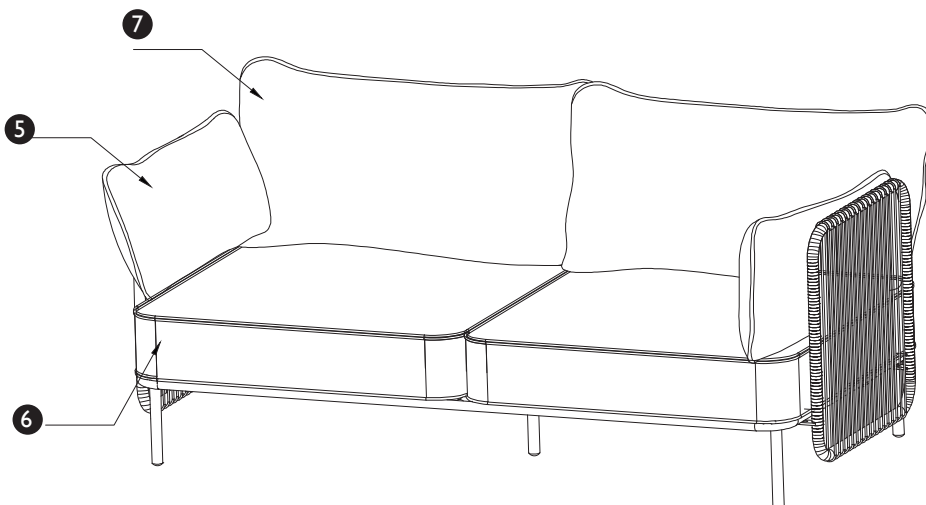
- A** **E** **F** **H** **I** **2** **3**



Step 4

Parts, fittings and tools

- 5** **6** **7**

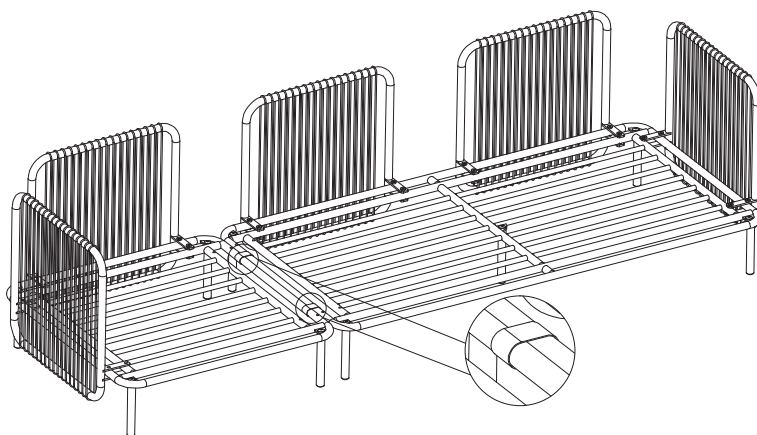
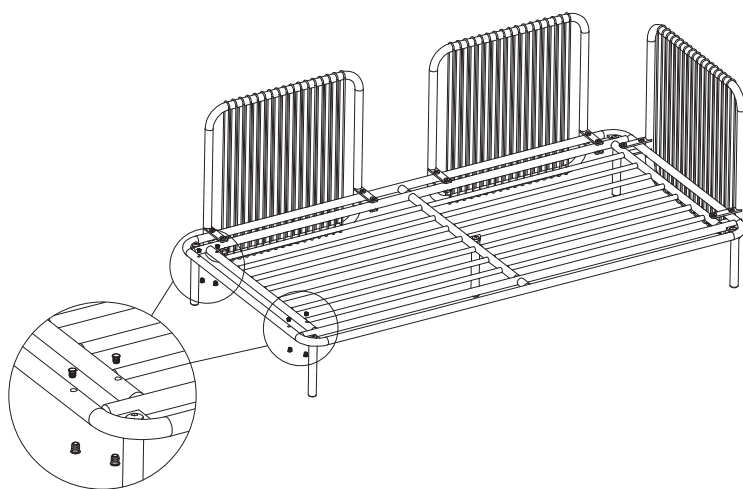
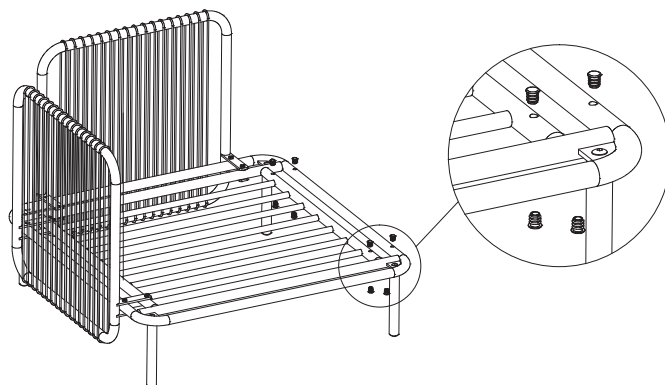


Place the cushions into the frame, the sofa now is ready for use.

User guide

Reed modular lounge set-sofa
82009101

Plug caps and velcros are provided for connect the chair with sofa as a different combination



Care guide

Care and Maintenance

Do not use a wire brush when removing dirt from this item as it may damage the paint leaving the surface open to corrosion.

To extend the product life and appearance it is advisable to store the furniture in a cool dry place over winter. Ensure that the furniture is clean and completely dry before putting in to storage. Do NOT enclose the product in a plastic or other non-permeable material as this creates moisture.

Safety Instructions

Never drag furniture when moving it, always lift it.

Periodically check all fixings to ensure none have come loose and re-tighten where necessary.

Please take care when handling or moving the furniture as careless handling may cause damage or injury.

This furniture has been designed for domestic use only.

Do not use the sofa as a ladder.

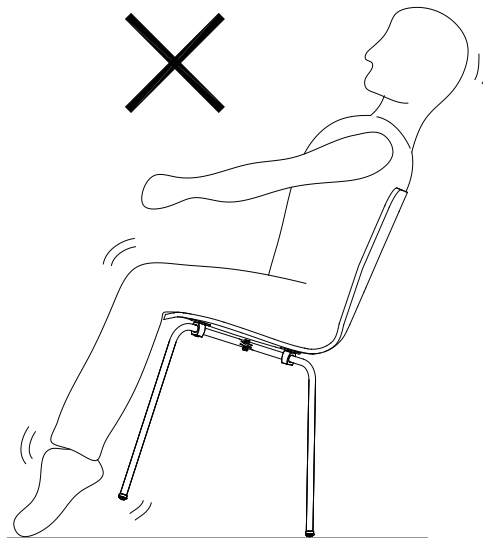
Furniture can be dangerous if incorrectly installed. Assembly should be carried out by a competent person.

No liability will be accepted for damage or injury caused by incorrectly installed or assembled furniture.

Never tilt the sofa. Ensure the sofa is always placed firmly on the ground.

Regularly check leg attachment and retighten screws as necessary.

Do not use sofa if legs are unstable. Please check fixings and tighten as required.



PLEASE RETAIN THIS INFORMATION LEAFLET FOR FUTURE REFERENCE