



INFINITY CANE DINING TABLE

H73,5 W120 D120CM

USER GUIDE



Product code:
820 81305

Getting started

Thank you for purchasing the Infinity Lounge chair. Please read the instructions and warnings carefully before use, to ensure safe and satisfactory operation of this product. At John Lewis, we are committed to making great products possible. From our inhouse Design Team, to our Buyers, we work together to bring great design to life. Our expert Product Technologists work collaboratively with our buyers and suppliers to assure the legality, safety and quality of the product we sell.

We are all committed to designing and developing products to the highest industry standards. We hope you are happy with your product and welcome any feedback or comments you may have.

John Lewis & Partners

Important safety information

The product should only be used on firm, level ground.
Keep small parts out of reach of children.
Ensure the product is fully assembled as illustrated before use.

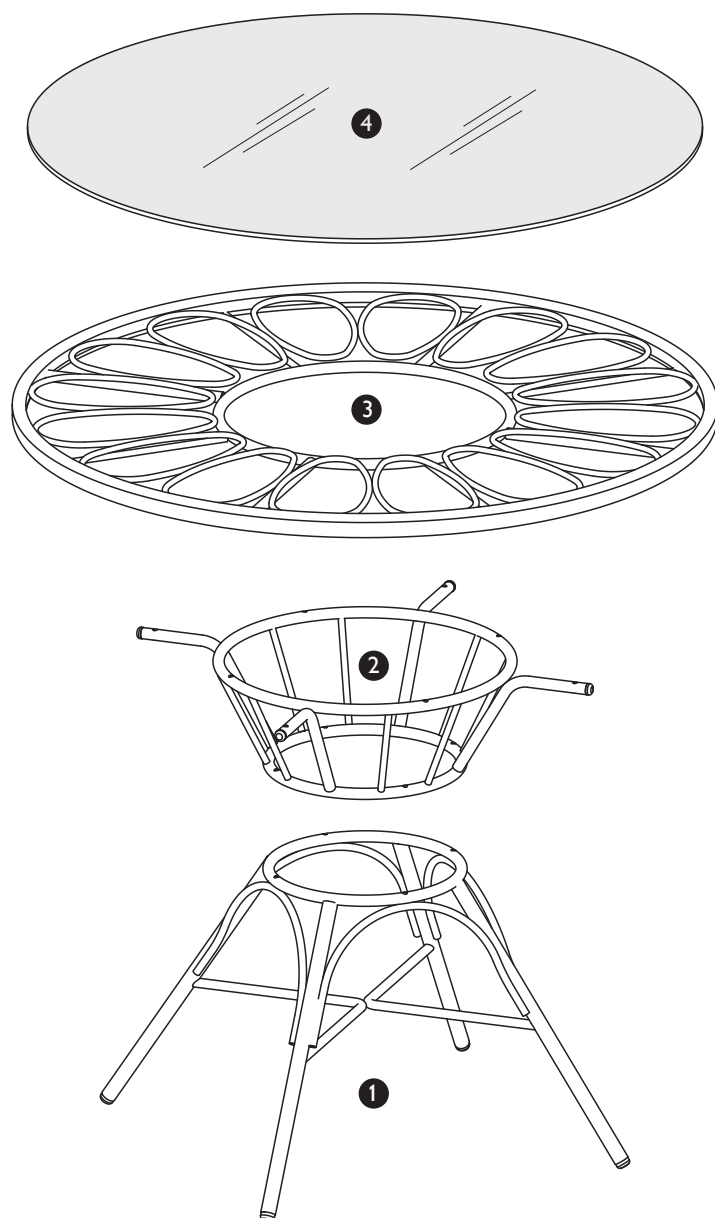
Do's

Check the pack and make sure you have all the parts listed.
Check all screws or bolts are tightened and inspect regularly.
Make sure the legs remain in contact with the ground at all times.

Don'ts

Do not over tighten screws or bolts.
Do not stand on the product.
Do not use power tools to construct as overtightening and panel failure may occur.

Your dining table



Ref	Description	Dimension	Qty
①	Table leg	H495 x W685 x D685 mm	1
②	Support frame	H210 x W825 x D825 mm	1
③	Table top	H45 x W1200 x D1200 mm	1
④	Glass	H8 x W1150 x D1150 mm	1

Stock number: 820 81305

Table overall size: H73,5 W120 D120cm

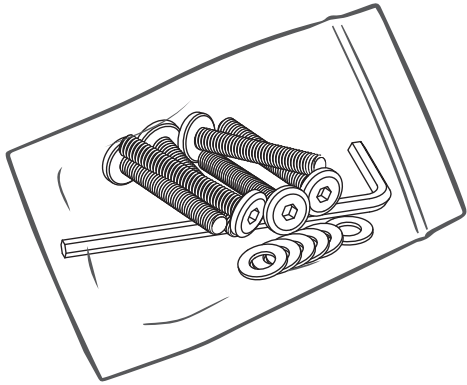
How to care for your outdoor furniture

- To extend the product life and appearance it is recommended to store the furniture in a cool dry, well ventilated place such as a garage or shed over winter or during periods of unseasonal weather.
- Ensure that the furniture is clean and completely dry before putting in to storage. Do NOT enclose the product in a plastic or other non-permeable material as this promotes the growth of mildew and mould. Cover it with a dust sheet or furniture cover allowing the air to circulate around it.
- We recommend that you clean your furniture at the beginning and end of the season. To clean the furniture remove all dirt using mild soap and water. Never use abrasive chemicals or cleaning agents. Rinse thoroughly and allow to dry. Bird droppings and tree sap should be cleaned off immediately.

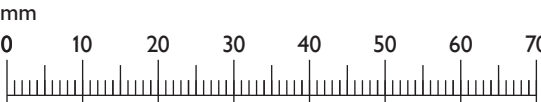
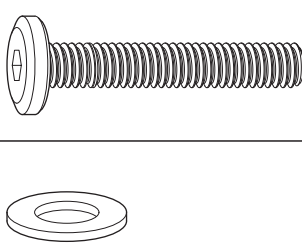
Safety instructions

- This furniture has been designed for domestic use only
- Furniture can be dangerous if incorrectly installed or assembled, it should be carried out by a competent person.
- No liability will be accepted for damage or injury caused by incorrectly installed or assembled furniture.
- It is recommended that before moving heavy objects to a new location they are completely disassembled to avoid personal injury or damage to the furniture. Please be careful to retain all fittings when doing this.
- Never drag furniture when moving it, always lift it.
- Never tilt the table. Ensure the table is always placed firmly on the ground. Regularly check leg attachment and retighten screws as necessary
- Do not use table if legs are unstable. Please check fixings and tighten as required.
- Please take care when handling or moving the furniture as careless handling may cause damage or injury.
- Ensure that the furniture is always on a solid and level surface at all times.


Fixtures and fittings




Fixtures and fittings
supplied (actual size)

Ref	Description	Dimension	Qty	mm
A	Allen head bolt	M6mm x 35mm	12	
B	Flat washer	Ø6,5mm/Ø16mm x 1mm	12	

Fixtures and fittings
supplied (not actual size)

Ref	Description	Dimension	Qty
C	Allen key #4	 4mm	1



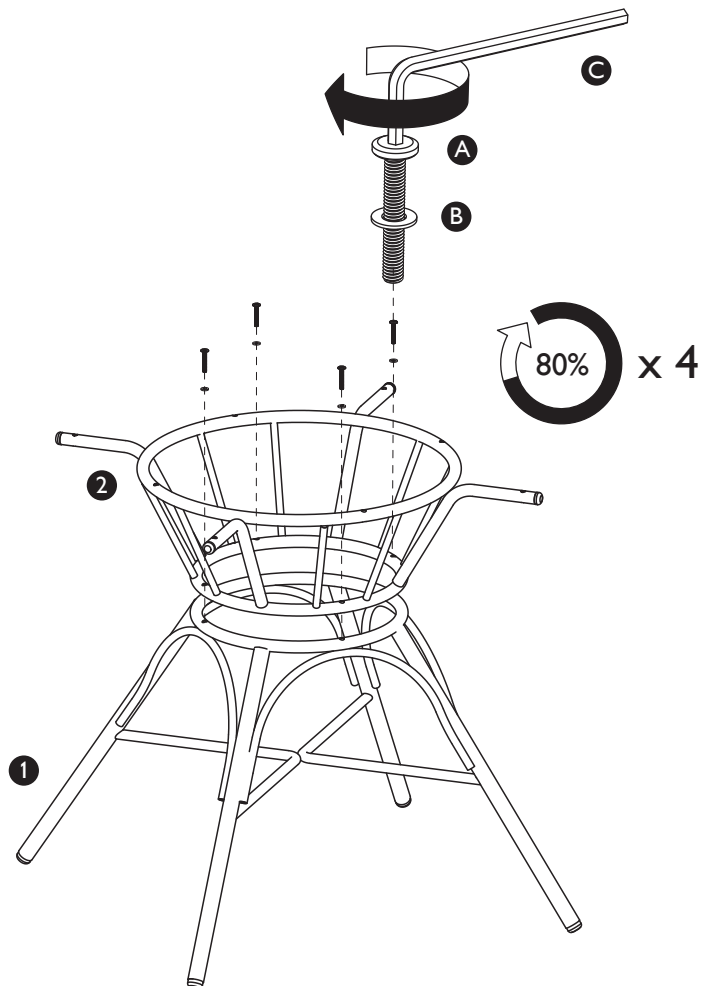
Product assembly

Infinity dining table
820 81305

Step 1

Parts, fittings
and tools

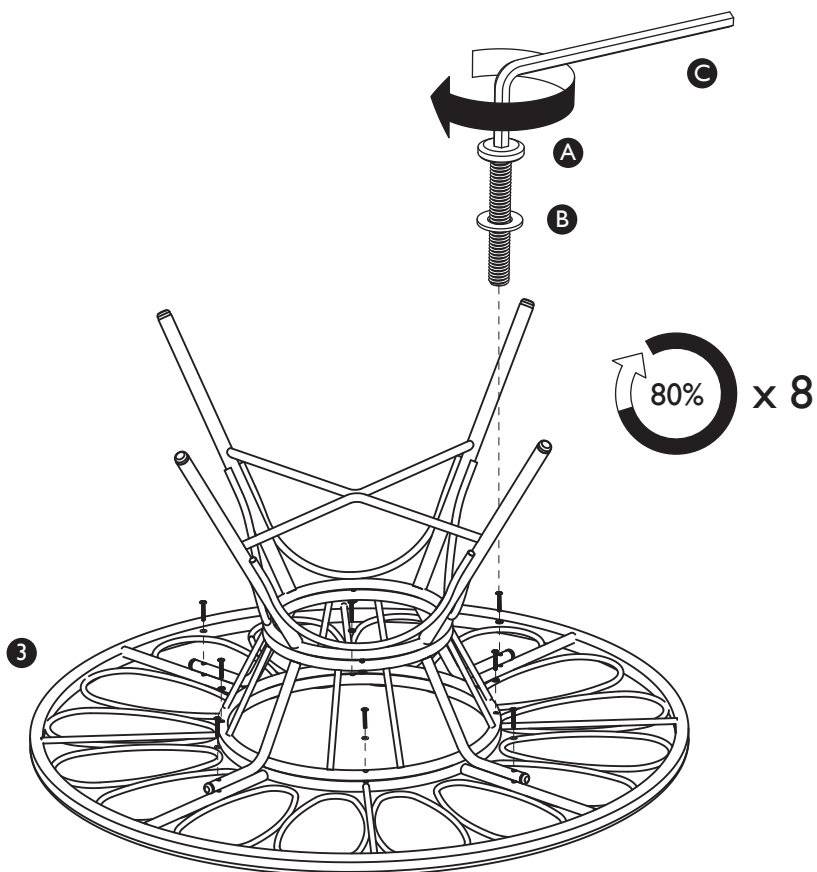
A B C 1 2



Step 2

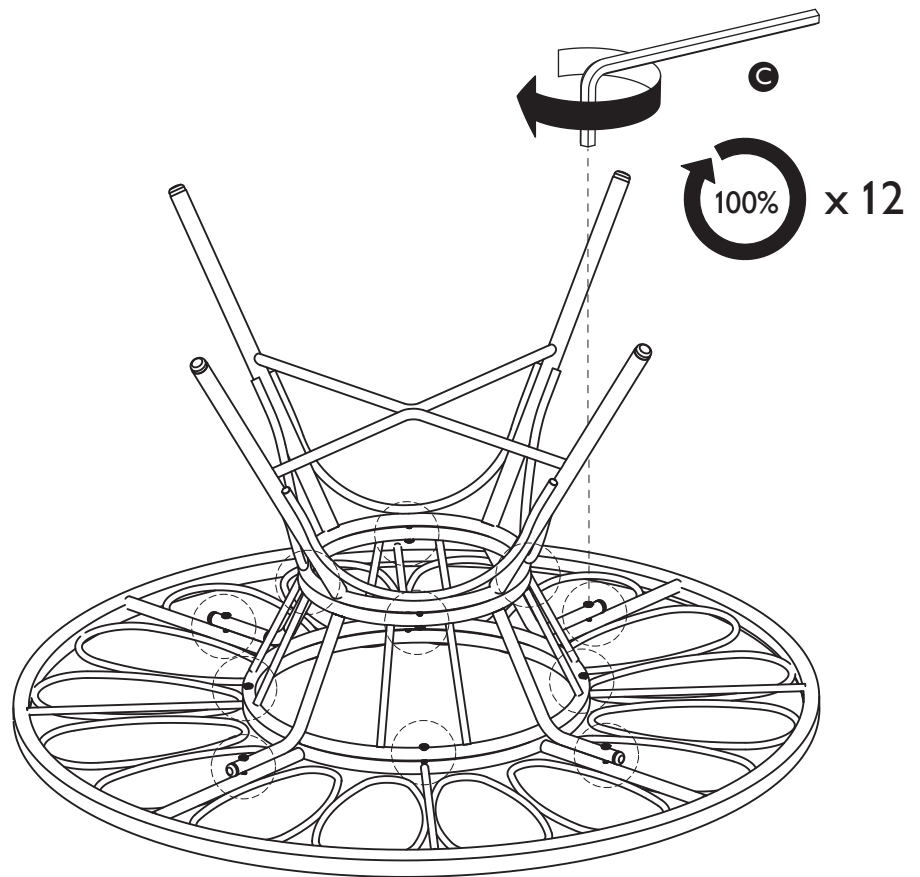
Parts, fittings
and tools

A B C 3



Step 3

Parts, fittings
and tools



Step 4 Final assembly

Parts, fittings
and tools



John Lewis Partnership
171 Victoria Street
London SW1E 5NN
johnlewis.com

Made in Vietnam

Please retain these instructions for future reference