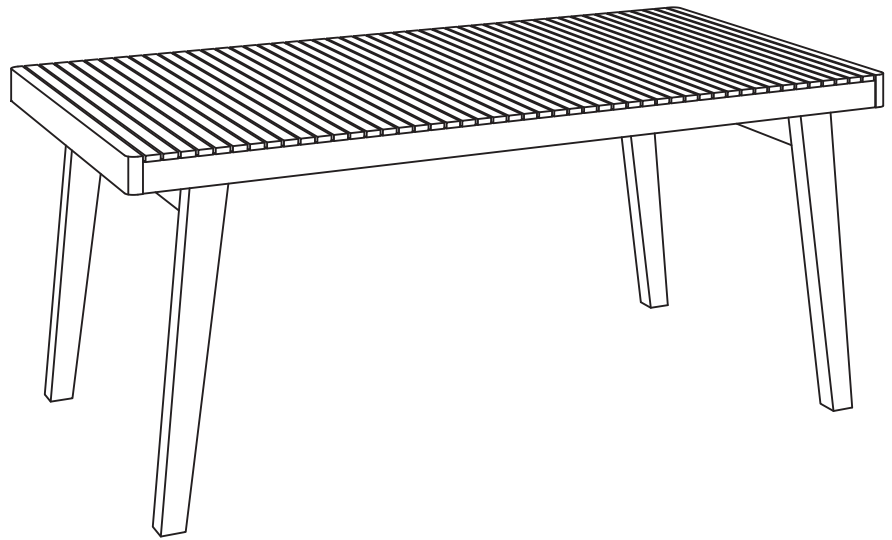


Mona dining table

Stock number: 820 31804



H74 W175 D90cm

Thank you for purchasing the John Lewis and Partners Mona Dining Table . Please make sure you read the instructions and warnings carefully before proceeding to ensure safe and satisfactory operation of this product. At John Lewis and Partners we are committed to making great products.

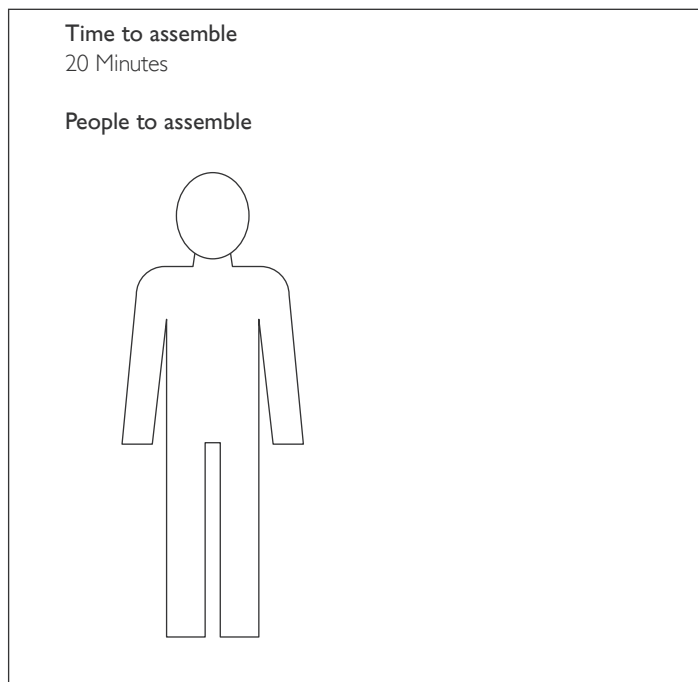
From our in-house Design Team to our Buyers, we work together to bring great design to life.

Our expert Product Technologists work collaboratively with our Buyers and Suppliers to ensure the legality, safety, and quality of the product we sell.

We are all committed to designing and developing products to the highest industry standards.

We hope you are happy with your product and welcome any feedback or comments you may have.

The John Lewis and Partners team.



Important safety information

Warnings

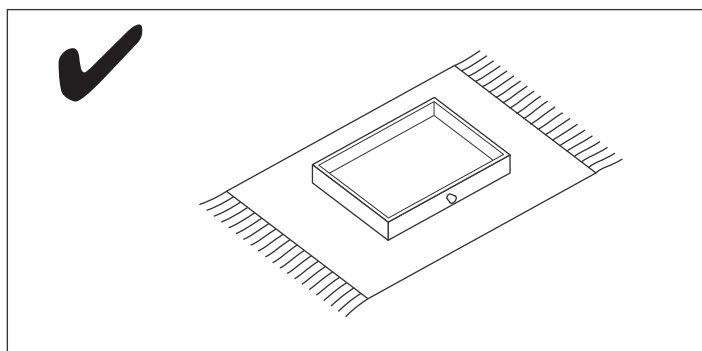
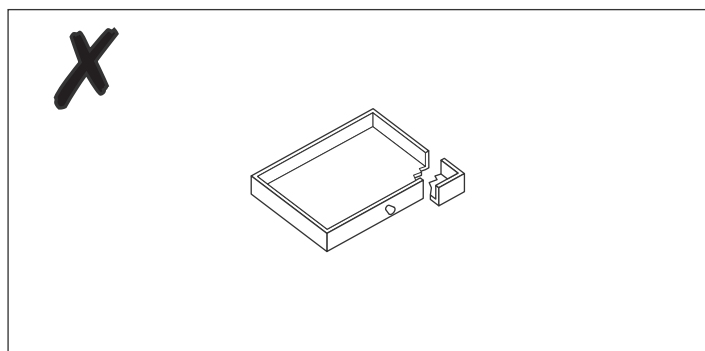
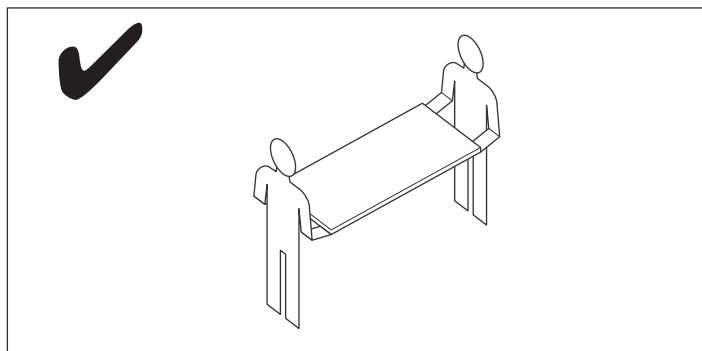
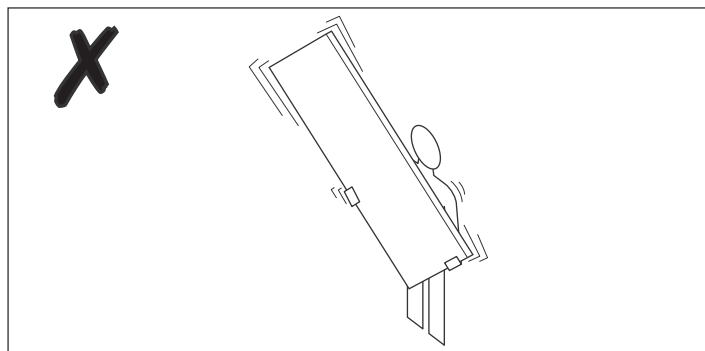
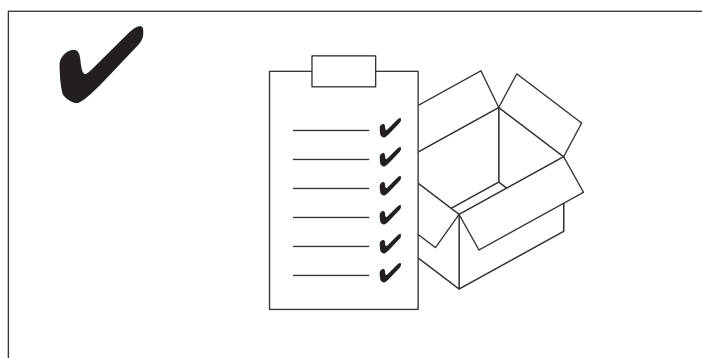
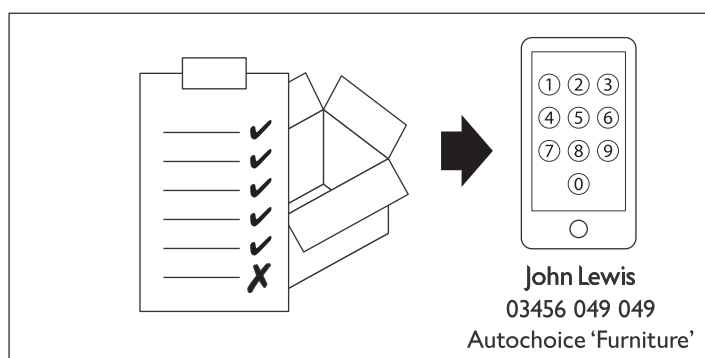
- ⚠ The product should only be used on firm, level ground.
- ⚠ Keep small parts out of reach of children.
- ⚠ Ensure the product is fully assembled as illustrated before use.

Do's

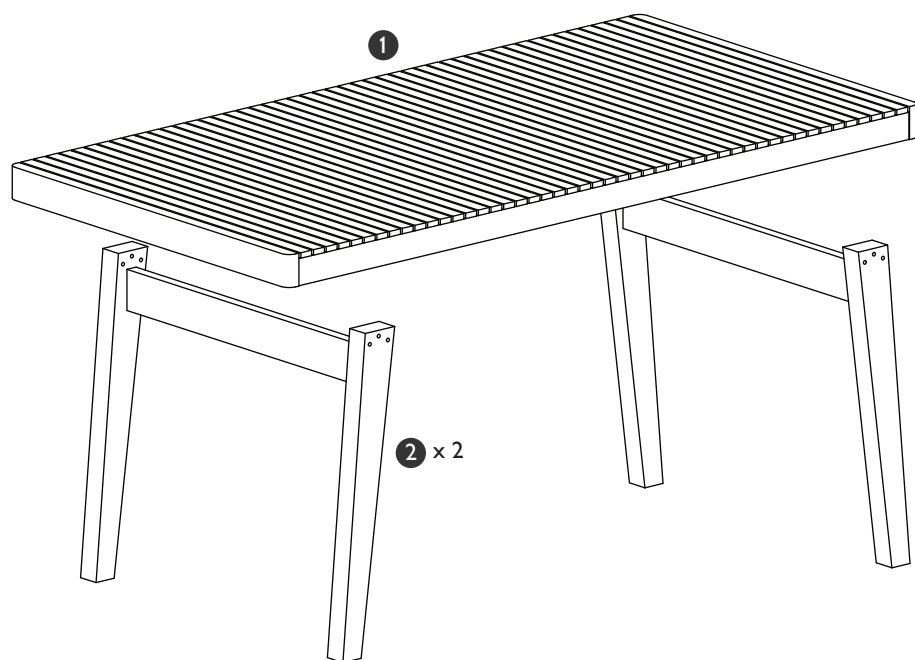
- ✓ Check the pack and make sure you have all the parts listed.
- ✓ Check all screws or bolts are tightened and inspect regularly.
- ✓ Make sure the legs remain in contact with the ground at all times.

Don'ts

- ✗ Do not over tighten screws or bolts.
- ✗ Do not stand on the product.
- ✗ Do not use power tool to construct as overtightening and panel failure may occur.



Your table

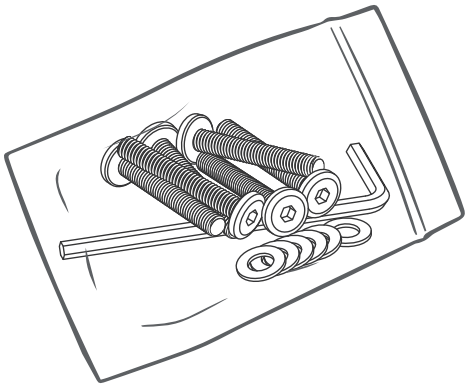


Ref	Description	Dimension	Qty
1	Table top	H7,2 x W175 x D90cm	1
2	Table leg	H71 x W84 x D5cm	2

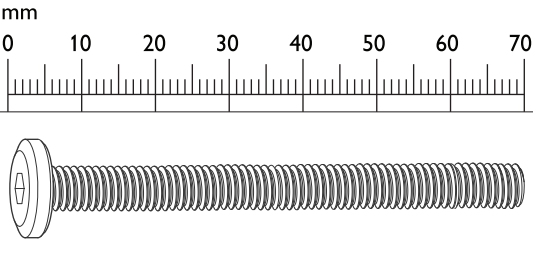

Stock number: 820 31804

Table overall size: H74 W175 D90cm


Fixtures and fittings



Fixtures and fittings supplied (actual size)

Ref	Description	Dimension	Qty	mm
A	Allen head bolt	M6mm x 70mm	12	
B	Flat washer	Ø6.5mmxØ20mm x 2mm	12	

Fixtures and fittings supplied (not actual size)

Ref	Description	Dimension	Qty	
C	Allen key #4	4mm	1	

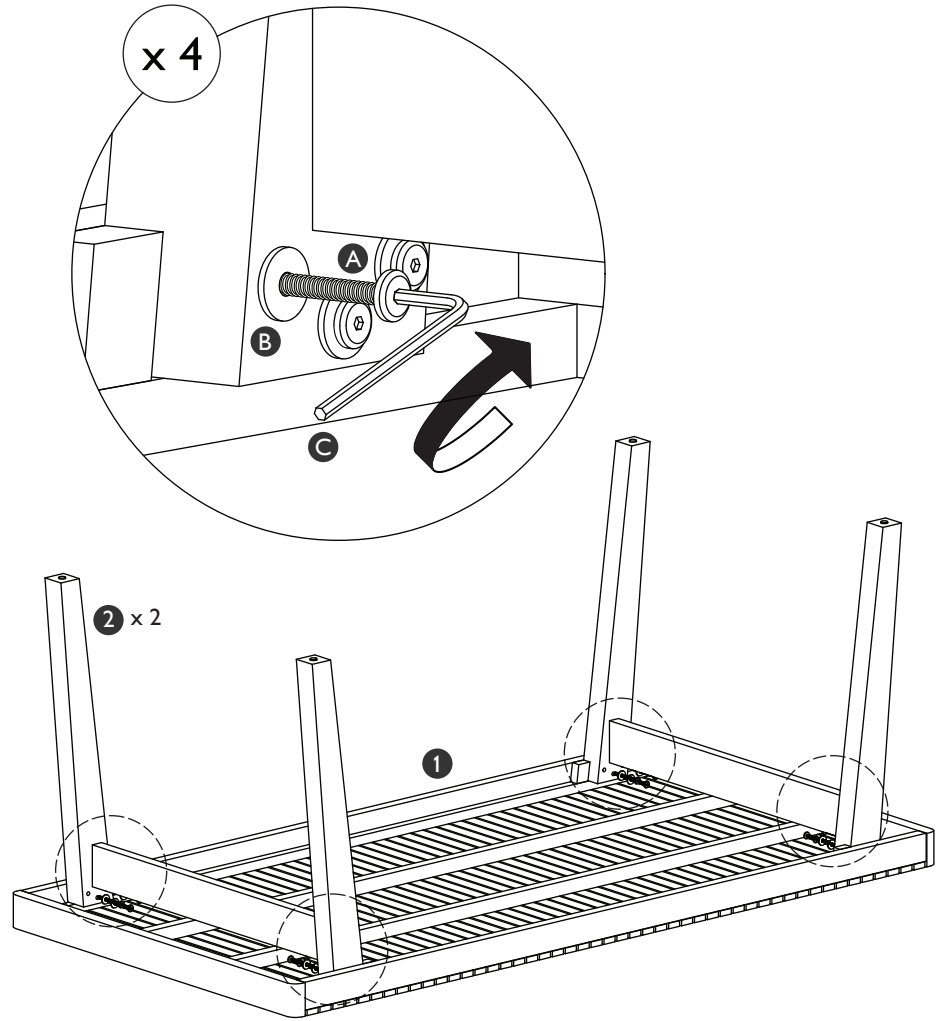
Product assembly

Mona dining table
820 31804

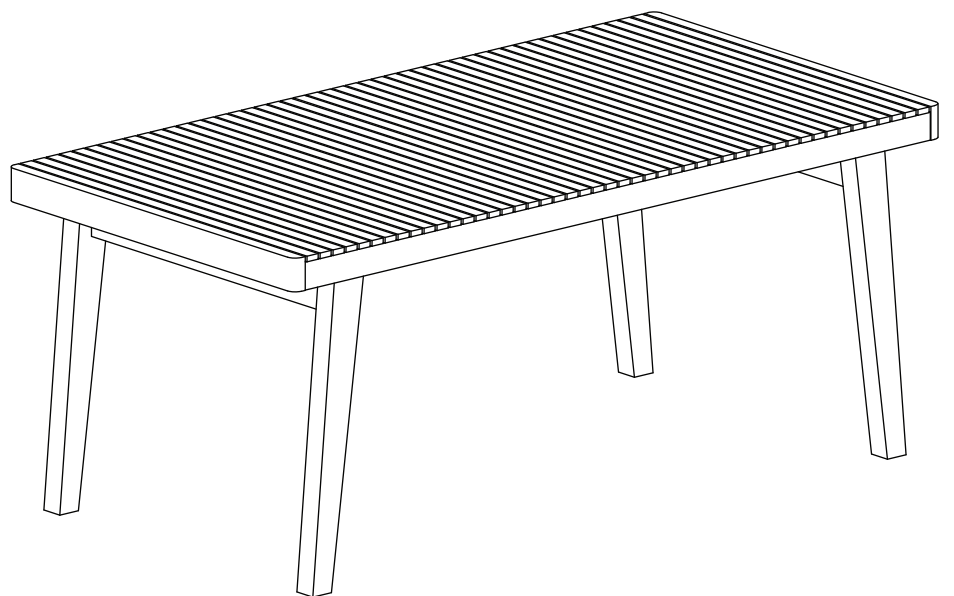
Step 1

Parts, fittings and tools

- ① ② A B C



Step 2 Final assembly



Wood furniture

This product is made from FSC Acacia and has been oiled, suitable for outdoor use.

Wood displays different grain patterns depending on which way they cut - for example, the 'medullary ray' which can appear on oak furniture is a mark of good quality timber - these are just characteristics of the natural beauty of the wood. All timber surfaces will change colour and mellow over time. New furniture will initially vary in shade from items that have been previously purchased.

Please make sure that all surfaces are protected from heat and liquids by mats and coasters. Wipe up any spills immediately and make sure that a mat or pad is placed under any paper if writing.

To extend the product life and appearance it is recommended to store the furniture in a cool dry, well ventilated place such as a garage or shed over winter or during periods of unseasonal weather. Ensure that the furniture is clean and completely dry before putting in to storage. Do NOT enclose the product in a plastic or other non-permeable material as this promotes the growth of mildew and mould. Cover it with a dust sheet or furniture cover allowing the air to circulate around it. Remove dust regularly with a clean soft brush and wipe down with a clean damp cloth. Bird droppings and tree sap should be cleaned off immediately.

The wood has been treated with oil during manufacturing, so does not normally require an additional coating prior to use. If the furniture is intended to be left outside for a prolonged period of severe conditions, another coat of oil is required.

Fine surface cracks can appear in hardwood over time. If the wood is regularly coated and the product is stored according to the guidance in this instruction manual, this should not affect the structural integrity of the product.

If your furniture comes with cushions, when not in use it is recommended that they are stored in a clean and dry environment. Wipe up any spills immediately and always refer to the care label which will either be sewn to the back of the cushion or sewn inside if your cushion has a zip closure.

How to care for your wood furniture

The wood care maintenance guide is for reference only. It is recommended to follow the application guide provided by varnish/oil manufacturers. In order to maintain the appearance of the wood, regular coating of oil must be applied. The frequency will depend on the weather conditions experienced.

1. Oil is best applied with a clean cloth. Simply wipe the oil onto the wood surface straight from the container.
2. Treat all surfaces of the furniture. Please ensure that any hidden surfaces (such as those exposed when the furniture is turned upside down) are also treated. Particular care should be given to the end grain and any joints or crevices.
3. Let the surface dry out. This can take 4 to 12 hours but depends on the surrounding conditions.
4. Repeat step 2 & 3 with at least 2 more coats of oil. Extra coats will give semi gloss sheen once the oil has dried out. Any excess oil can be wiped off with a clean cloth. Please follow the application guide provided by varnish / oil manufacturers.

Safety instructions

This furniture has been designed for domestic use only.

Furniture can be dangerous if incorrectly installed or assembled, it should be carried out by a competent person.

No liability will be accepted for damage or injury caused by incorrectly installed or assembled furniture.

It is recommended that before moving heavy objects to a new location they are completely disassembled to avoid personal injury or damage to the furniture. Please be careful to retain all fittings when doing this.

Never drag furniture when moving it, always lift it.

Periodically check all fixings to ensure none have come loose and re-tighten where necessary.

Please take care when handling or moving the furniture as careless handling may cause damage or injury.

Ensure that the furniture is always on a solid and level surface at all times.

With all articulated furniture, please exercise care when folding, unfolding and adjusting positions to avoid any possibility of pinched or trapped fingers.

Retain these instructions for future reference.

John Lewis Partnership

171 Victoria Street

London SW1E 5NN

johnlewis.com