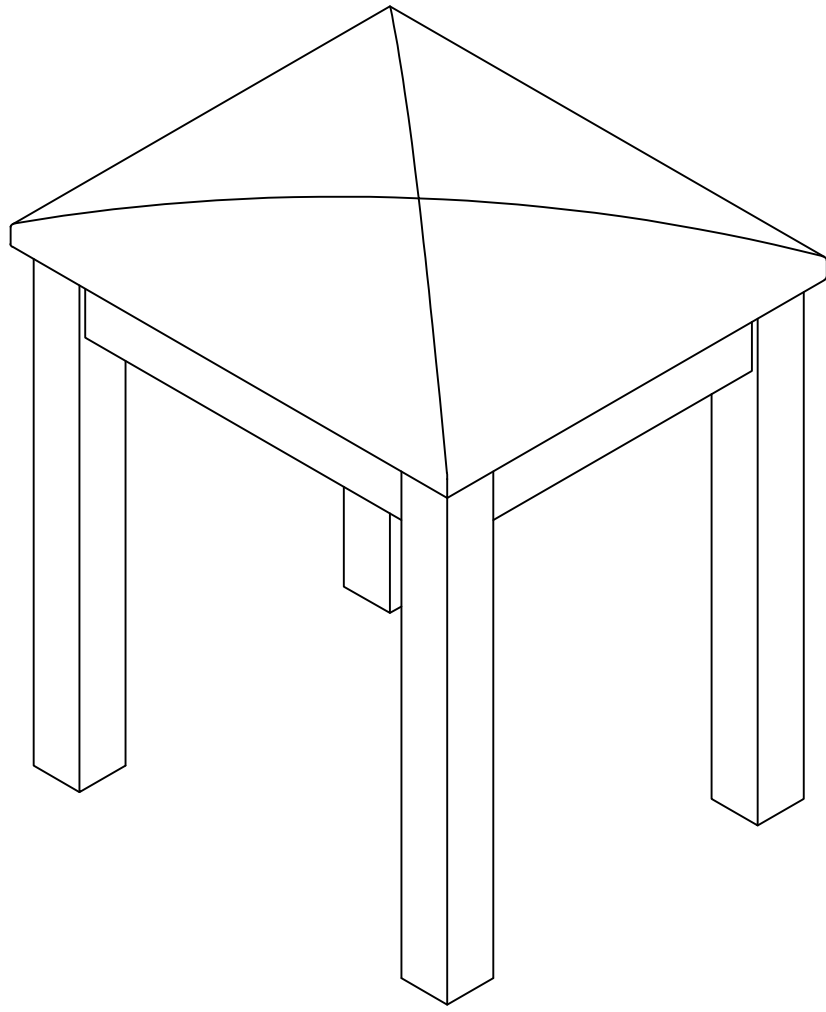




WILTON CUSHION STOOL

INSTRUCTIONS MANUAL



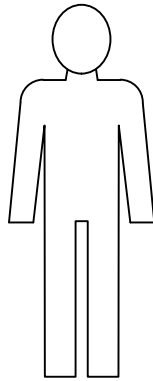
H44 W38 D33cm

Introduction

Thank you for purchasing this Wilton Cushion Stool.
Please read the instructions carefully before use to ensure
safe and satisfactory operation of this product.

Tools required**Time to assemble**

10 minutes

People to assemble

Warnings

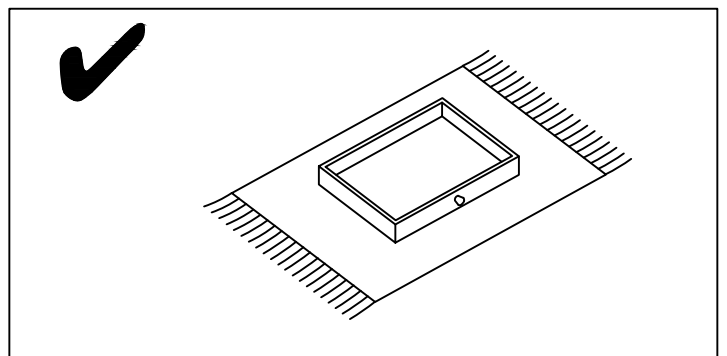
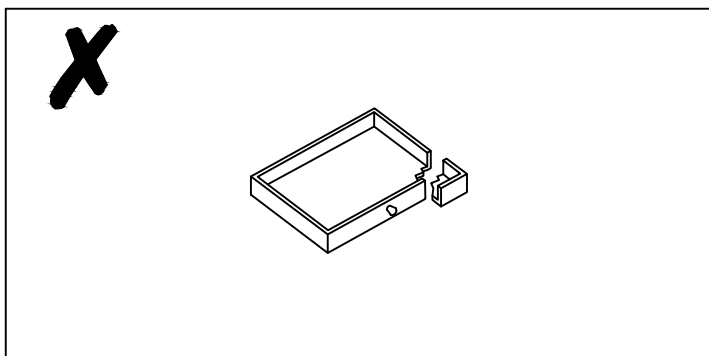
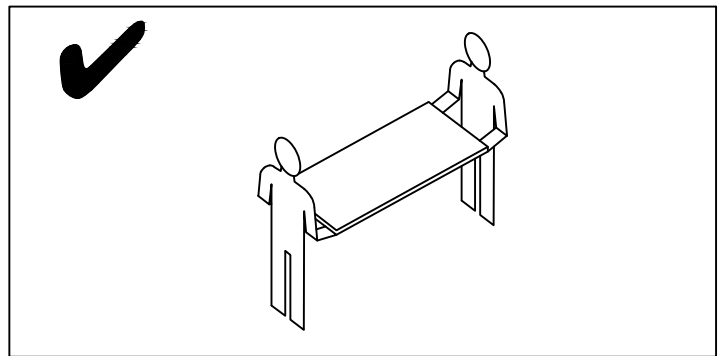
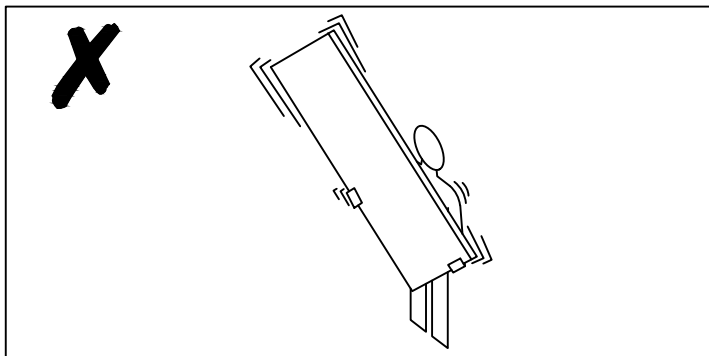
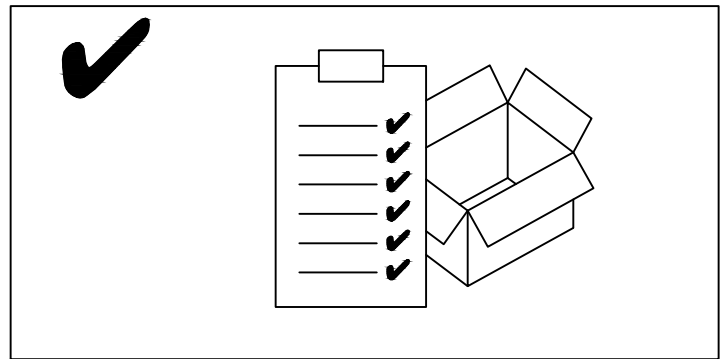
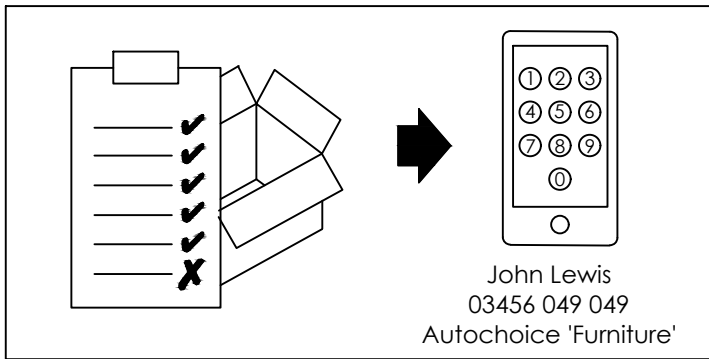
- ⚠ The product should only be used on firm, level ground.
- ⚠ Keep small parts out of reach of children.
- ⚠ Ensure the product is fully assembled as illustrated before use.
- ⚠ Care should be taken that no screws are loose because a child could trap parts of their body, or clothing (e.g. strings, necklaces, ribbons, dummies, etc) which could pose a risk of strangulation.
- ⚠ Ensure that the wall strap is used to securely attach the wardrobe to the wall to prevent tipping.
- ⚠ Any additional or replacement parts must only be obtained from John Lewis & Partners.

Do's

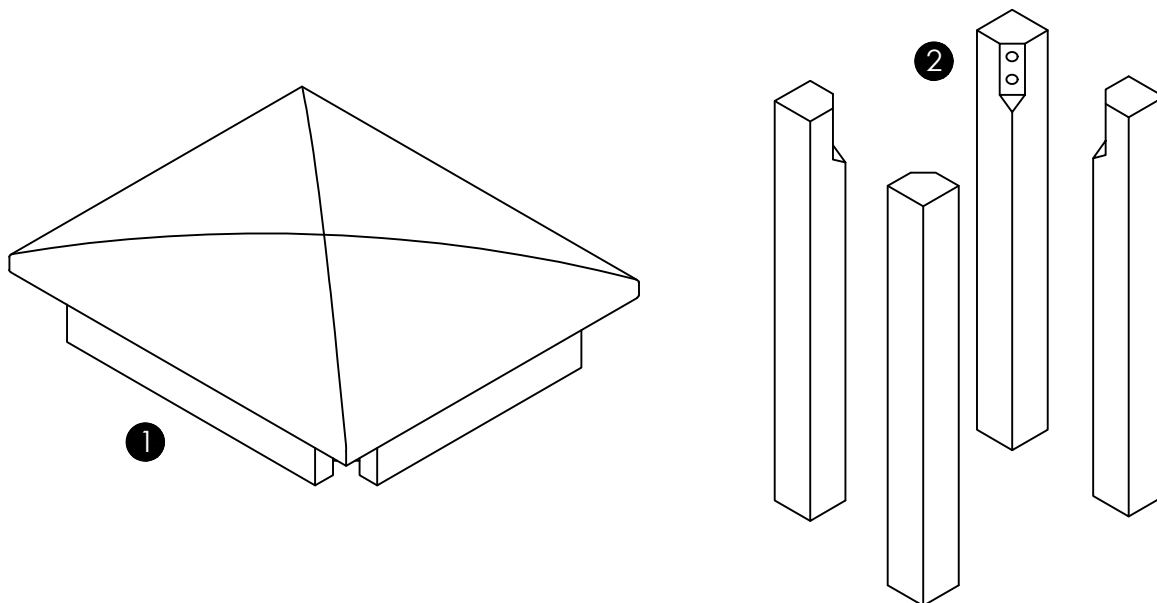
- ✓ Check the pack and make sure you have all the parts listed.
- ✓ Check all screws or bolts are tightened and inspect regularly.
- ✓ Make sure the legs remain in contact with the ground at all times.

Don'ts

- ✗ Do not over tighten screws or bolts.
- ✗ Do not stand on the product.
- ✗ Do not use power tools to construct as over tightening and panel failure may occur.







Parts list



Ref	Descriptions	Dimensions	Qty
①	Cushion Seat	H9 W38 D33cm	1
②	Leg pole	H40 W4 D4cm	4

Fixtures and fittings supplied

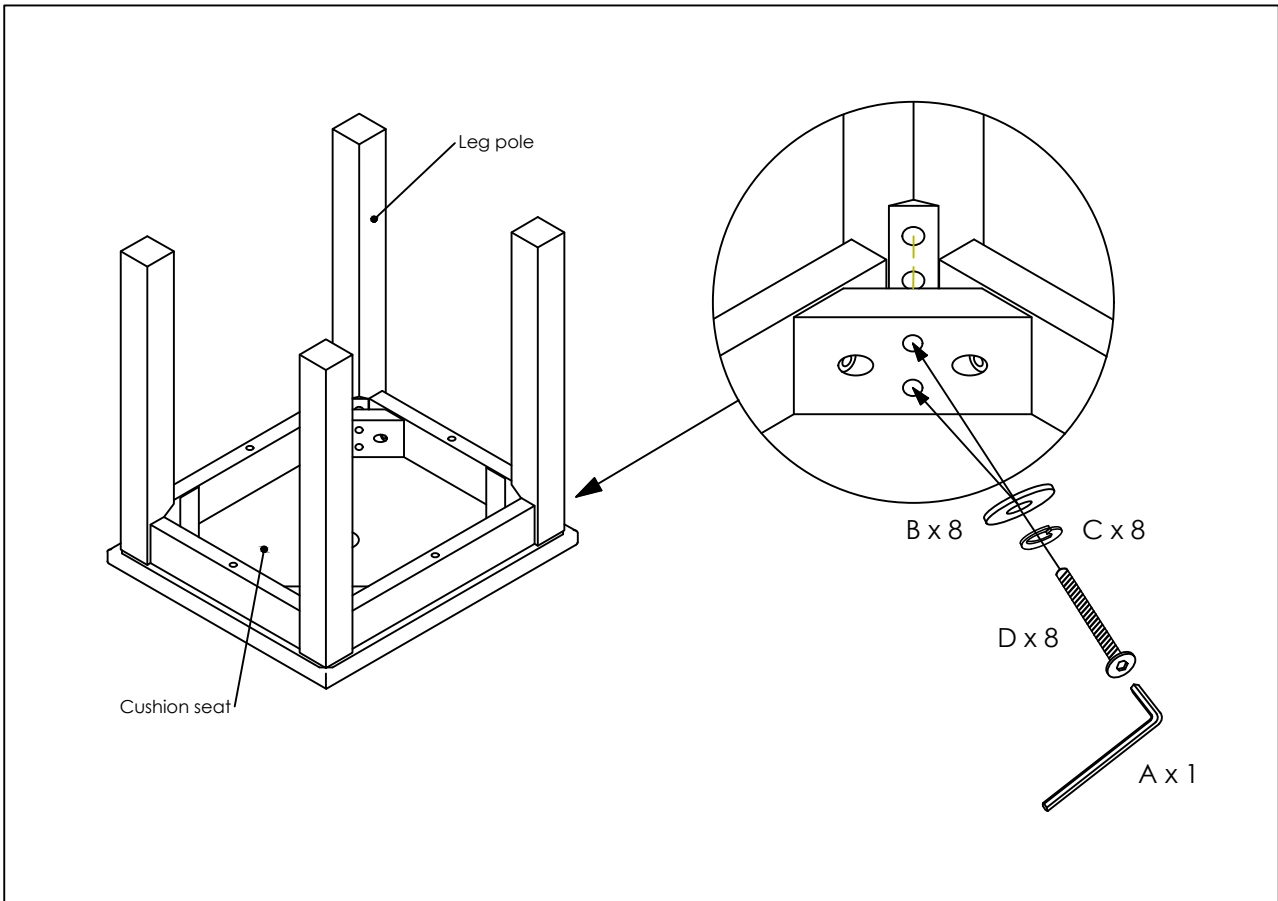
Ref	Descriptions	Dimensions	Qty	(not actual size)
Ⓐ	Allen key M4	M4 x 5.8cm	1	
Ⓑ	Flat washer	M6 x 0.1cm	8	
Ⓒ	Spring washer	M6 x 0.2cm	8	
Ⓓ	Jcbc Screw	M6 x 6cm	8	

Internal dimensions

Stock number white: 803 12214

Stock number linen: 803 12103

1



Wood furniture

Wood displays different grain patterns depending on which way they are cut - for example, the 'medullary ray' which can appear on oak furniture is a mark of good quality timber - these are just characteristics of the natural beauty of the wood. Some furniture is also deliberately aged and rustic.

Wood veneers also allow a distinctive pattern to be created on some surfaces, such as tabletops and drawer fronts by the way slivers are arranged.

All timber and veneer surfaces will change colour and mellow over time. New furniture will initially vary in shade from items that have been previously purchased.

How to care for your wood furniture

Furniture with a hard lacquer, wax polish or painted surface should be dusted with a dry cloth.

Waxed furniture will need to be given a coat of beeswax a couple of times a year to help maintain its lustre. Spray polishes are best avoided as they contain silicones which may spoil the furniture's surface when building up over time.

Make sure all surfaces are protected from heat and liquids by mats and coasters. Wipe up spills immediately and ensure that a mat or pad is placed under paper if you are writing.

Our furniture will endure most temperatures in the home, but it is best to avoid placing furniture next to heat sources such as radiators or fires. Be particularly careful with solid wood as the lack of humidity caused by home heating can cause damage such as warping.

How to care for your fabric stool

This fabric stool should be cleaned using a soft damp cloth and dried immediately. Do not use a very wet cloth or allow any liquid contact for a long period of time as this can permanently damage the surface.

Do not use detergents and do not rub as this can cause permanent damage.

Always protect your stool from direct sunlight as this may accelerate the natural on-going discolouration process.

Care and maintenance**Safety instructions**

Never drag furniture when moving it, always lift it. Periodically check all fixings to ensure none have come loose and retighten when necessary. Please take care when handling or moving the furniture as careless handling may cause damage or injury.

Furniture can be dangerous if incorrectly installed. Assembly should be carried out by a competent person. No liability will be accepted for damage or injury caused by incorrectly installed or assembled furniture.

This product is not suitable for children under 4 years old.

This product complies with BS EN 71-3:2013+A1:2014, BS EN 14749:2016 and BS 4875-7:2006.

Your feedback is very important to us and we would love to hear your comments on your new furniture. Please visit our website to leave a review. Thank you.