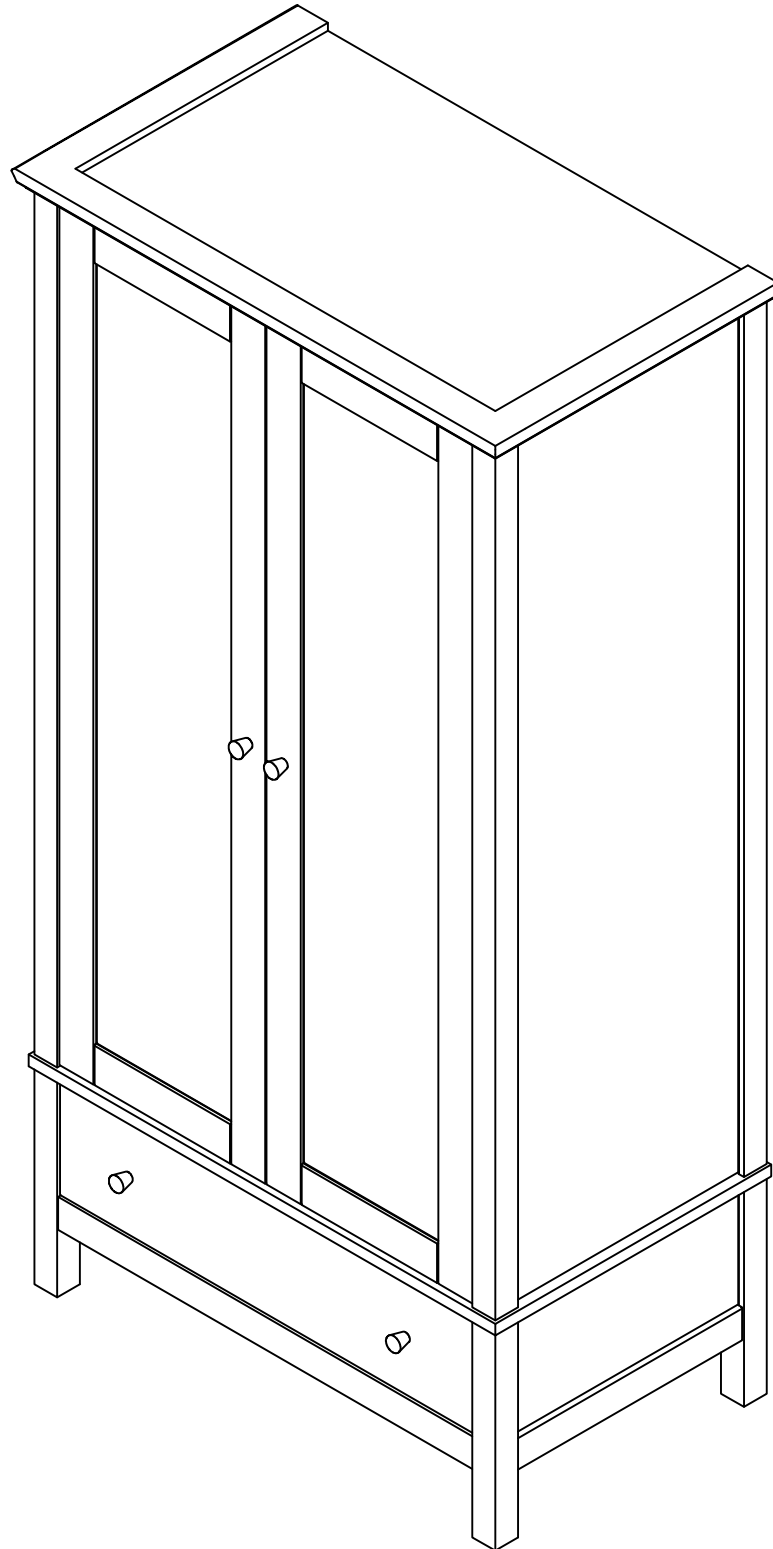




WILTON NURSERY WARDROBE INSTRUCTION MANUAL

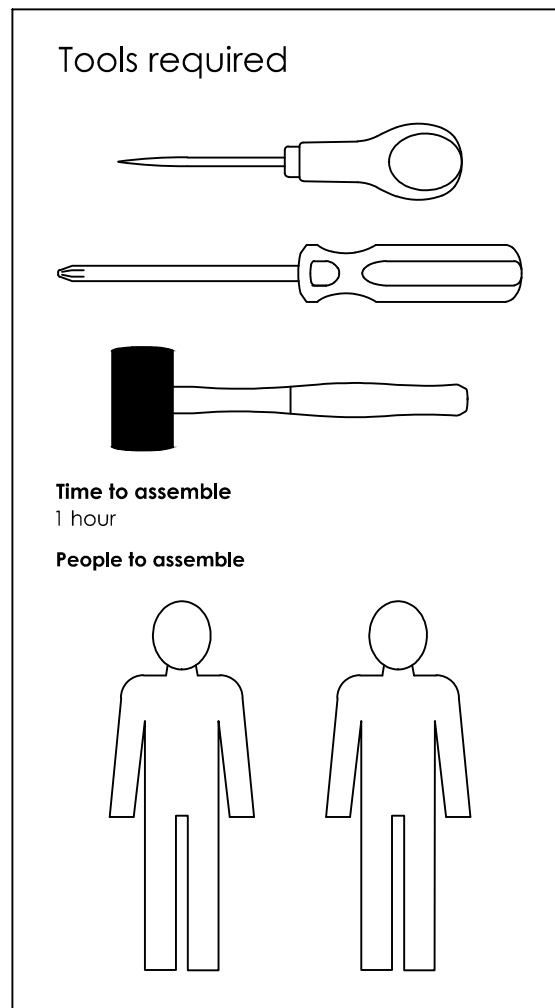


H169.8 W85 D50cm

Introduction

Thank you for purchasing this Wilton Nursery Wardrobe. Please read the instructions carefully before use to ensure safe and satisfactory operation of this product.

Tools required



Important safety Information

⚠ Warning: In order to prevent overturning, this product must be used with the wall attachment device provided.

Serious or fatal crushing injuries can occur from furniture tipping over. To help prevent topple over, please observe the following:

1. Use the wall attachment device provided.
2. Never allow children to climb or hang on drawers, doors or shelves.
3. Place heaviest items in the lower drawers or shelves.
4. Never open more than one drawer at a time.

An attachment device is provided with your product; however, you will need to source suitable fixings for your wall type. If in doubt, please consult a qualified tradesperson.

Always ensure the wall to be drilled is free from hidden electrical wires, water and gas pipes.

Warnings

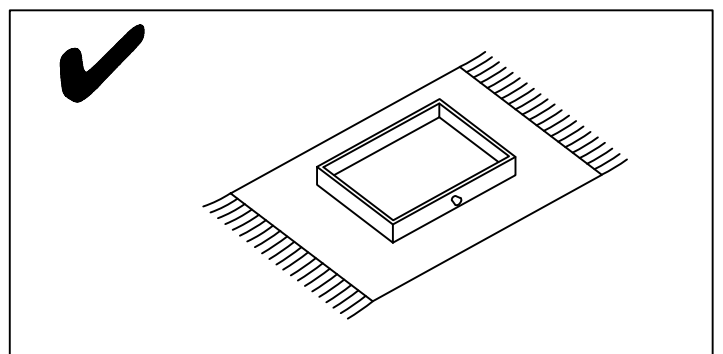
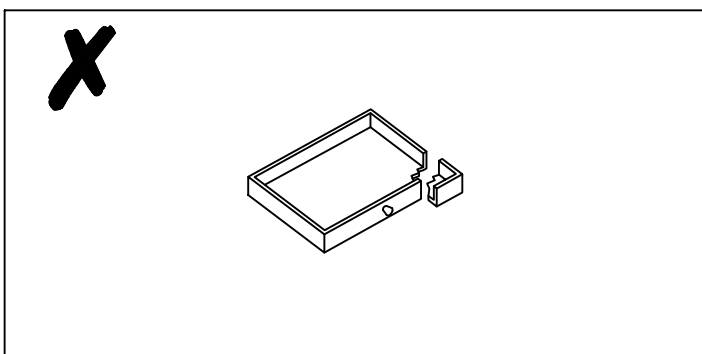
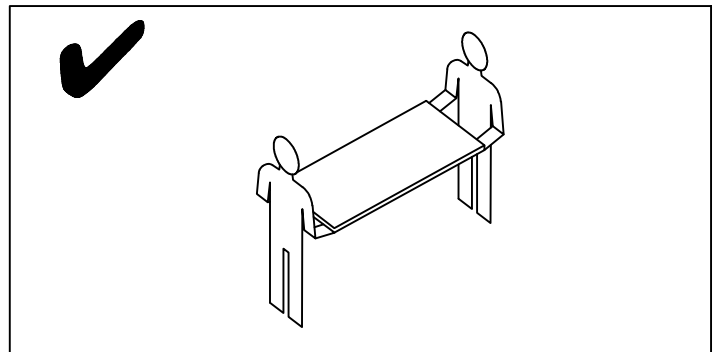
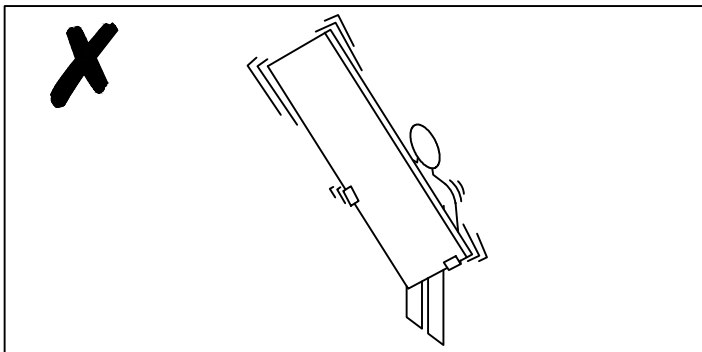
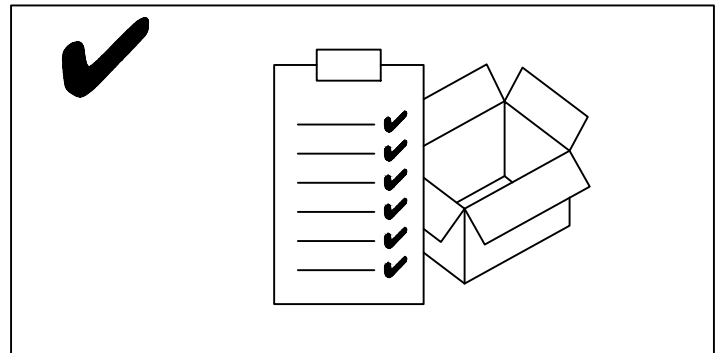
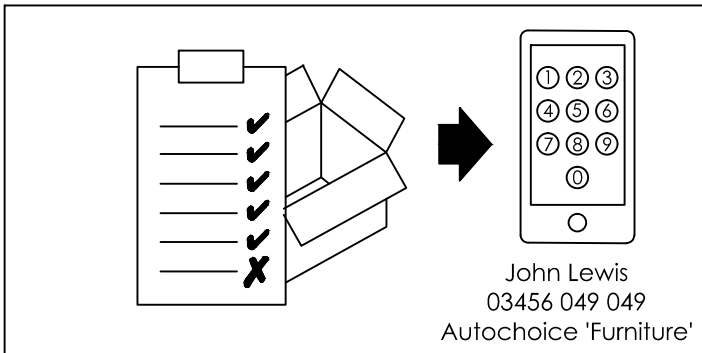
- ⚠ The product should only be used on firm, level ground.
- ⚠ Keep small parts out of reach of children.
- ⚠ Ensure the product is fully assembled as illustrated before use.
- ⚠ Care should be taken that no screws are loose because a child could trap parts of their body, or clothing (e.g. strings, necklaces, ribbons, dummies, etc) which could pose a risk of strangulation.
- ⚠ Ensure that the wall strap is used to securely attach the wardrobe to the wall to prevent tipping.
- ⚠ Any additional or replacement parts must only be obtained from John Lewis & Partners.

Do's

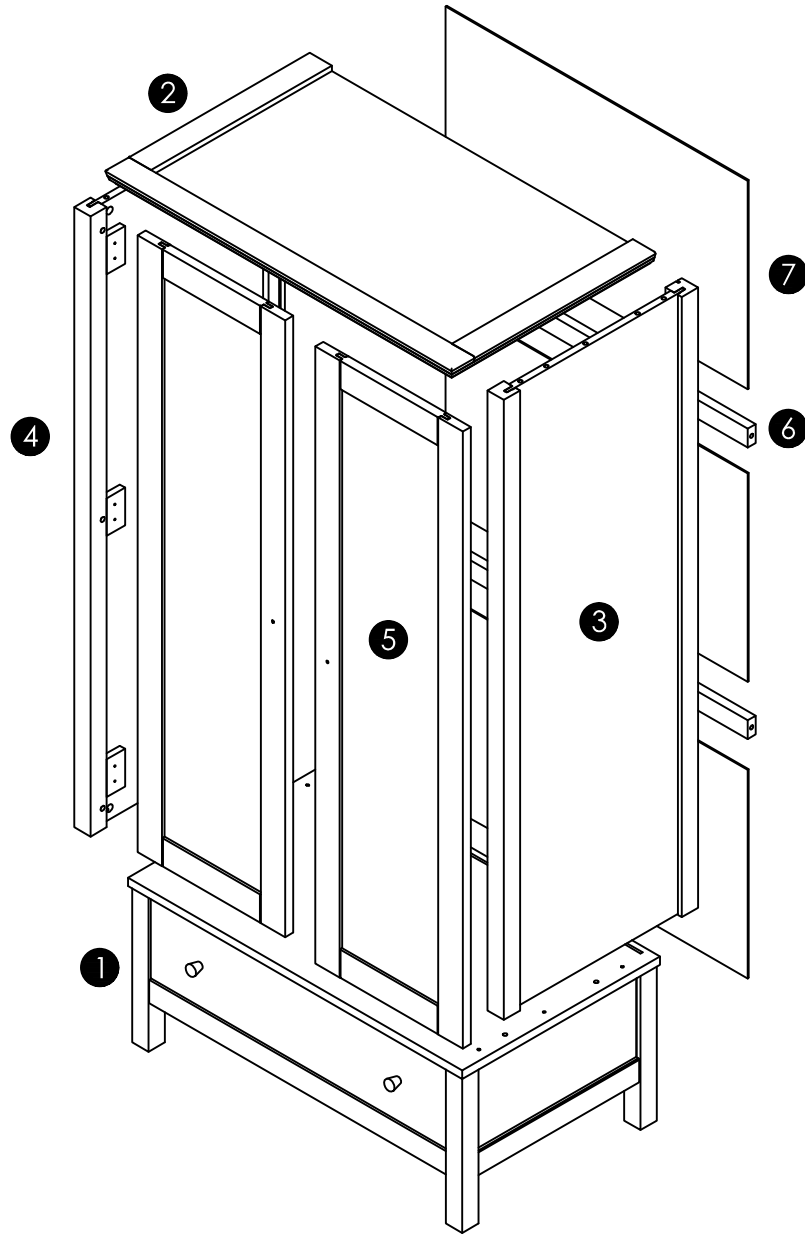
- ✓ Check the pack and make sure you have all the parts listed.
- ✓ Check all screws or bolts are tightened and inspect regularly.
- ✓ Make sure the legs remain in contact with the ground at all times.

Don'ts

- ✗ Do not over tighten screws or bolts.
- ✗ Do not stand on the product.
- ✗ Do not use power tools to construct as over tightening and panel failure may occur.



Parts list















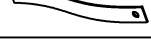

Ref	Descriptions	Dimensions	Qty
①	Bottom Unit	H35 W82 D48.5cm	1
②	Top Panel	H3 W85 D50cm	1
③	Side Panel Right	H4 W131.8 D47.7cm	1
④	Side Panel Left	H4 W131.8 D47.7cm	1
⑤	Door Panel	H2 W131.1 D36.2cm	2
⑥	Back Ply Support	H2 W73 D4cm	2
⑦	Back Ply	H0.3 W74.1 D44.3cm	3

Internal dimensions

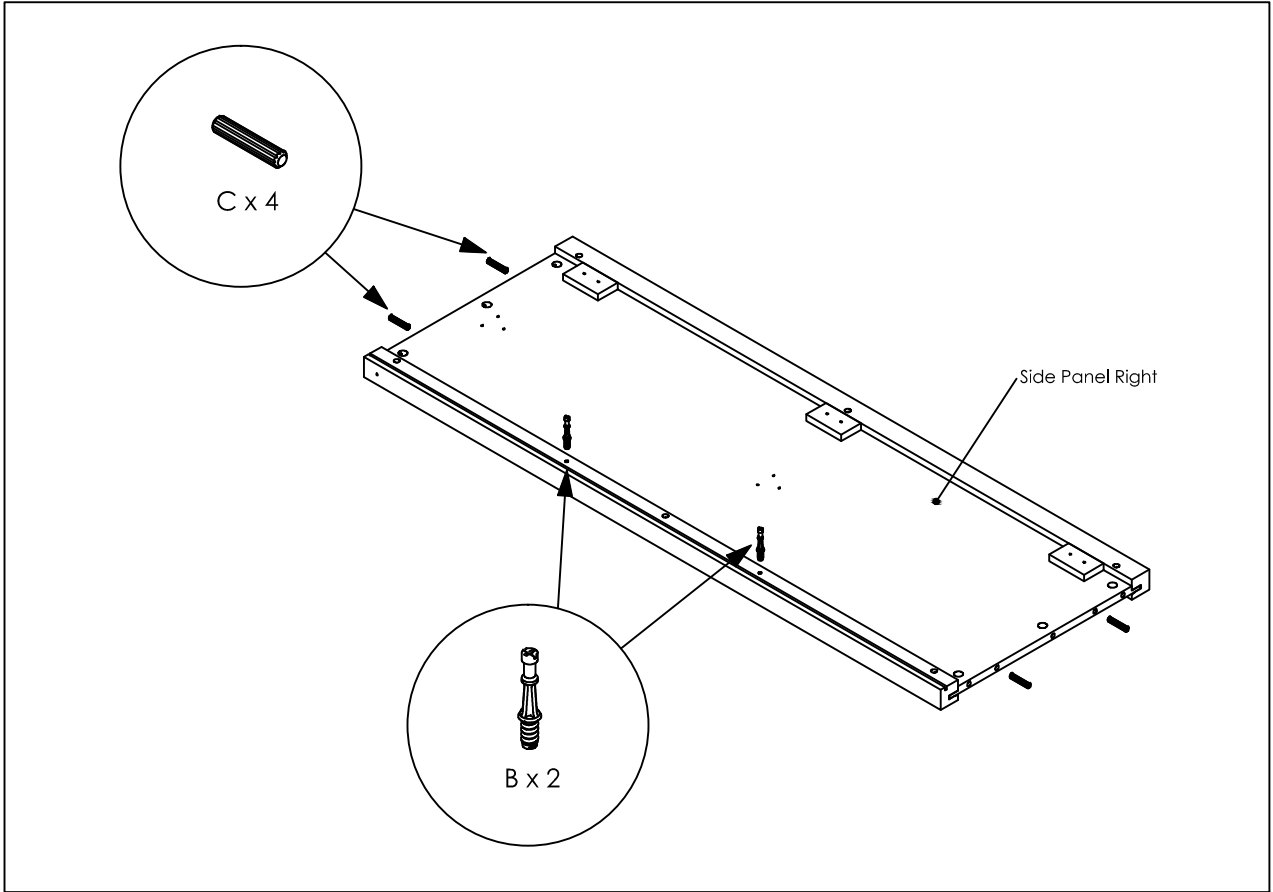
Stock number white: 324 40801

Drawer size: H17.4 W72.7 D41.8cm

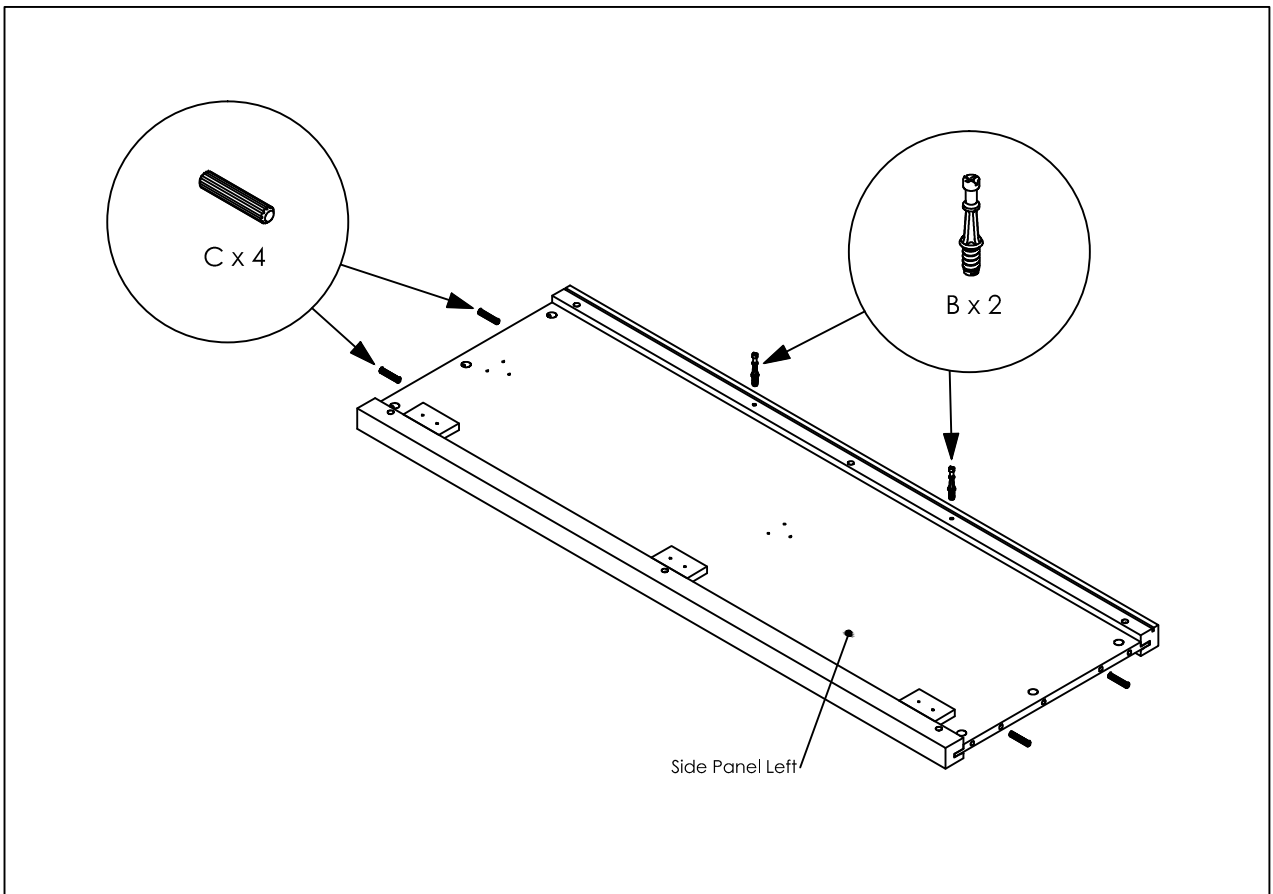
**Fixtures and fittings
supplied**

Ref	Descriptions	Dimensions	Qty	(not actual size)
A	Cam heels	Ø1.5 x 1.2cm	16	
B	Cam rods	M5 x 3.4cm	16	
C	Wooden dowels	Ø0.8 x 3cm	8	
D	Screw	M4 x 2.5cm	4	
E	Screw	M3.5 x 1.6cm	24	
F	Screw pan head	M3.5 x 1.6cm	30	
G	Screw handle	M4 x 3.2cm	2	
H	Flat washer	M6 x 0.1cm	2	
I	Handle	Ø2.5 x 2.6cm	2	
J	Wooden door stopper	6 x 1.8 x 1.2cm	2	
K	Hinges	10.5 x 6 x 4cm	6	
L	Ring holder	Ø5.5 x 1.5cm	4	
M	Wall strap	2 x 18cm	2	
N	Chrome pipe	2.5 x 75.3cm	2	

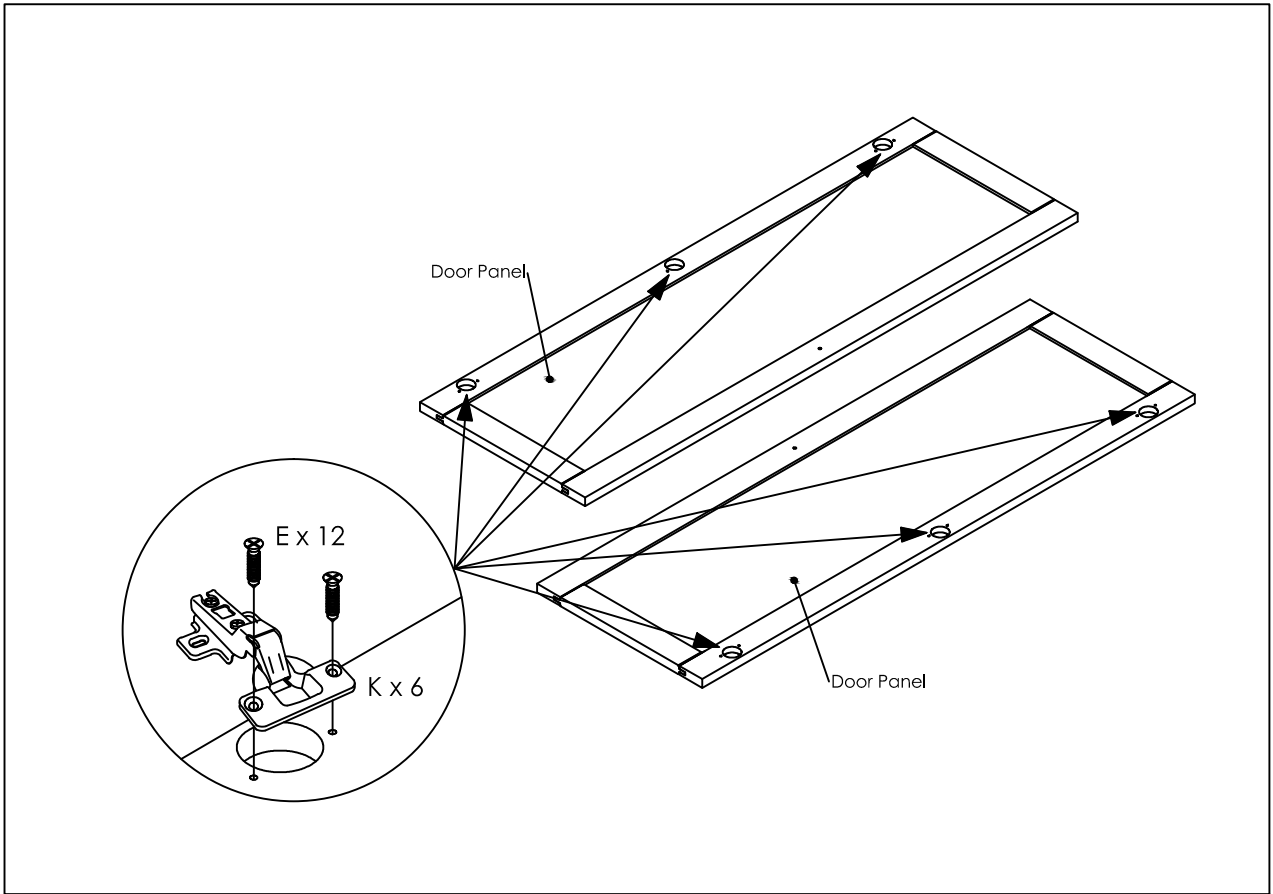
1



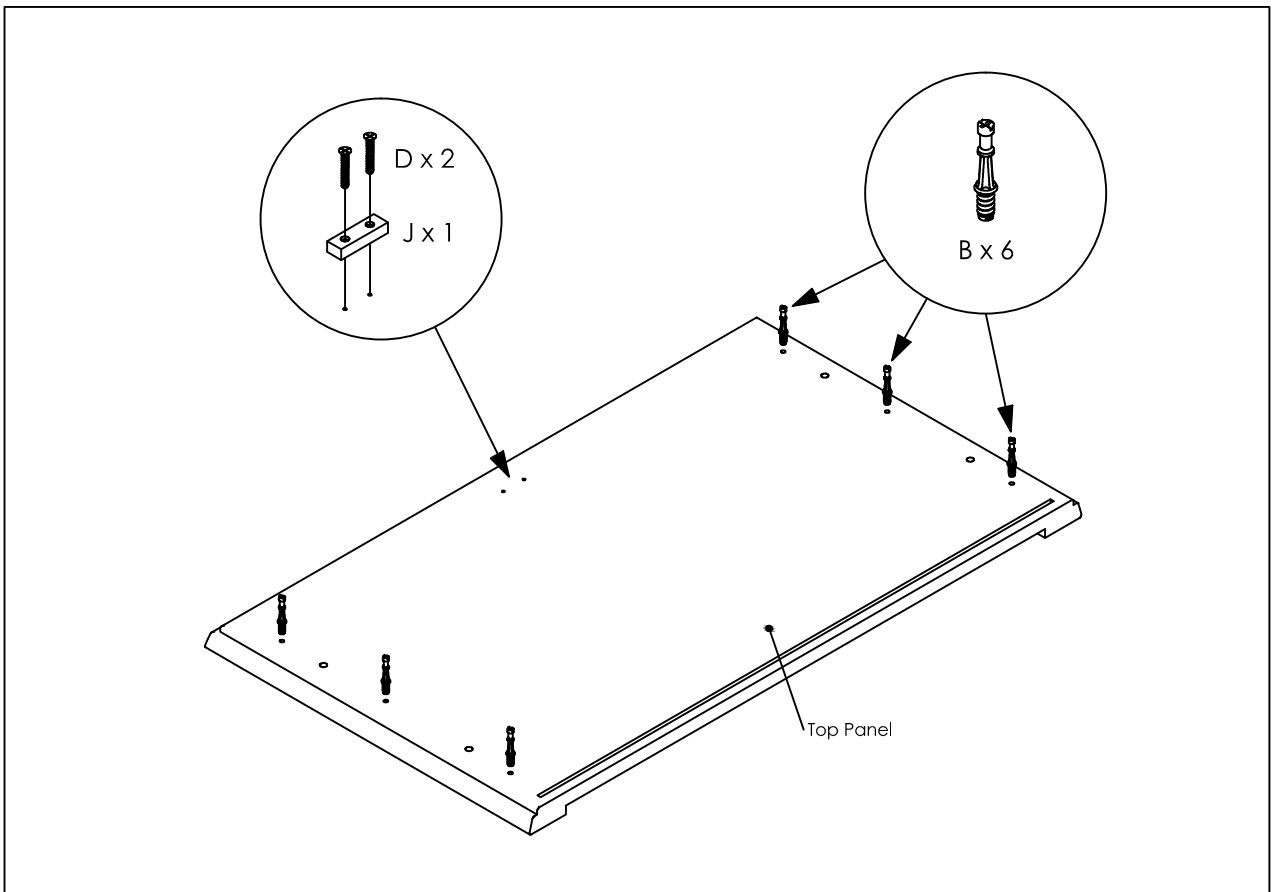
2



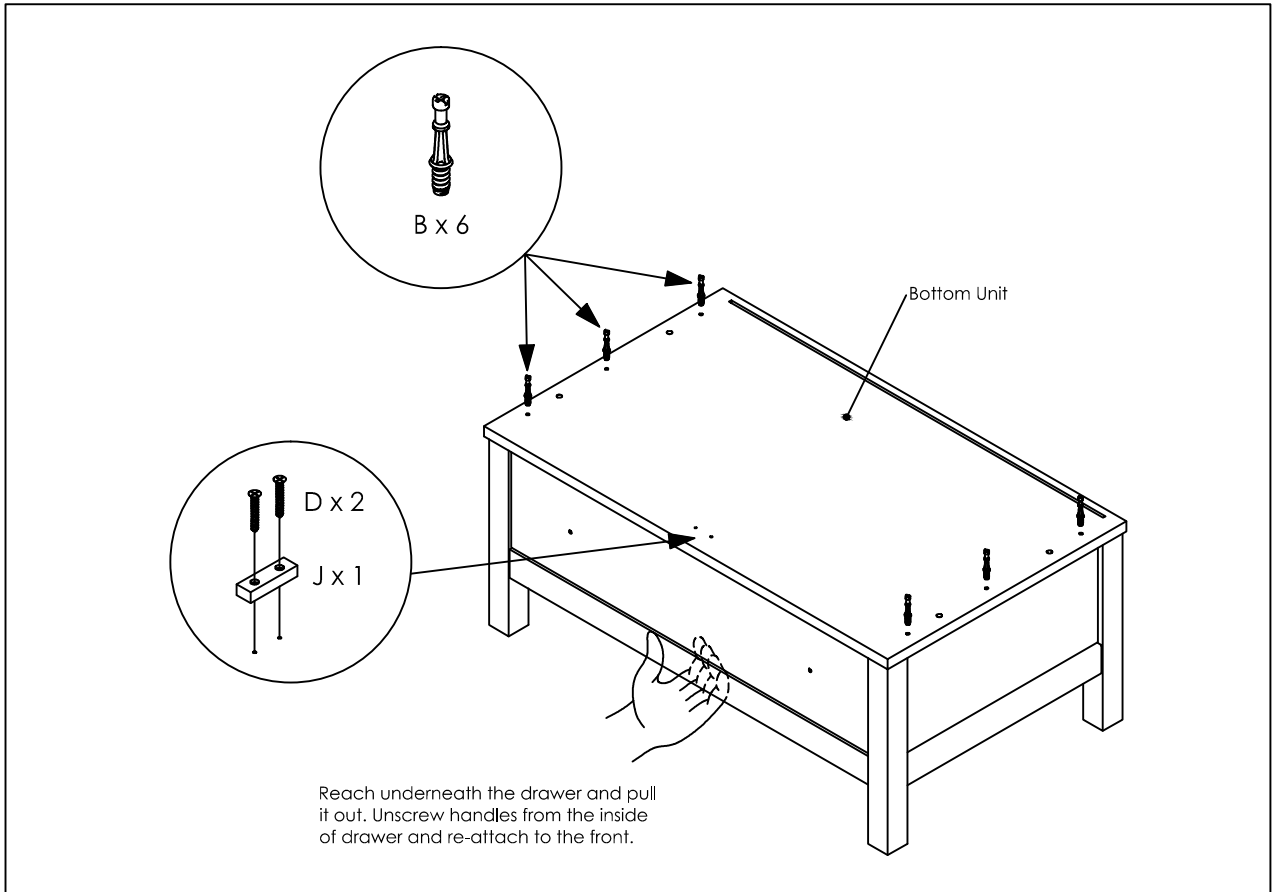
3



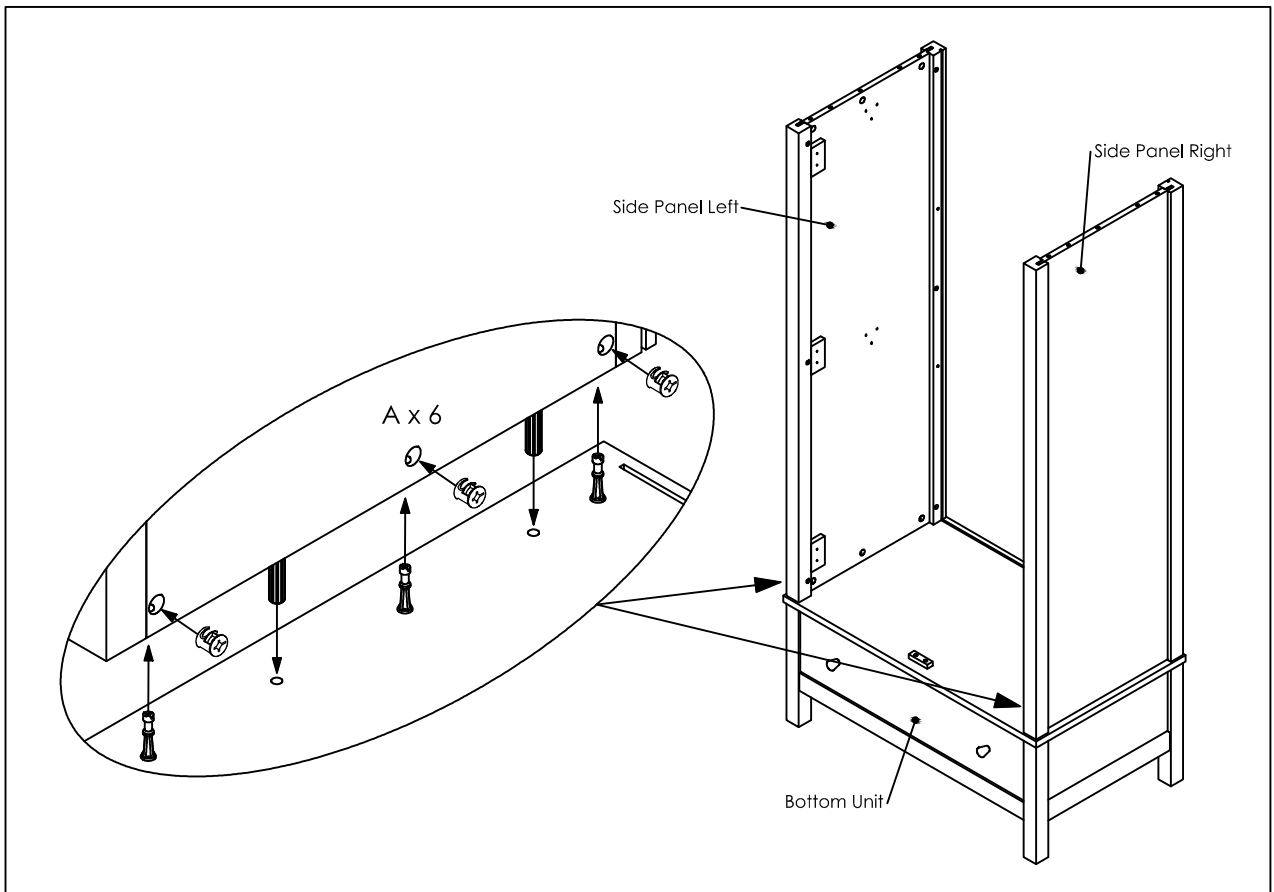
4



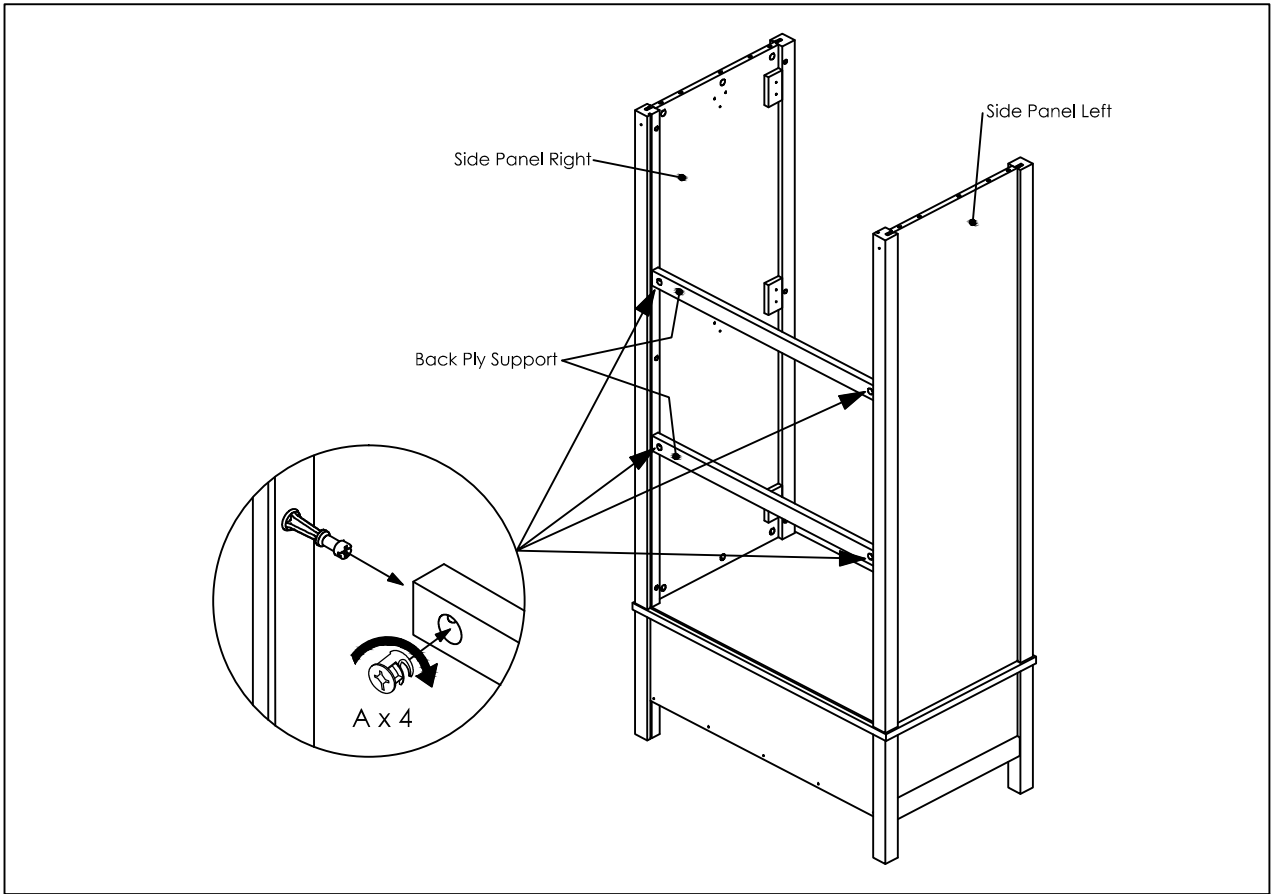
5



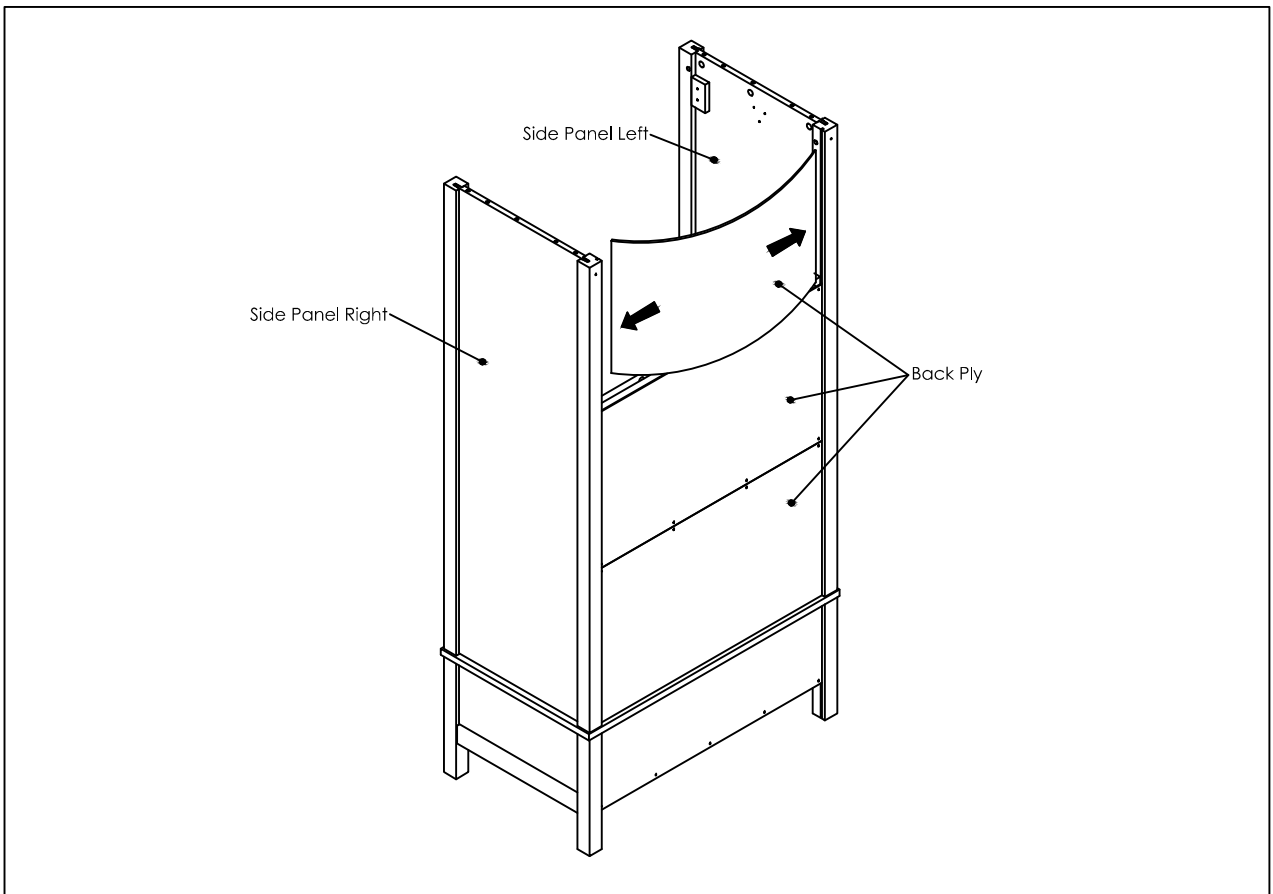
6



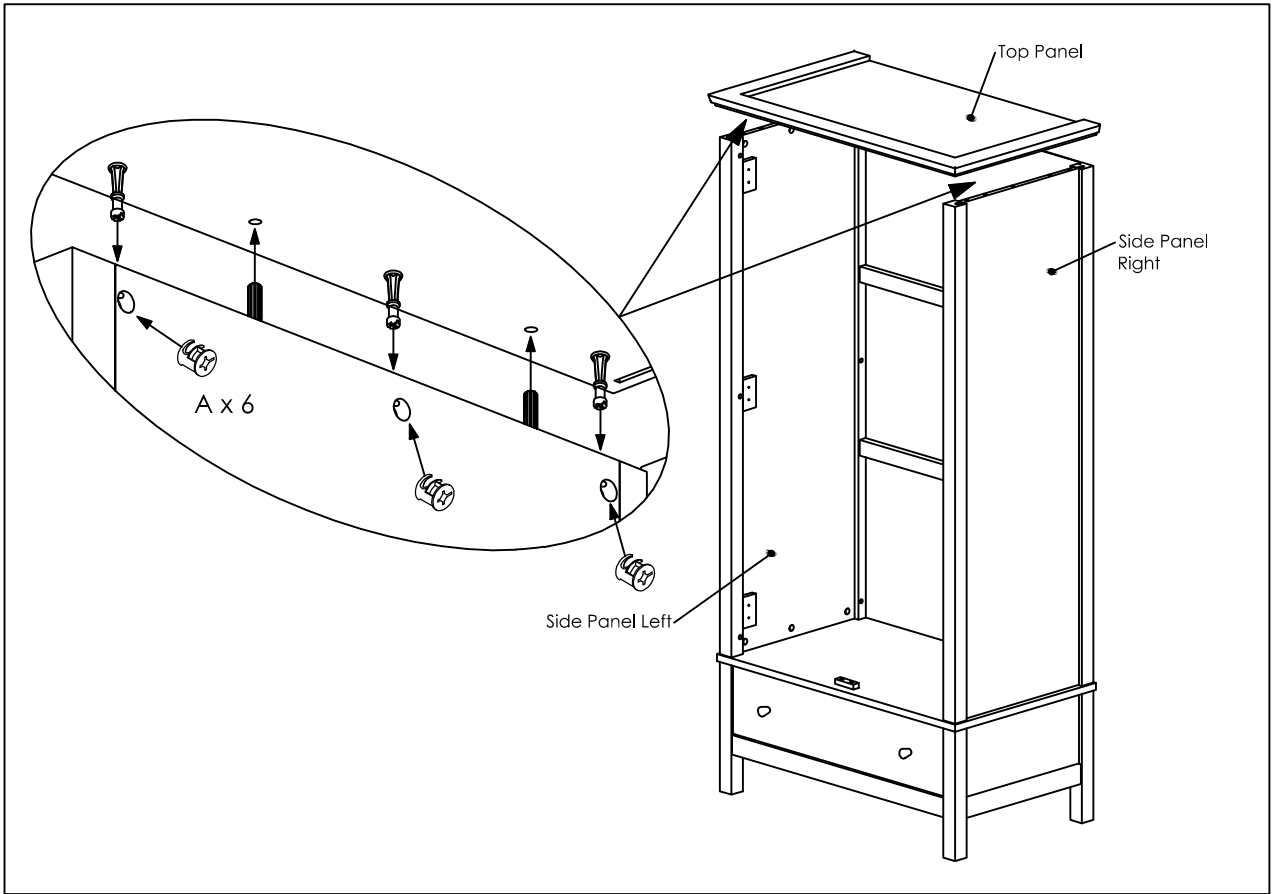
7



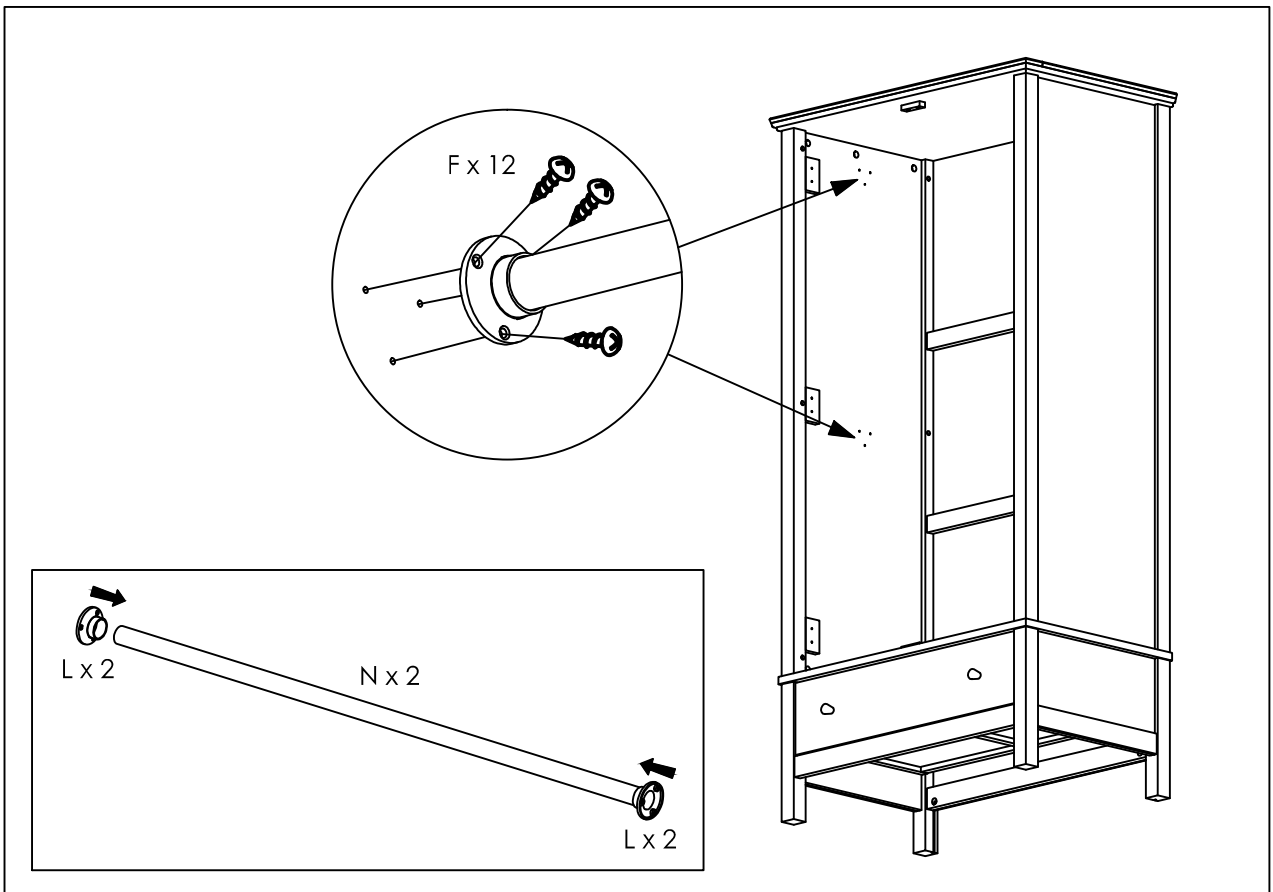
8



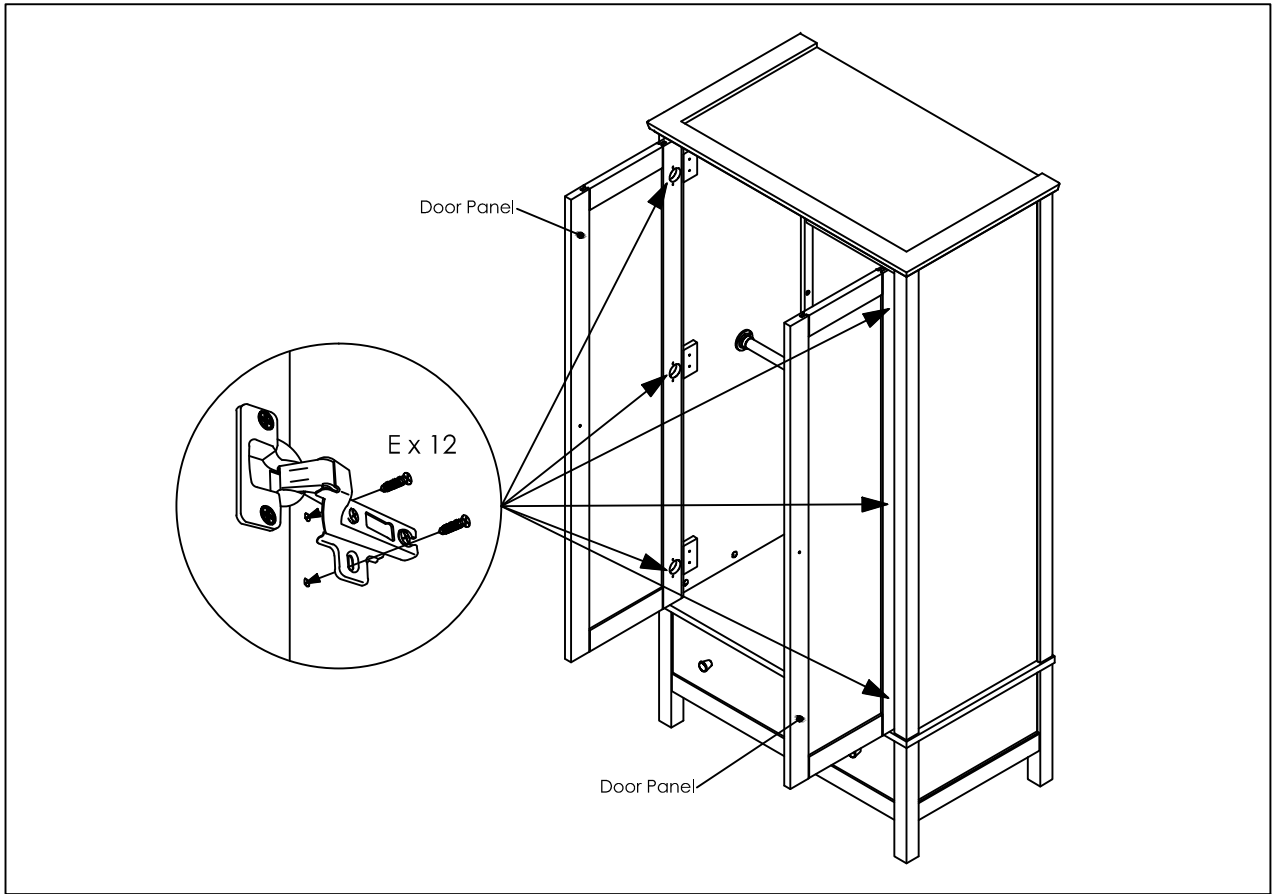
9



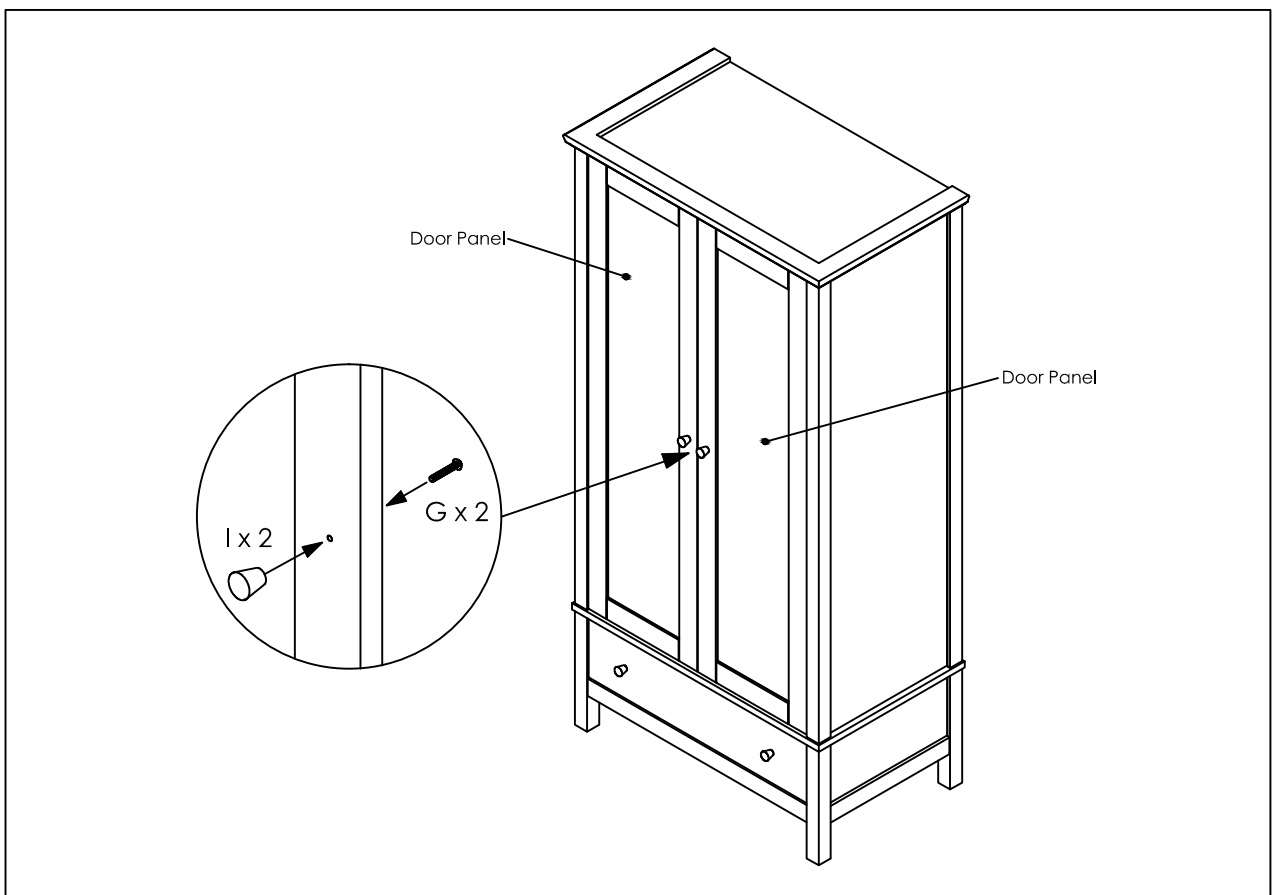
10

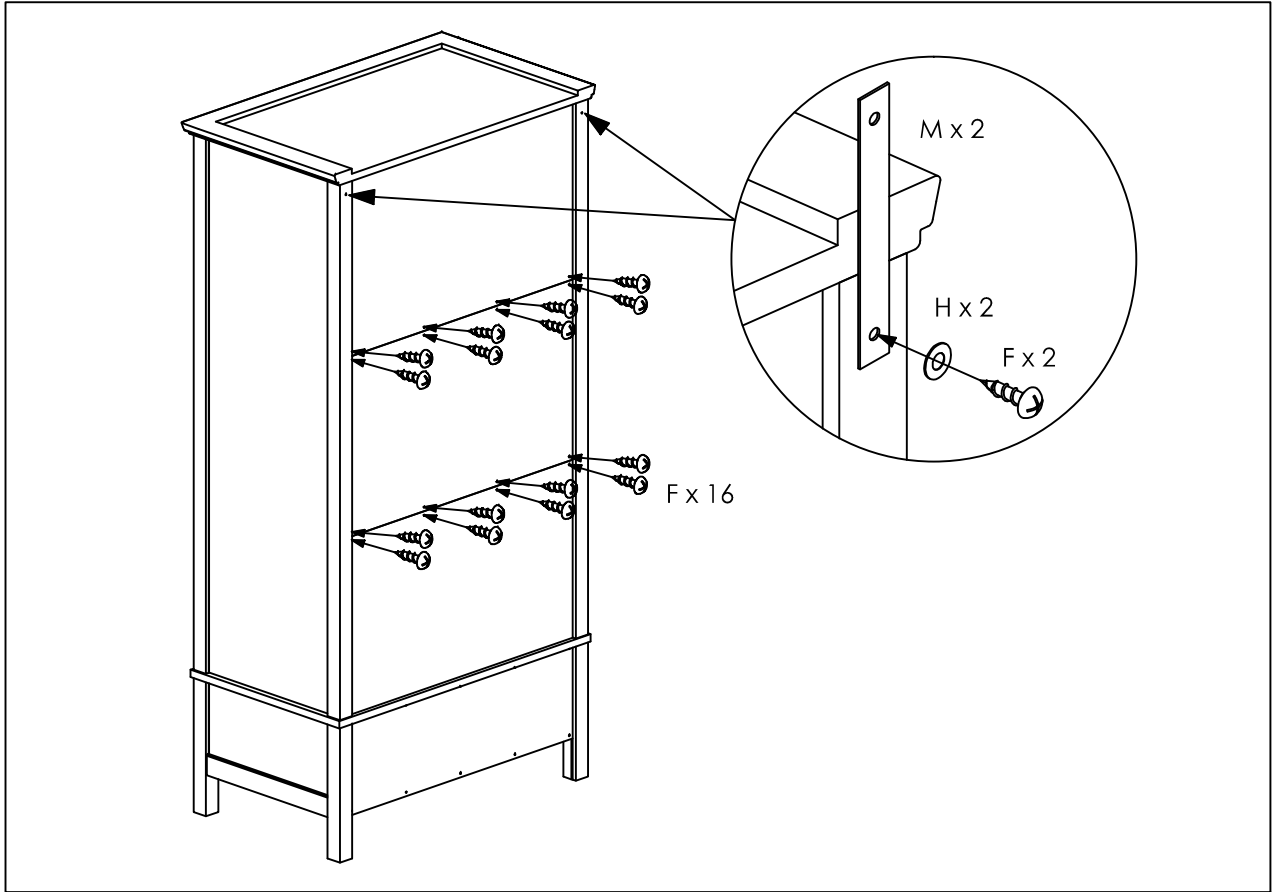


11



12





Wall mounting and fixings

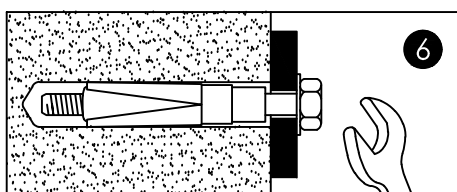
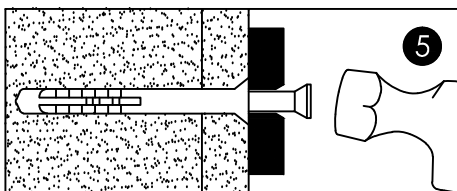
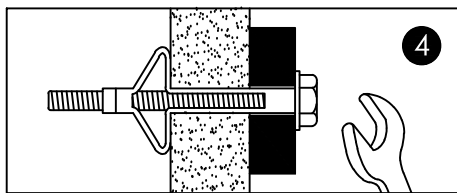
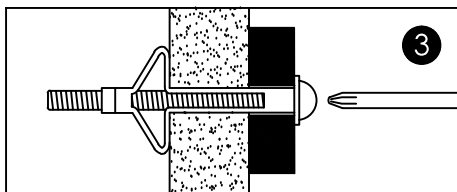
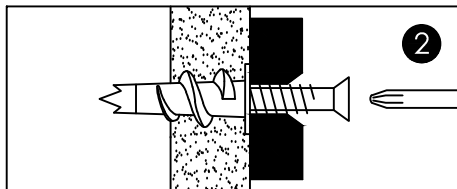
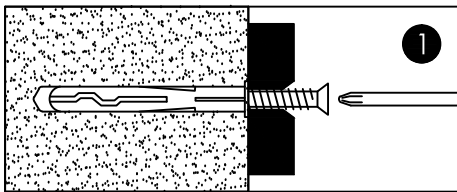
⚠ Warning

In order to prevent overturning this product must be used with wall attachment device provided.

Wall fixing screws are not included, since different wall materials require different types of screws/ fixings. Please ensure you use the correct screws/ fixings for your type of walls and seek professional advice if you are not sure.

Installation shall be carried out exactly according to the instructions provided - otherwise a safety risk can occur if incorrectly installed. Failure of the product due to incorrect fixings is the responsibility of the installer.

Important: When drilling into the walls always check that there are not hidden wires or pipes etc.



Type of walls

You can use one of the following types of wall plug if your walls are made of brick, breezeblock, concrete, stone or wood.

1. General Purpose wall plug

Generally aerated blocks should not be used to support heavy loads, use a specialist fitting in this case. For light loads, general purpose wall plug can be used.

2. Plasterboard wall plug

For use when attaching light loads on to plasterboard partitions.

3. Cavity Fixing wall plug

For use with plasterboard partitions or hollow wooden doors.

4. Cavity Fixing - Heavy Duty wall plug

For use when fitting or supporting heavy loads such as shelving, wall cabinets and coat racks.

5. Hammer Fixing wall plug

For use with walls stuck plasterboard. Then hammer fixing allows it to be fixed to the wall rather than the plasterboard. Always check the fixing is secure to the retaining wall.

6. Shield Anchor wall plug - Heavy loads

For use with heavier loads such as TV and Hi-Fi speakers and satellite dishes etc.

⚠ Care and maintenance

Safety: Periodically check all fittings and wall fixings to ensure they have not come loose and retighten as necessary.

Care and maintenance**Wood furniture**

Wood displays different grain patterns depending on which way they are cut - for example, the 'medullary ray' which can appear on oak furniture is a mark of good quality timber - these are just characteristics of the natural beauty of the wood. Some furniture is also deliberately aged and rustic.

Wood veneers also allow a distinctive pattern to be created on some surfaces, such as tabletops and drawer fronts by the way slivers are arranged.

All timber and veneer surfaces will change colour and mellow over time. New furniture will initially vary in shade from items that have been previously purchased.

How to care for your wood furniture

Furniture with a hard lacquer, wax polish or painted surface should be dusted with a dry cloth.

Waxed furniture will need to be given a coat of beeswax a couple of times a year to help maintain its lustre. Spray polishes are best avoided as they contain silicones which may spoil the furniture's surface when building up over time.

Make sure all surfaces are protected from heat and liquids by mats and coasters. Wipe up spills immediately and ensure that a mat or pad is placed under paper if you are writing.

Our furniture will endure most temperatures in the home, but it is best to avoid placing furniture next to heat sources such as radiators or fires. Be particularly carefully with solid wood as the lack of humidity caused by home heating can cause damage such as warping.

Safety instructions

Never drag furniture when moving it, always lift it. Periodically check all fixings to ensure none have come loose and retighten when necessary. Please take care when handling or moving the furniture as careless handling may cause damage or injury.

Furniture can be dangerous if incorrectly installed. Assembly should be carried out by a competent person. No liability will be accepted for damage or injury caused by incorrectly installed or assembled furniture.

Your feedback is very important to us and we would love to hear your comments on your new furniture. Please visit our website to leave a review. Thank you.