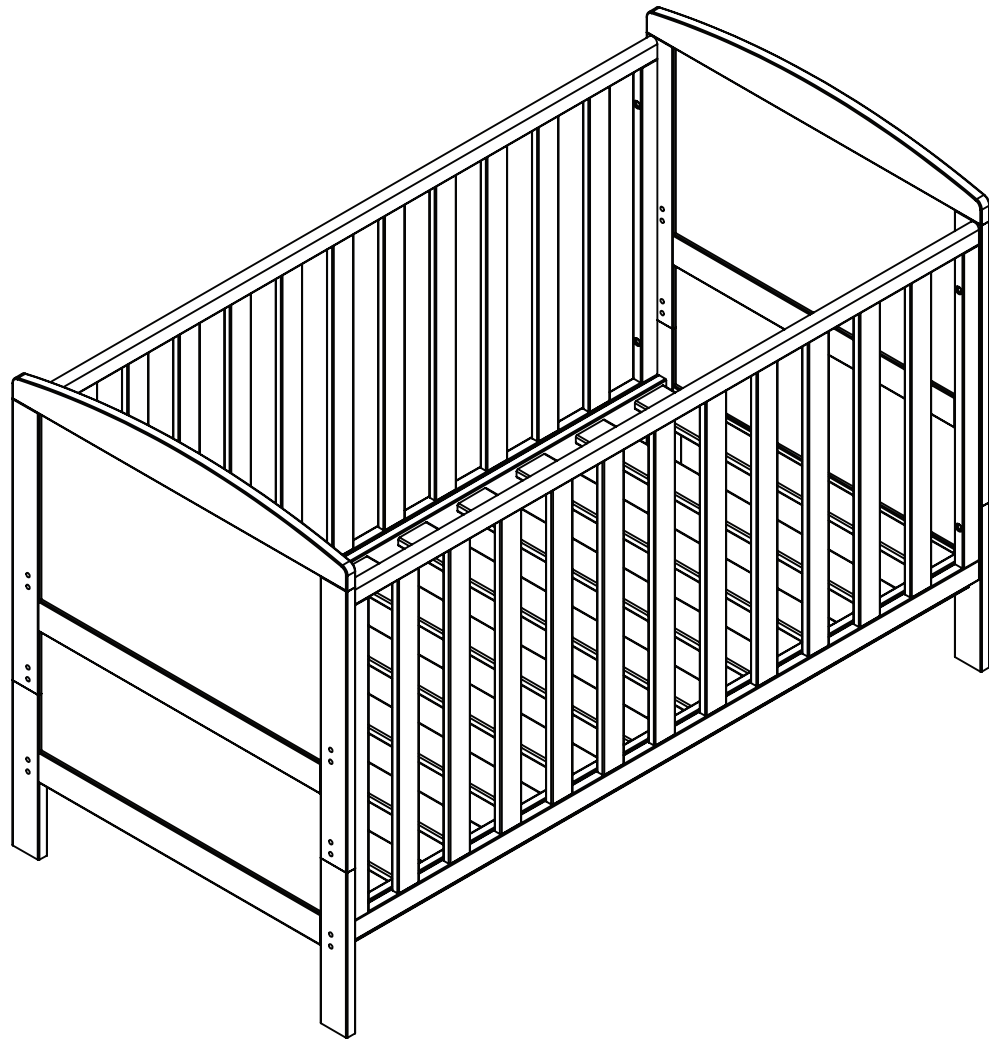




WILTON NURSERY COT BED INSTRUCTION MANUAL

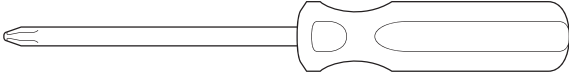


H95 W75 D144cm

Thank you for purchasing this Nursery cot bed.
Please read the instructions carefully before
use to ensure safe and satisfactory operation
of this product.

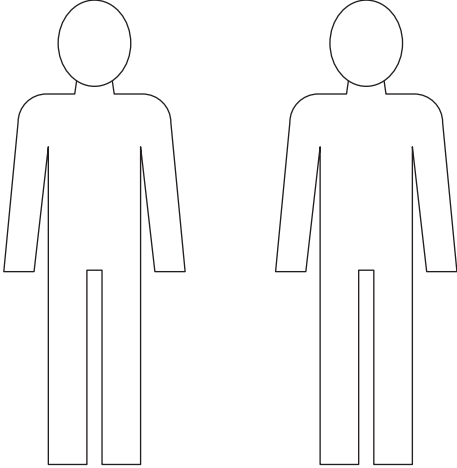
Tools required

Tools required



Time to assemble
30 Minutes

People to assemble



Warnings

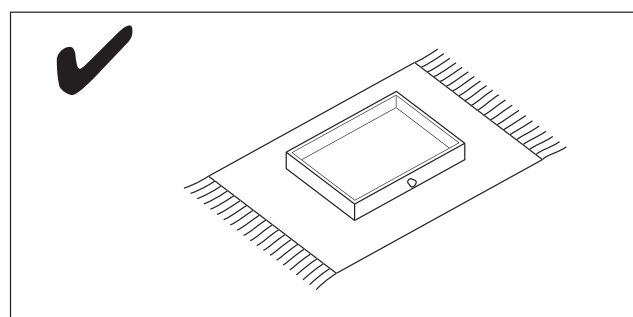
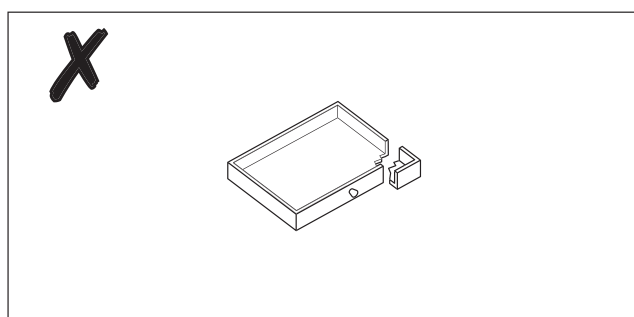
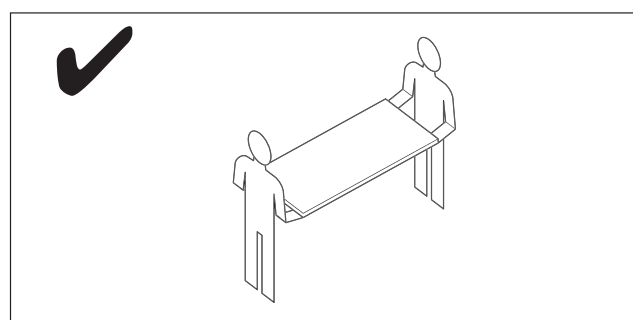
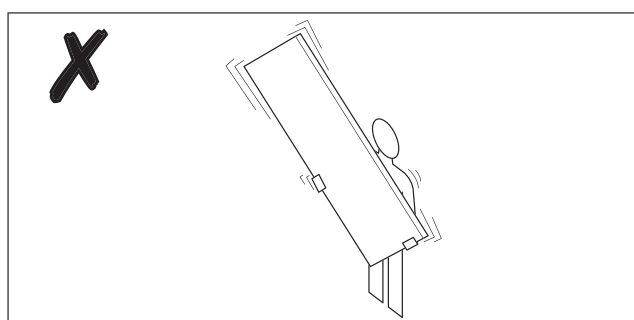
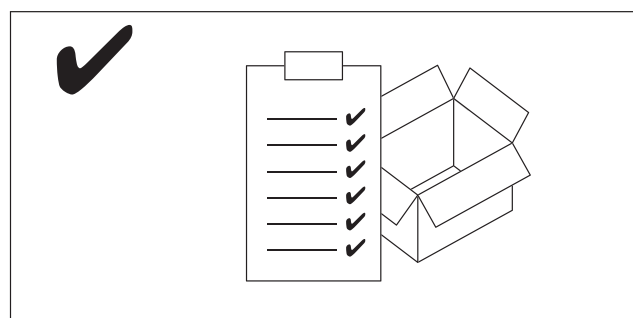
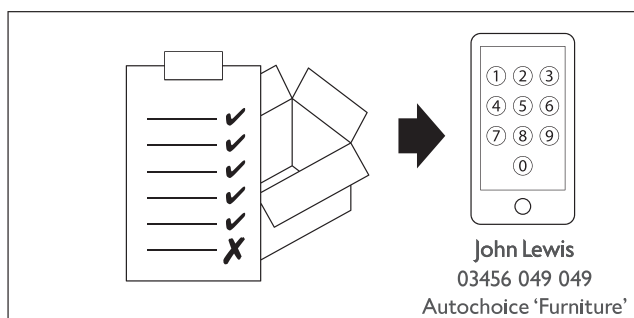
- ⚠ The product should only be used on firm, level ground.
- ⚠ Keep small parts out of reach of children.
- ⚠ Ensure the product is fully assembled as illustrated before use.
- ⚠ Care should be taken that no screws are loose because a child could trap parts of their body, or clothing (e.g. strings, necklaces, ribbons, dummies, etc) which could pose a risk of strangulation.
- ⚠ Ensure that the wall strap is used to securely attach the wardrobe to the wall to prevent tipping.
- ⚠ Any additional or replacement parts must only be obtained from John Lewis & Partners.

Do's

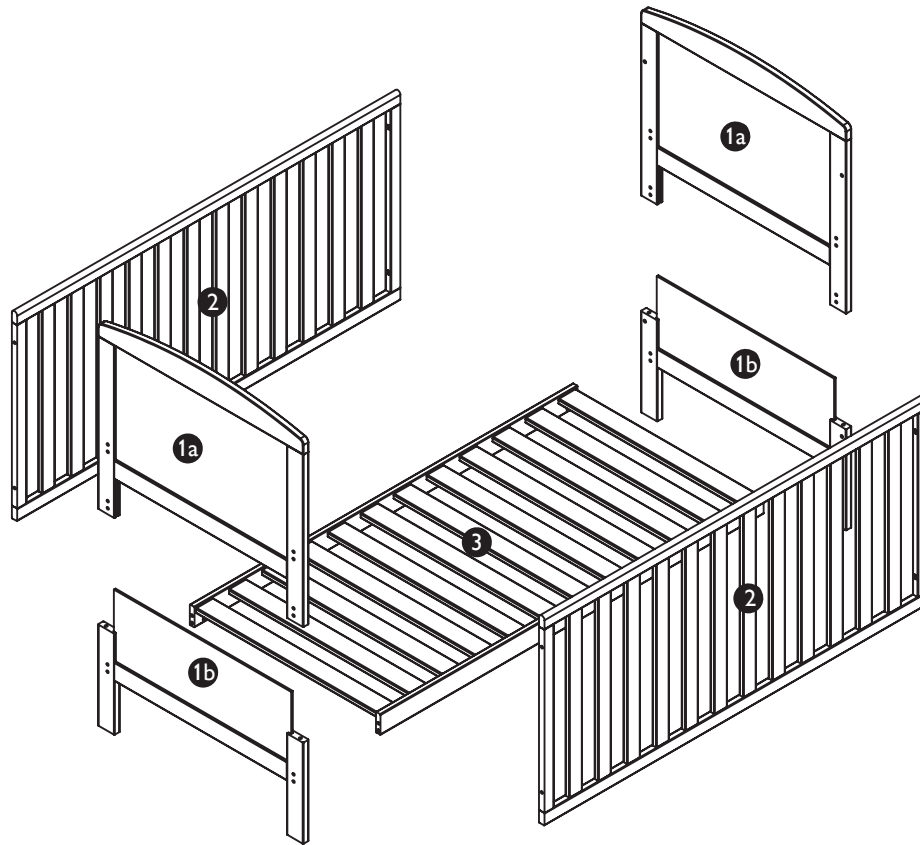
- ✓ Check the pack and make sure you have all the parts listed.
- ✓ Check all screws or bolts are tightened and inspect regularly.
- ✓ Make sure the legs remain in contact with the ground at all times.

Don'ts

- ✗ Do not over tighten screws or bolts.
- ✗ Do not stand on the product.
- ✗ Do not use power tools to construct as over tightening and panel failure may occur.

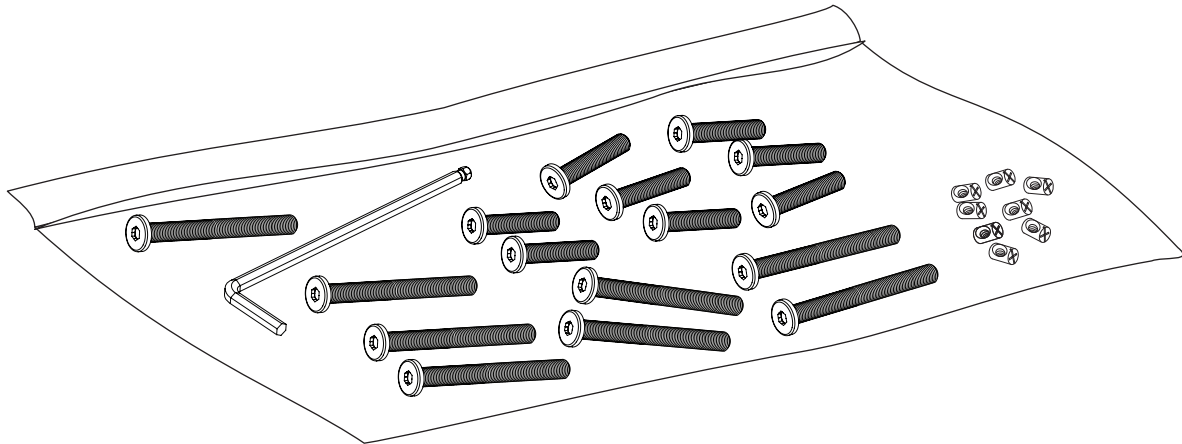


Parts list



Ref	Descriptions	Dimensions	Qty
①	Bed ends (1a)+(1b)		2
②	Sides		2
③	Base		1

Fixtures and fittings
supplied

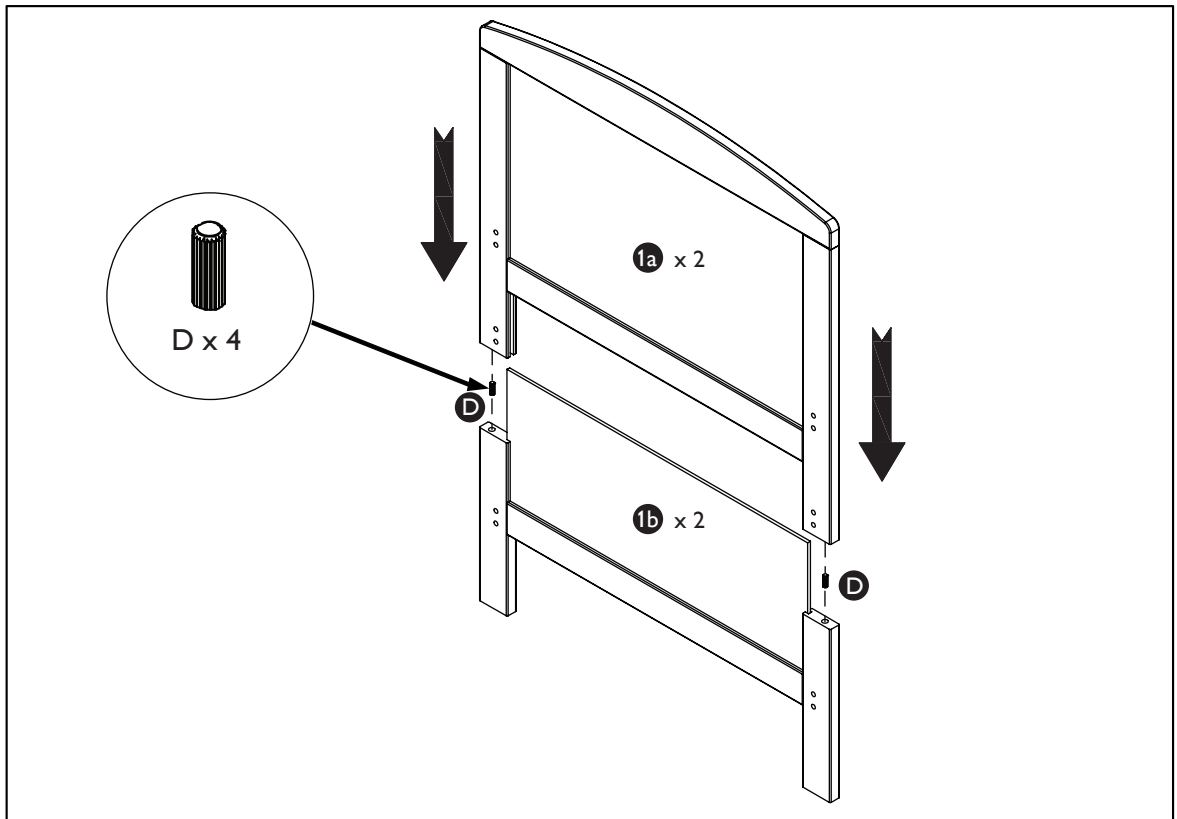


Ref	Descriptions	Dimensions	Qty	(not actual size)
A	Bolt	M6x70mm	8	
B	Bolt	M6x45mm	8	
C	Barrel Nut	M8x15mm	8	
D	Wooden Dowel	M8x40mm	4	

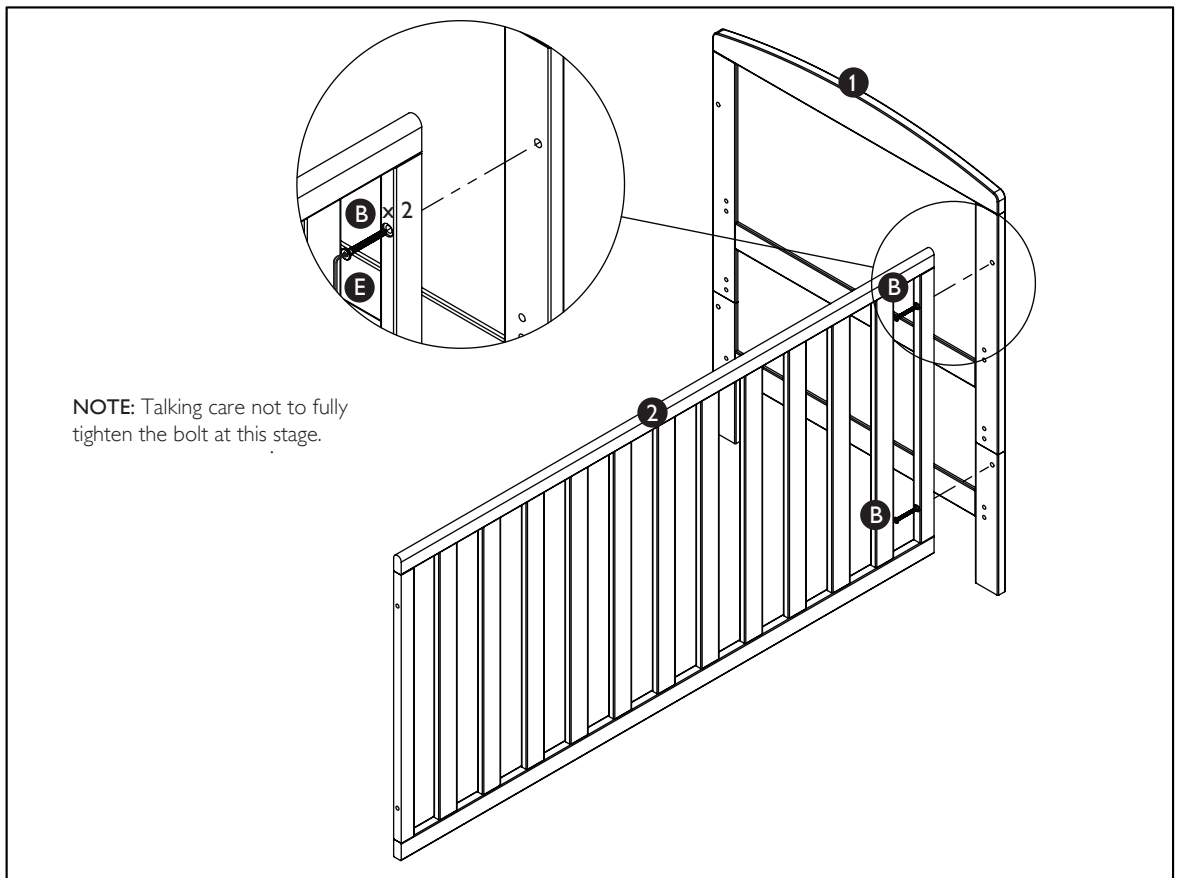
Ref	Descriptions	Dimensions	Qty	(not actual size)
E	Allen key M4		1	

Cot assembly

1

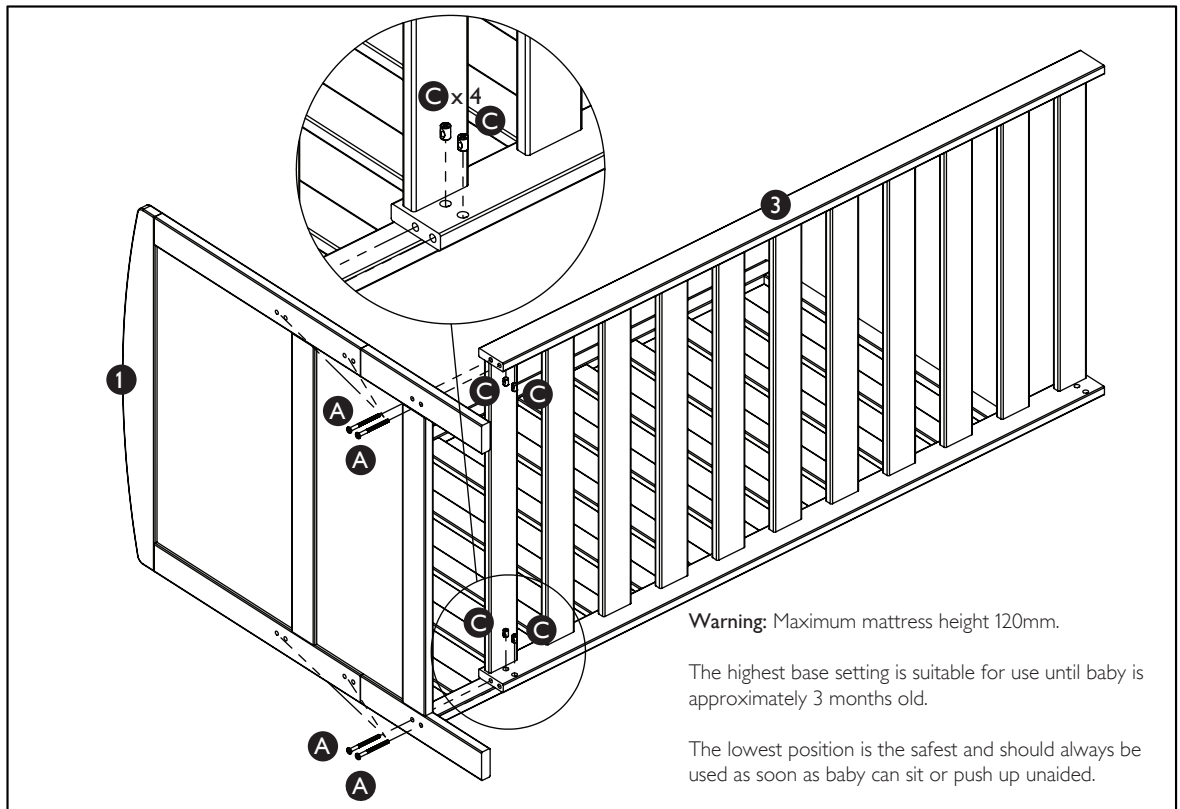


2

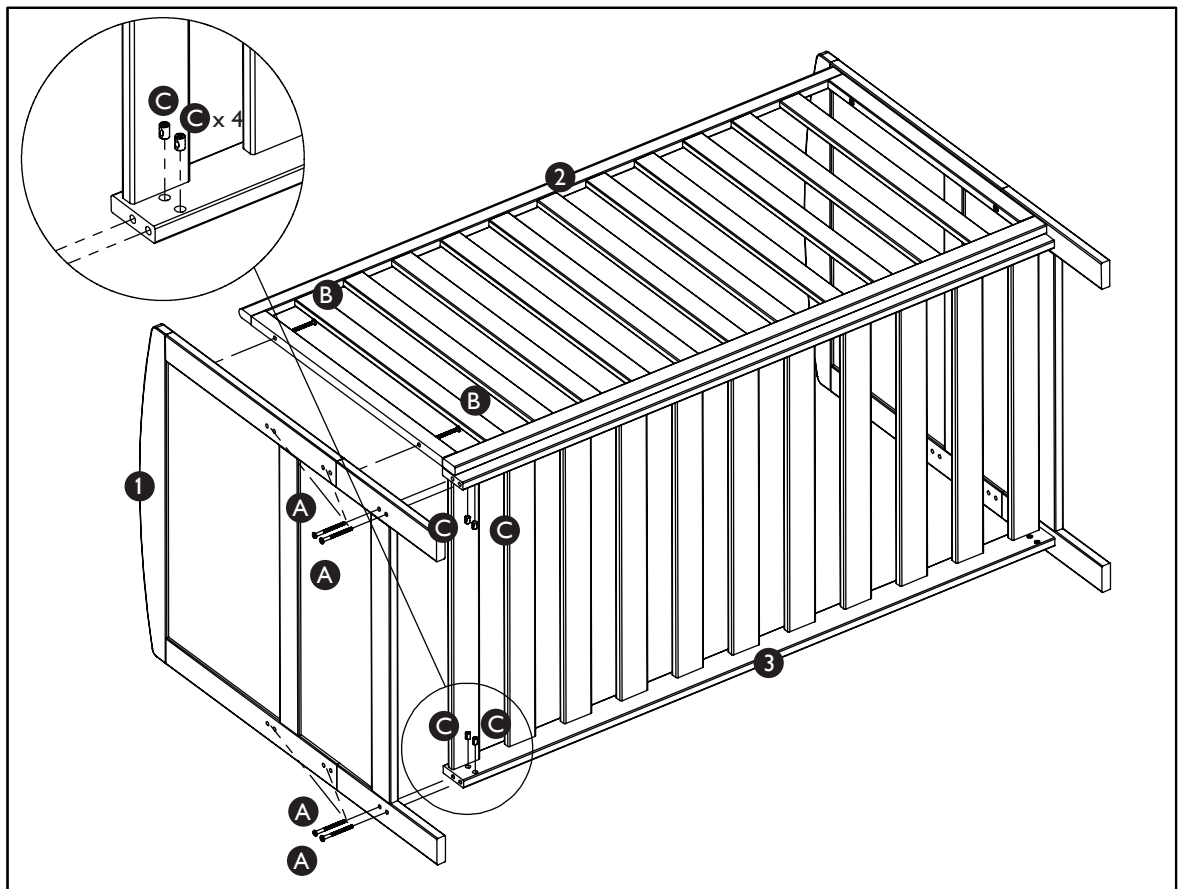


Cot assembly

3

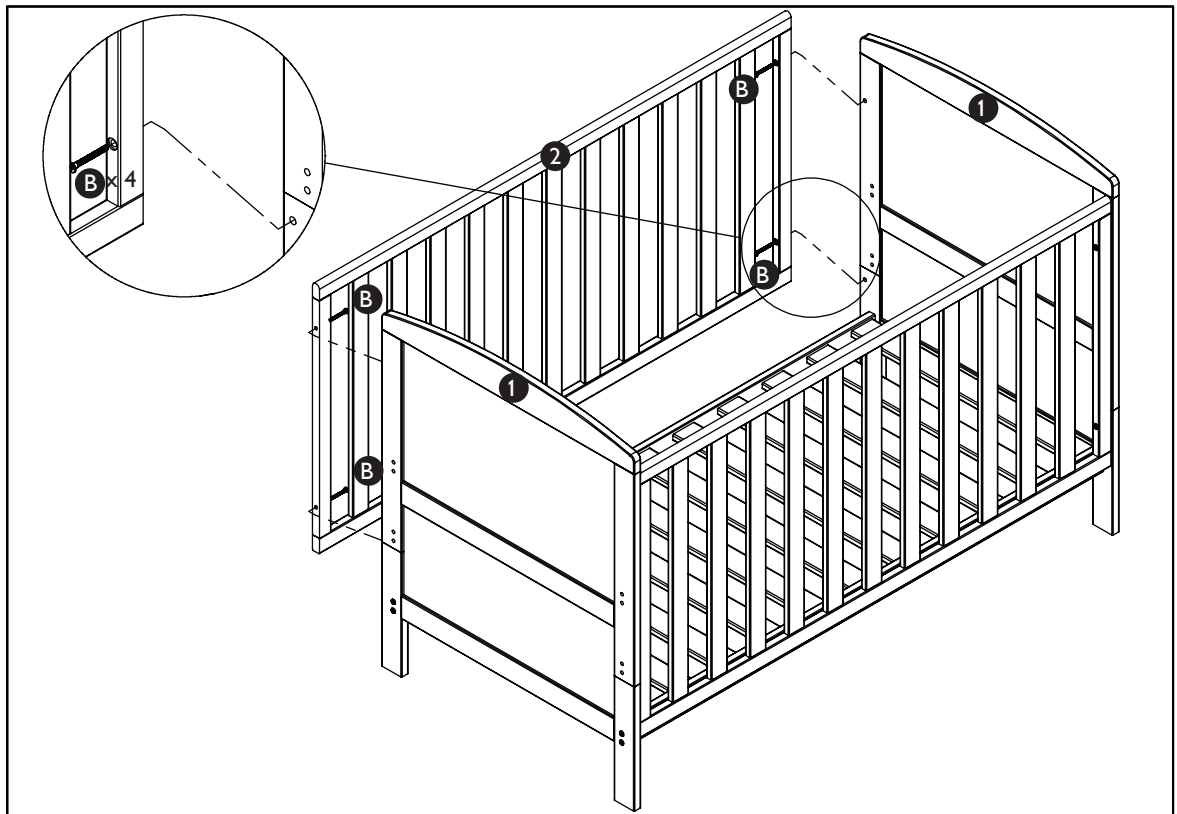


4



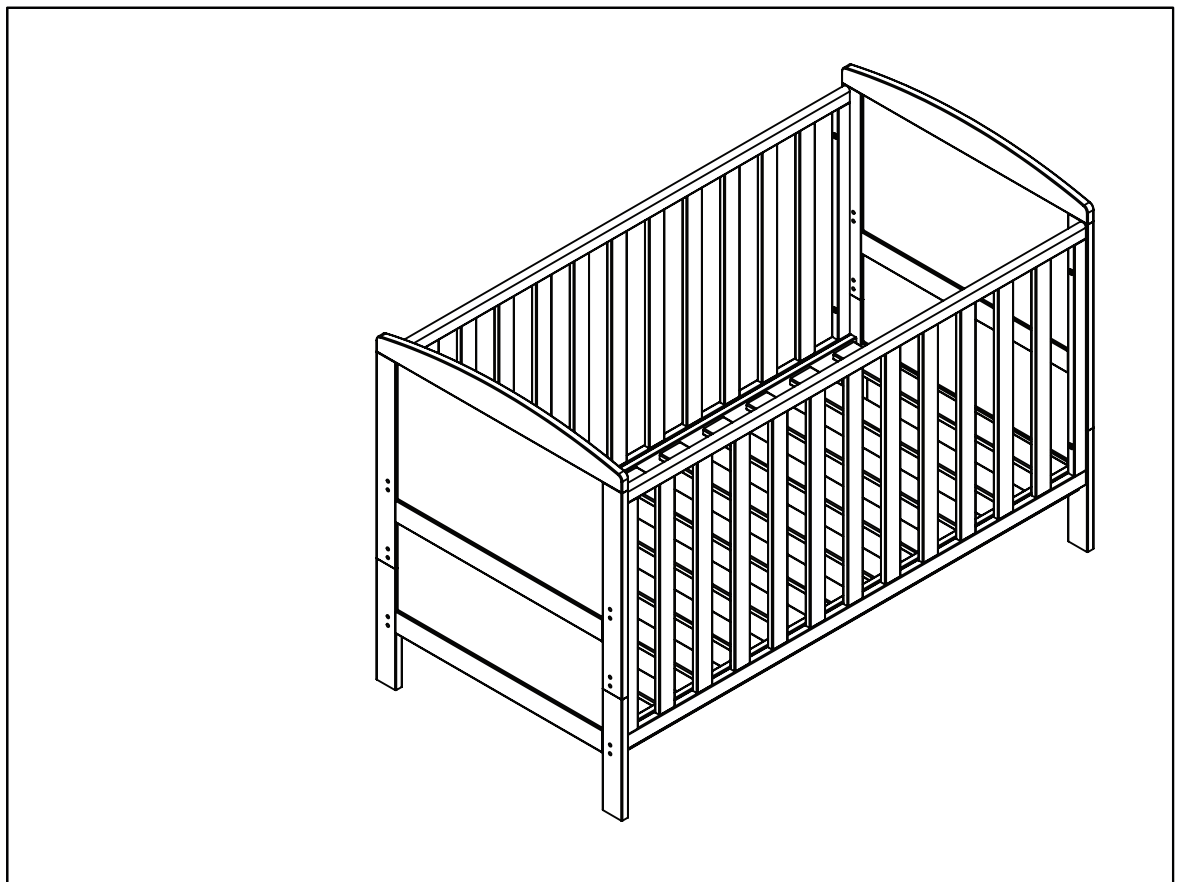
Cot assembly

5



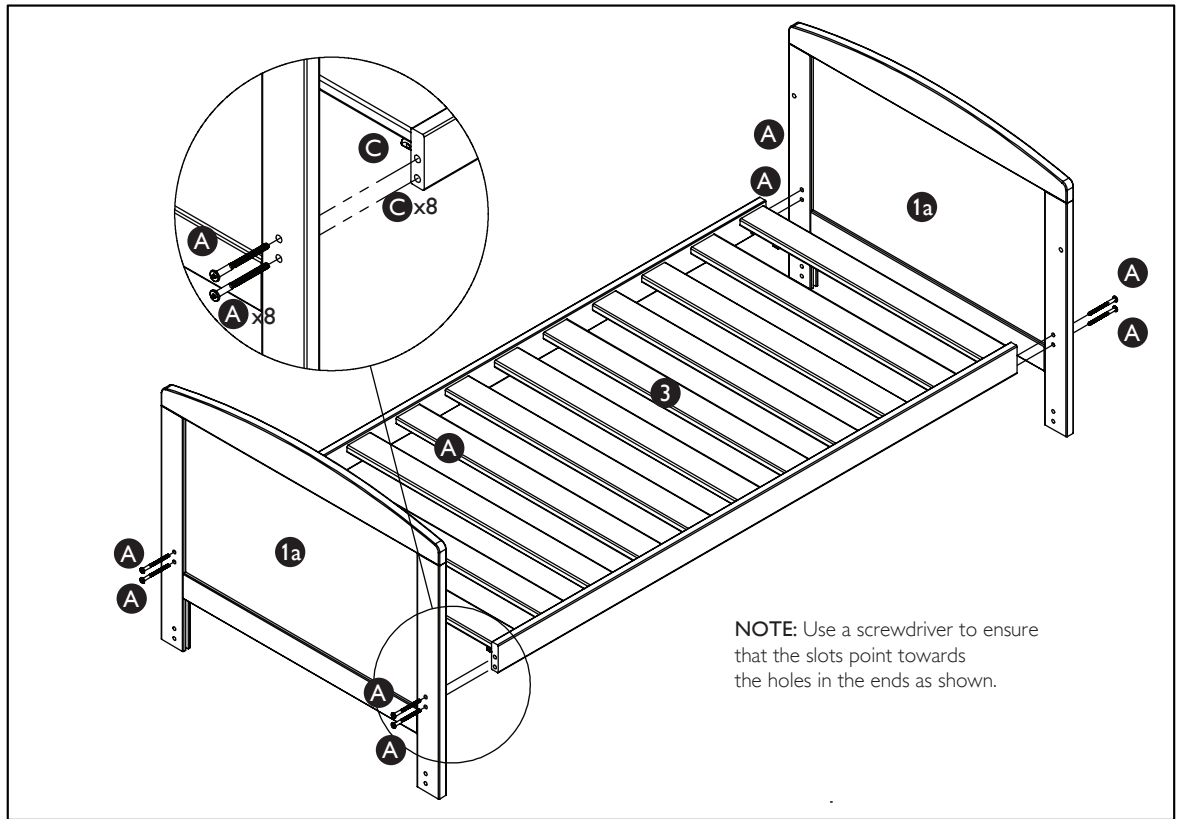
6

Ready to use



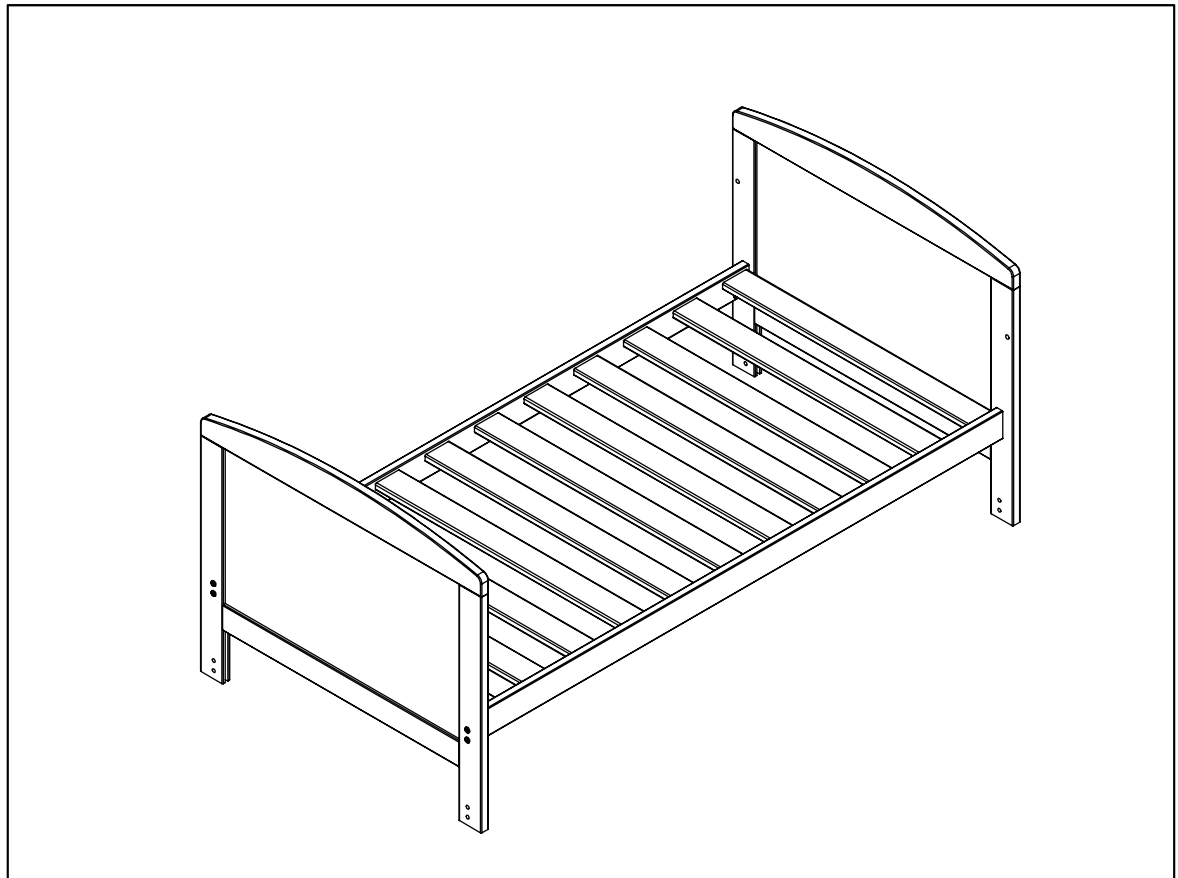
Toddler bed assembly

1



2

Ready to use



Care and maintenance

Wood furniture

Wood displays different grain patterns depending on which way they are cut — for example, the ‘medullary ray’ which can appear on oak furniture is a mark of good quality timber — these are just characteristics of the natural beauty of the wood. Some furniture is also deliberately aged and rustic.

Wood veneers also allow a distinctive pattern to be created on some surfaces, such as tabletops and drawer fronts by the way slivers are arranged.

All timber and veneer surfaces will change colour and mellow over time. New furniture will initially vary in shade from items that have been previously purchased.

How to care for your wood furniture

Your furniture may be cleaned by wiping with a damp cloth and drying with a soft clean cloth.

Do not use abrasives, bleach, alcohol or ammonia-based household polishes.

Take care when handling or moving the furniture. Careless handling may cause damage.

Our furniture will endure most temperatures in the home, but it is best to avoid placing furniture next to heat sources such as radiators or fires. Be particularly careful with solid wood as the lack of humidity caused by home heating can cause damage such as warping.

Safety instructions

Never drag furniture when moving it, always lift it. Periodically check all fixings to ensure none have come loose and retighten when necessary. Please take care when handling or moving the furniture as careless handling may cause damage or injury.

Furniture can be dangerous if incorrectly installed. Assembly should be carried out by a competent person. No liability will be accepted for damage or injury caused by incorrectly installed or assembled furniture.

Do not use this item if any components are missing or damaged.

It is recommended that before moving heavy objects to a new location they are completely dis-assembled to avoid personal injury or damage to the furniture. Please be careful to retain all fittings when doing this.

Keep children clear during assembly as pack contains small parts which may present a choking hazard.

This product complies with BS EN 716-1:2017 and BS 8509:2008

Warning: Be aware of the risk of open fire and other sources of strong heat, such as electric bar fires, gas fires, etc. in the near vicinity of the cot;

Warning: Do not use the cot if any part is broken, torn or missing and use only spare parts approved by the manufacturer;

Warning: Do not leave anything in the cot or place the cot close to another product, which could provide a foothold or present a danger of suffocation or strangulation, e.g. strings, blind/curtain cords;

Warning: Do not use more than one mattress in the cot.

The lowest base position is the safest and should be used as soon as your baby is old enough to sit up.

The thickness of the mattress chosen must not reduce the internal depth (from the top of the mattress surface to the top of the side) to less than 500mm with the base in its lowest position or 200mm with the base in the highest position.

The mattress should be no more than 30mm shorter or narrower than the internal length or width of the cotbed. Suitable for use with a mattress of 1400mm in length, 700mm in width and a maximum thickness of 120mm.

All assembly fixings should always be tightened properly. Periodically check all fixings to ensure none have come loose, and that there is no risk of clothing or parts of the body becoming snagged or trapped.

To prevent falls, when the child is able to climb out of the cot, the cot should no longer be used for that child.

Do not allow your child to jump on the cotbed. This may result in damage to the furniture and/or injury to your child.

WARNING: Cot suitable from birth up to 18 months old. Toddler bed suitable from 18 months to 4 years.

Your feedback is very important to us and we would love to hear your comments on your new furniture. Please visit our website to leave a review. Thank you.