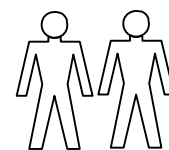


*DO NOT DRAG*  
*2 MAN LIFT*

# *Genoa*



---

## *Dresser*

---

Assembly instruction



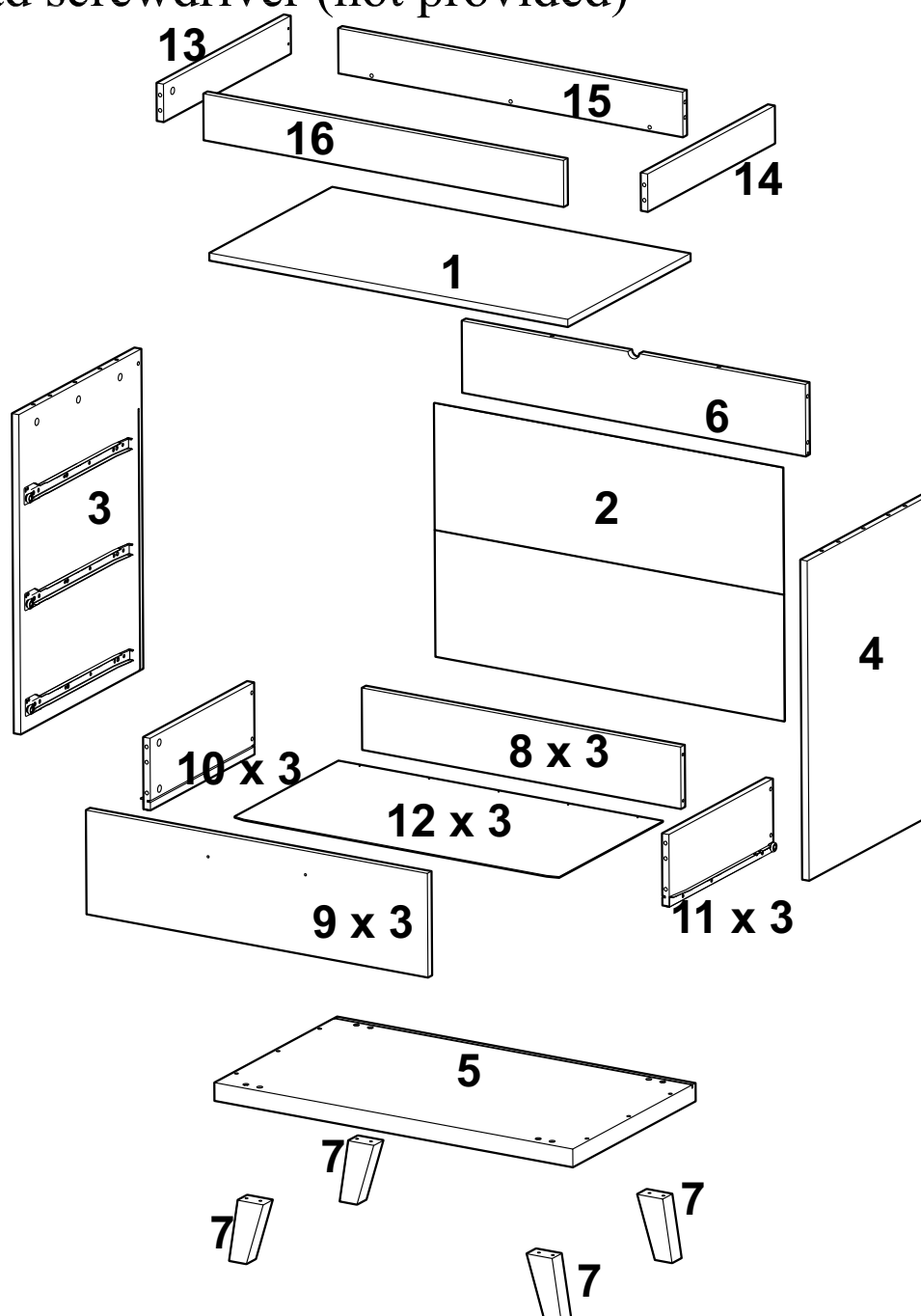
**IMPORTANT: RETAIN FOR FUTURE REFERENCE:  
READ CAREFULLY**




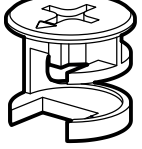
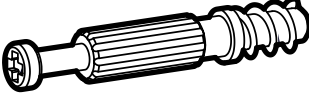
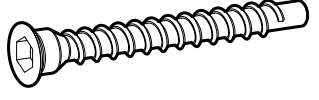


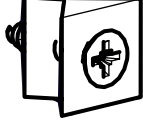
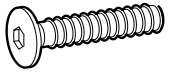

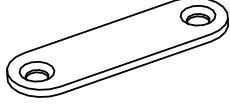
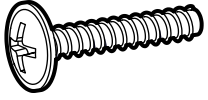
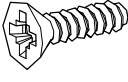
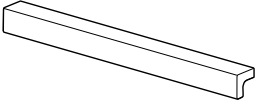
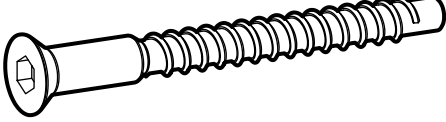
**IND. 4020420**

## BEFORE ASSEMBLY:


### MAIN COMPONENTS

- unpack all the parts and identify them against the fittings and components list.
- do not discard any packaging until you have checked that you have all parts as shown below.
- you may find the construction of your dresser easier if you have the help of another person.
- crosshead screwdriver (not provided)



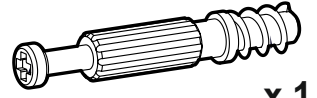
<p>1000806</p>  <p>x 1</p>	<p>1005857</p>  <p>x 14</p>	<p>1002152</p>  <p>x 3</p>
<p>1005367</p>  <p>x 28</p>	<p>1006091</p>  <p>x 28</p>	<p>1005876</p>  <p>x 12</p>
<p>1006012</p>  <p>x 15</p>	<p>1000893</p>  <p>x 1</p>	<p>1006022</p>  <p>x 7</p>
<p>1005727</p>  <p>x 3</p>	<p>1005926</p>  <p>x 6</p>	<p>1001786</p>  <p>x 2</p>
<p>1006031</p>  <p>x 6</p>	<p>1115207</p>  <p>x 4</p>	<p>1122724</p>  <p>x 3</p>
<p>1005962</p>  <p>x 14</p>		

EN. In case of complain please advise the spare part number.

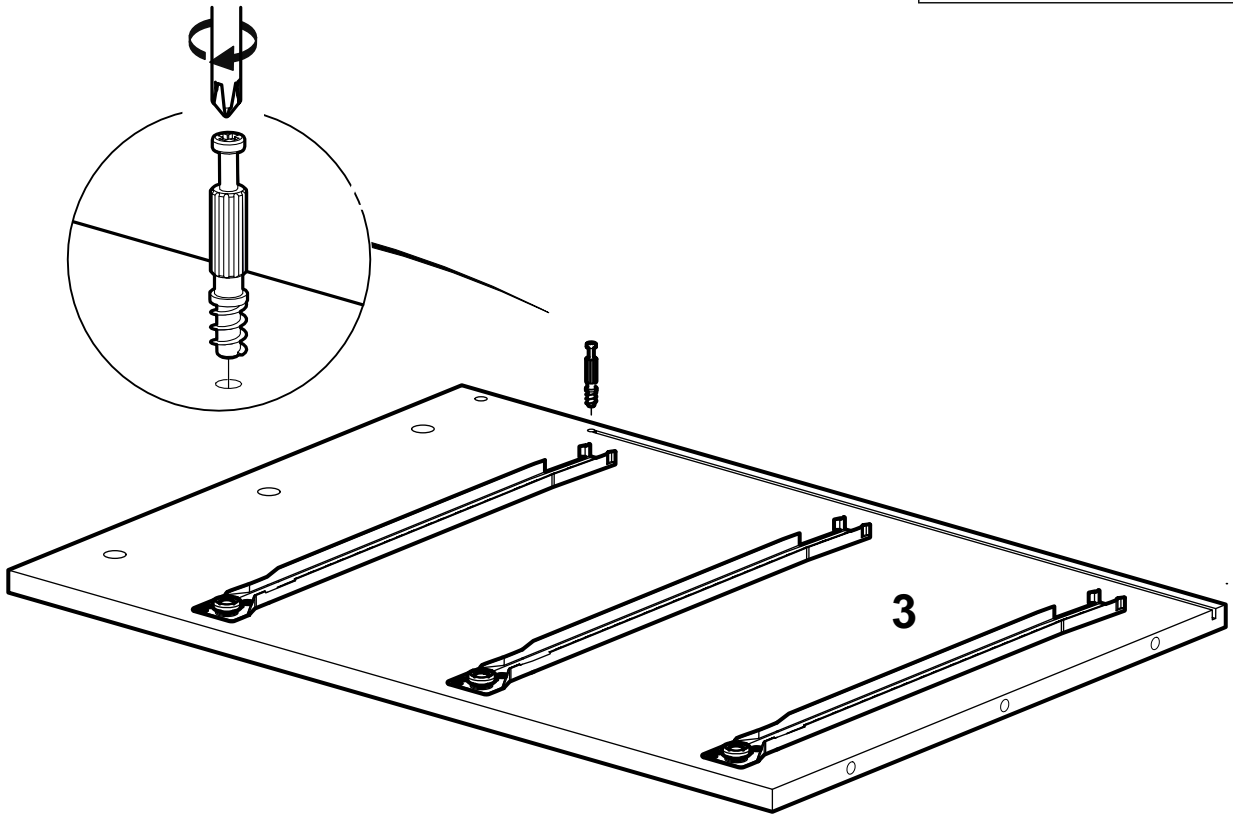
<b>ARTIKELNUMMER ITEM NUMER</b>			<b>AANTAL</b>	<b>AFTMETINGEN [mm]</b>		
<b>ARTIKELNUMMER</b>		<b>4020420</b>	<b>QUANTITY ANZAHL</b>	<b>DIMENSIONS [mm] ABMESSUNGEN [mm]</b>		
<b>1</b>	<b>2/2</b>	<b>2204220</b>	<b>1</b>	<b>825</b>	<b>472</b>	<b>16</b>
<b>2</b>	<b>2/2</b>	<b>2163707</b>	<b>1</b>	<b>803</b>	<b>518</b>	<b>2,5</b>
<b>3</b>	<b>1/2</b>	<b>2204222</b>	<b>1</b>	<b>666</b>	<b>471</b>	<b>16</b>
<b>4</b>	<b>1/2</b>	<b>2204223</b>	<b>1</b>	<b>666</b>	<b>471</b>	<b>16</b>
<b>5</b>	<b>2/2</b>	<b>2204221</b>	<b>2</b>	<b>825</b>	<b>472</b>	<b>38</b>
<b>6</b>	<b>1/2</b>	<b>2204224</b>	<b>1</b>	<b>791</b>	<b>150</b>	<b>16</b>
<b>7</b>	<b>1/2</b>	<b>1122725</b>	<b>4</b>	<b>141</b>	<b>59</b>	<b>38</b>
<b>8</b>	<b>1/2</b>	<b>2204228</b>	<b>1</b>	<b>734</b>	<b>129</b>	<b>16</b>
<b>9</b>	<b>1/2</b>	<b>2204225</b>	<b>1</b>	<b>786</b>	<b>217</b>	<b>16</b>
<b>10</b>	<b>2/2</b>	<b>2204215</b>	<b>1</b>	<b>400</b>	<b>150</b>	<b>16</b>
<b>11</b>	<b>2/2</b>	<b>2204216</b>	<b>1</b>	<b>400</b>	<b>150</b>	<b>16</b>
<b>12</b>	<b>2/2</b>	<b>2204229</b>	<b>1</b>	<b>747</b>	<b>405</b>	<b>2,5</b>
<b>13</b>	<b>1/2</b>	<b>2204233</b>	<b>1</b>	<b>489</b>	<b>79</b>	<b>16</b>
<b>14</b>	<b>1/2</b>	<b>2204234</b>	<b>1</b>	<b>489</b>	<b>79</b>	<b>16</b>
<b>15</b>	<b>1/2</b>	<b>2204232</b>	<b>1</b>	<b>793</b>	<b>94</b>	<b>16</b>
<b>16</b>	<b>1/2</b>	<b>2204231</b>	<b>1</b>	<b>829</b>	<b>97</b>	<b>16</b>

1

1006091

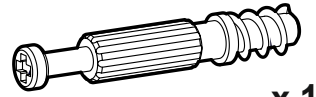


x 1

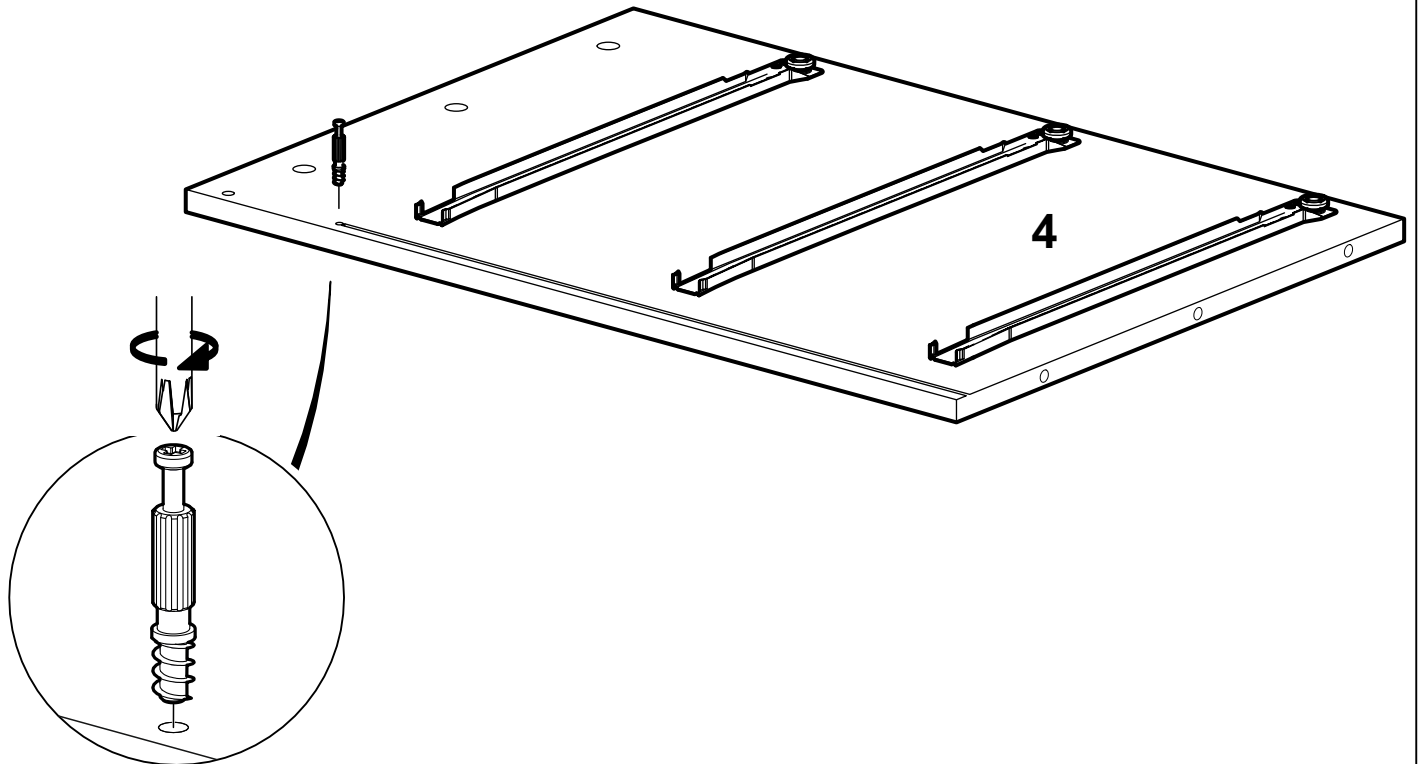


2

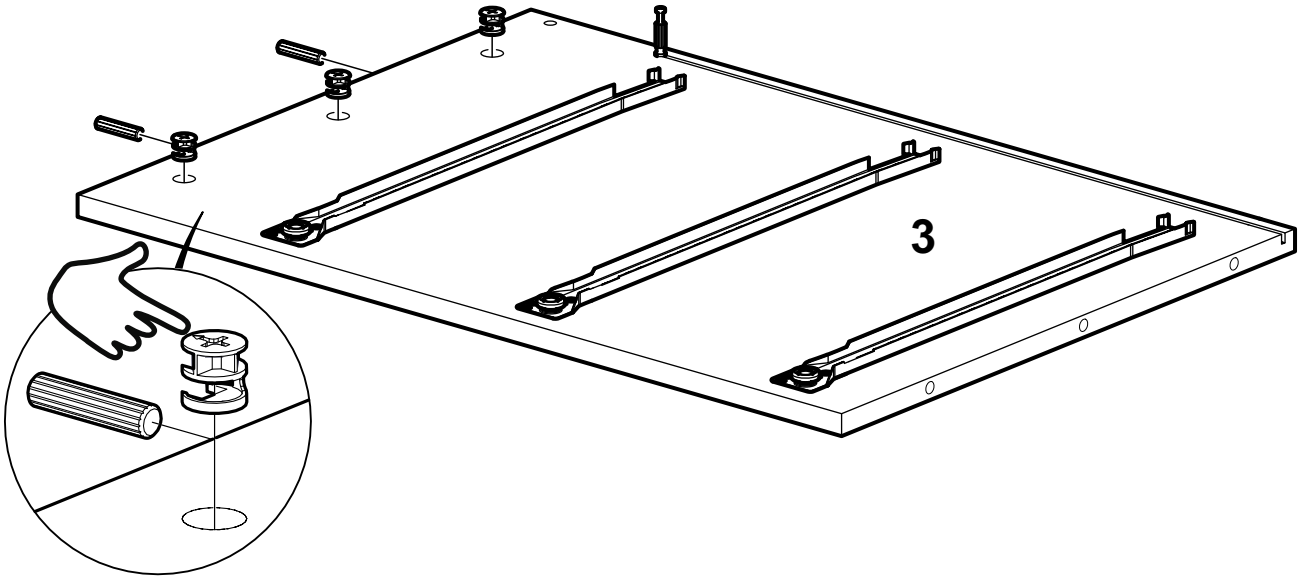
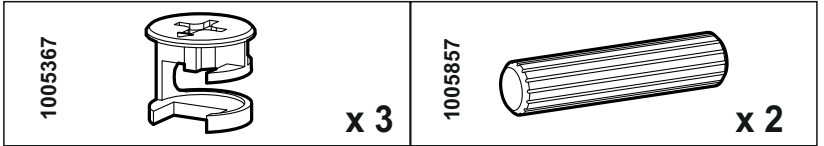
1006091



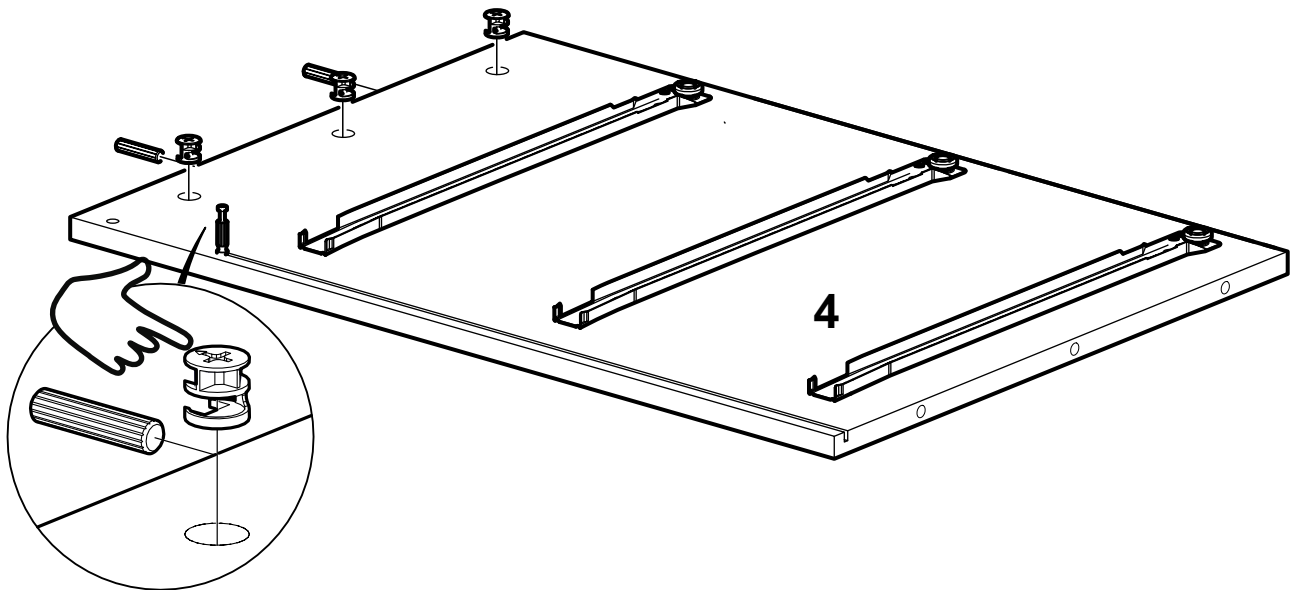
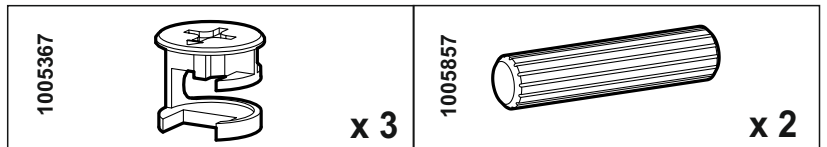
x 1



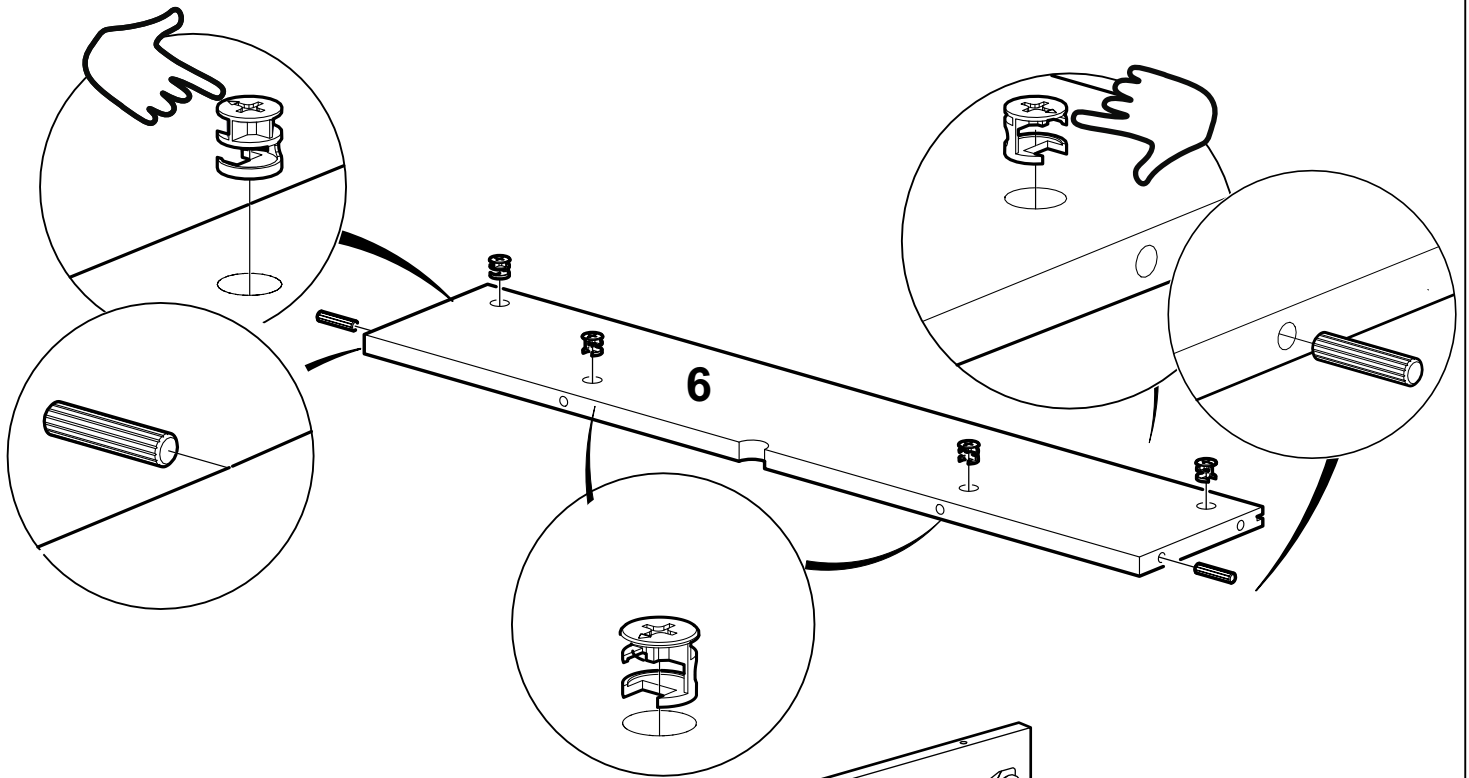
3



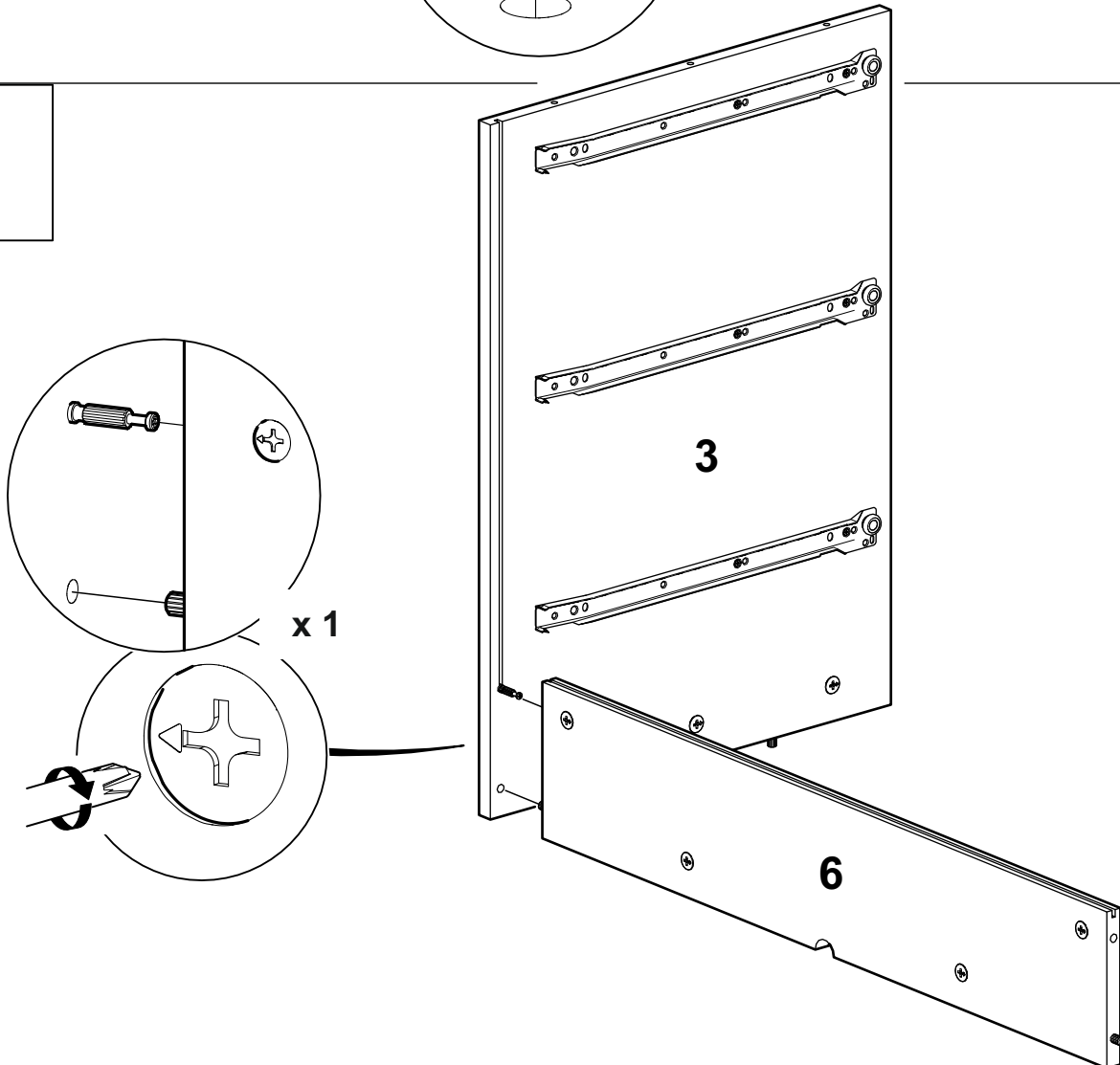
4



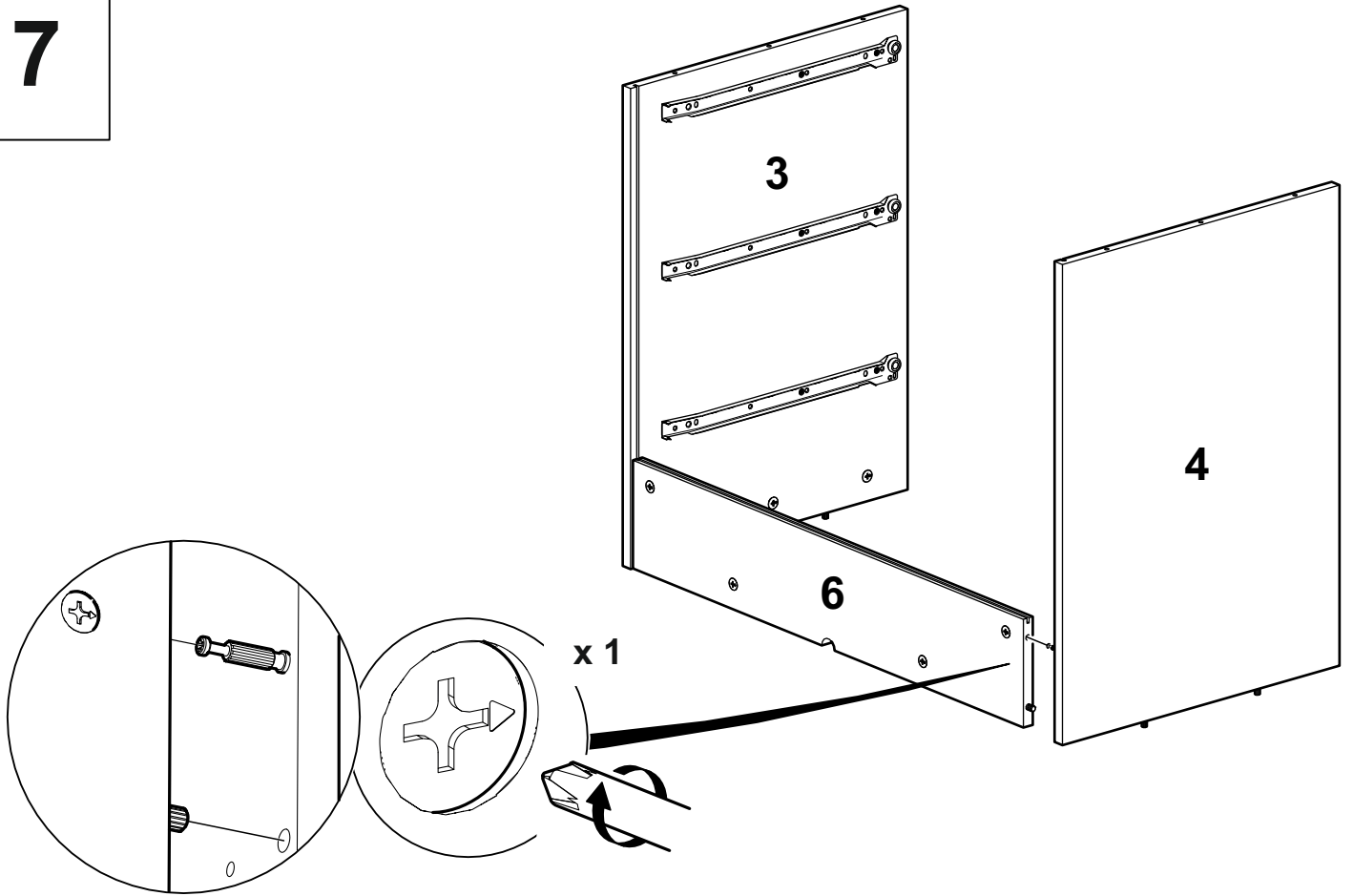
5



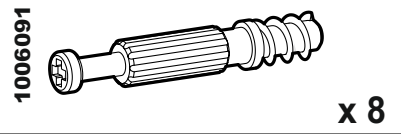
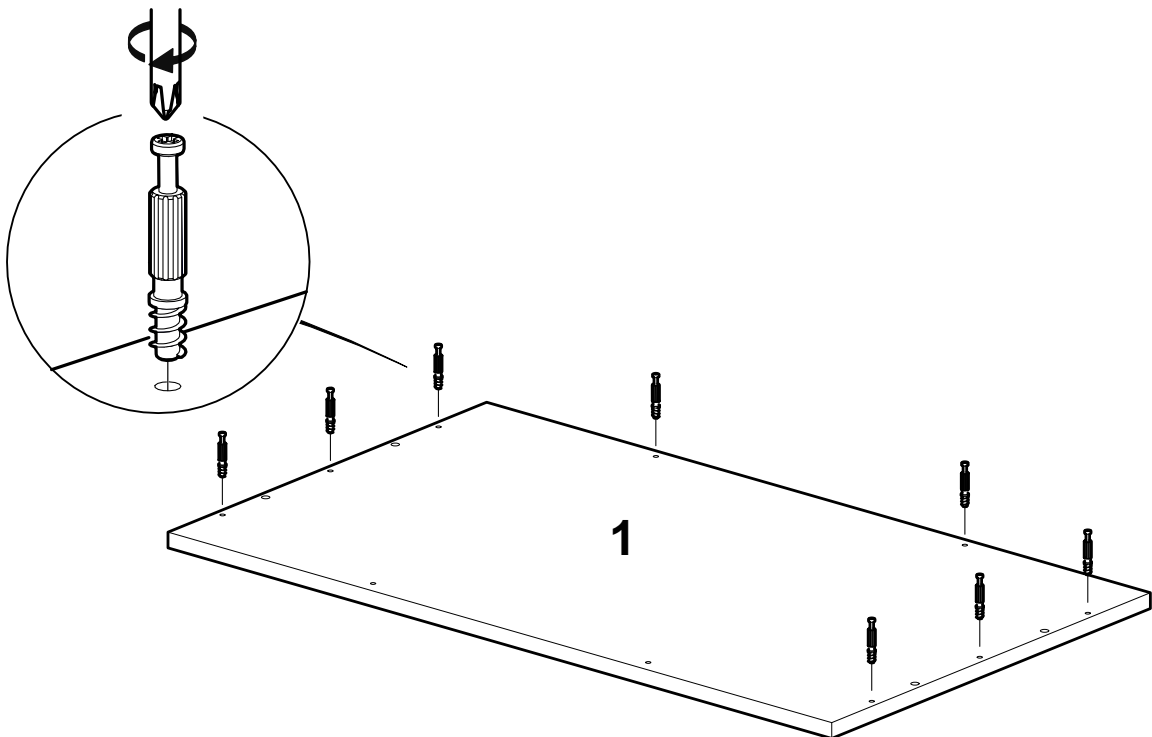
6



7

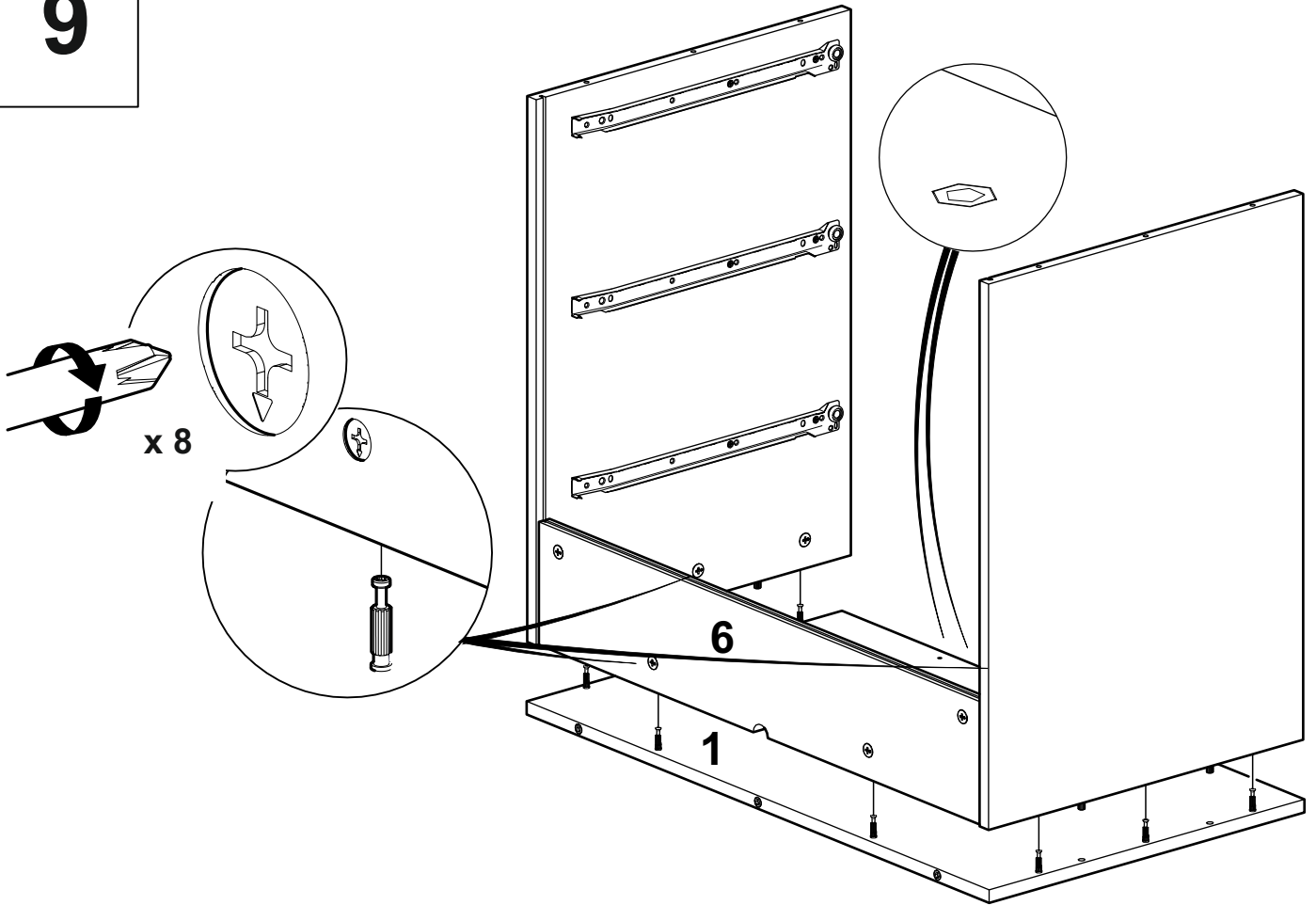


8

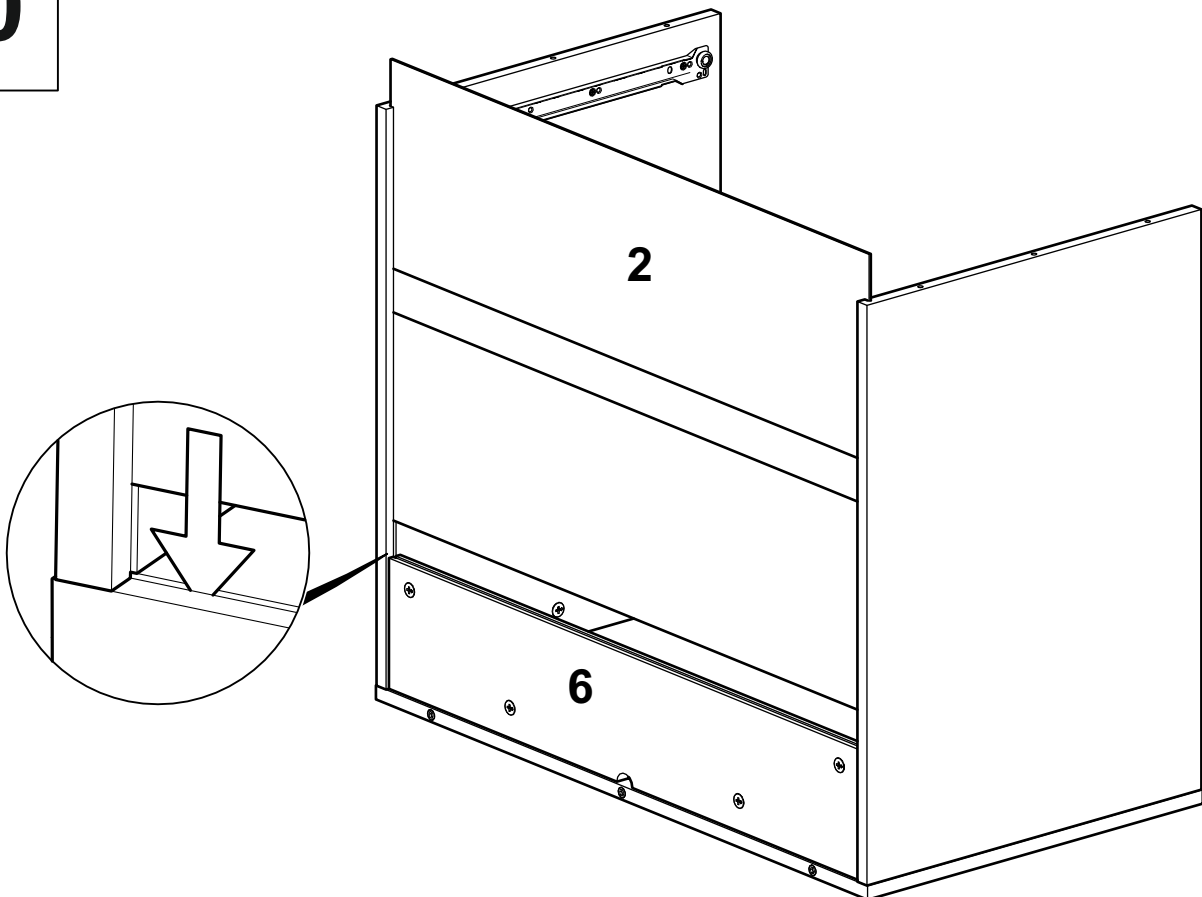




9

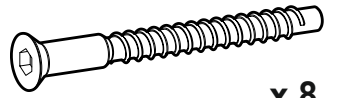


10

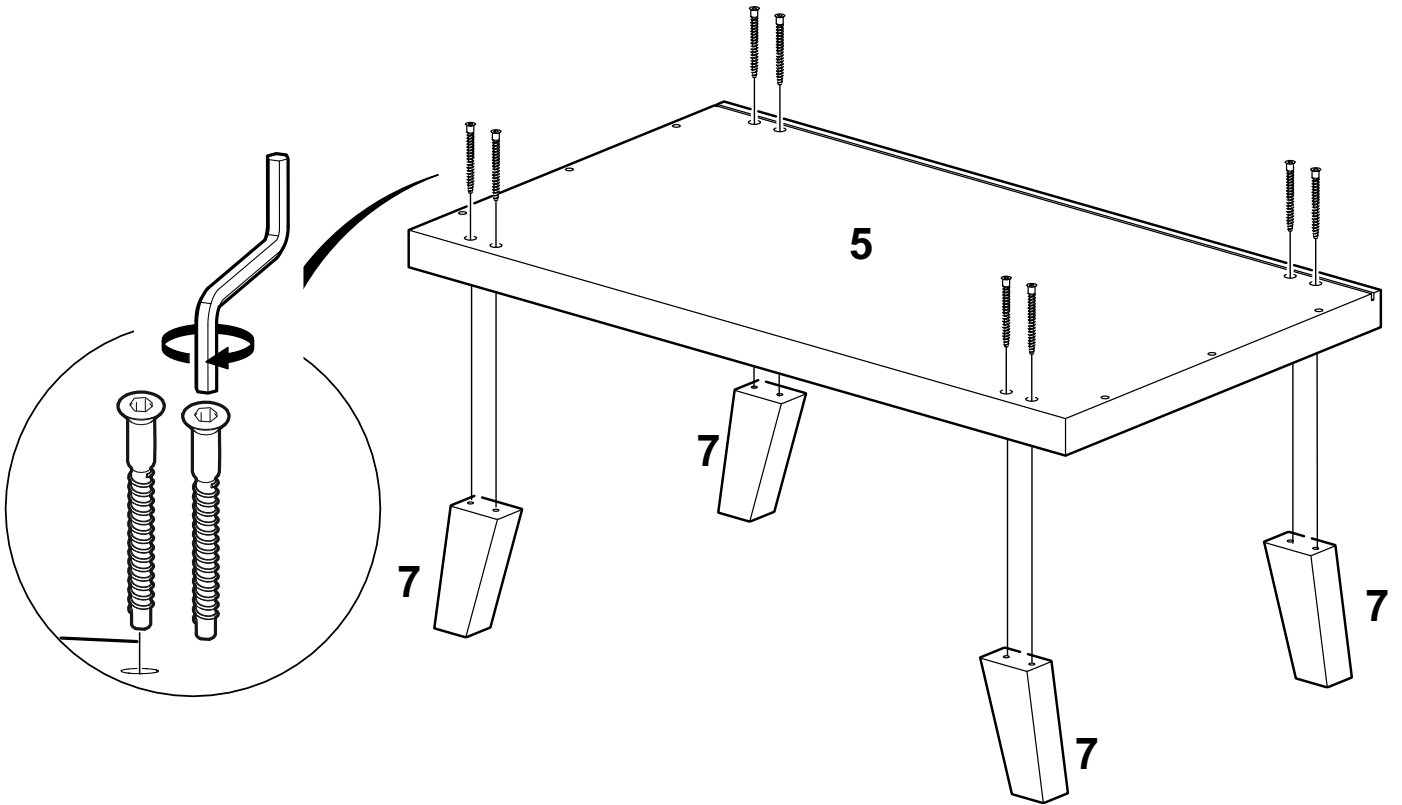


11

1005962

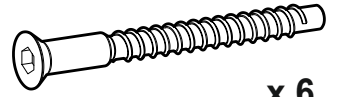


x 8

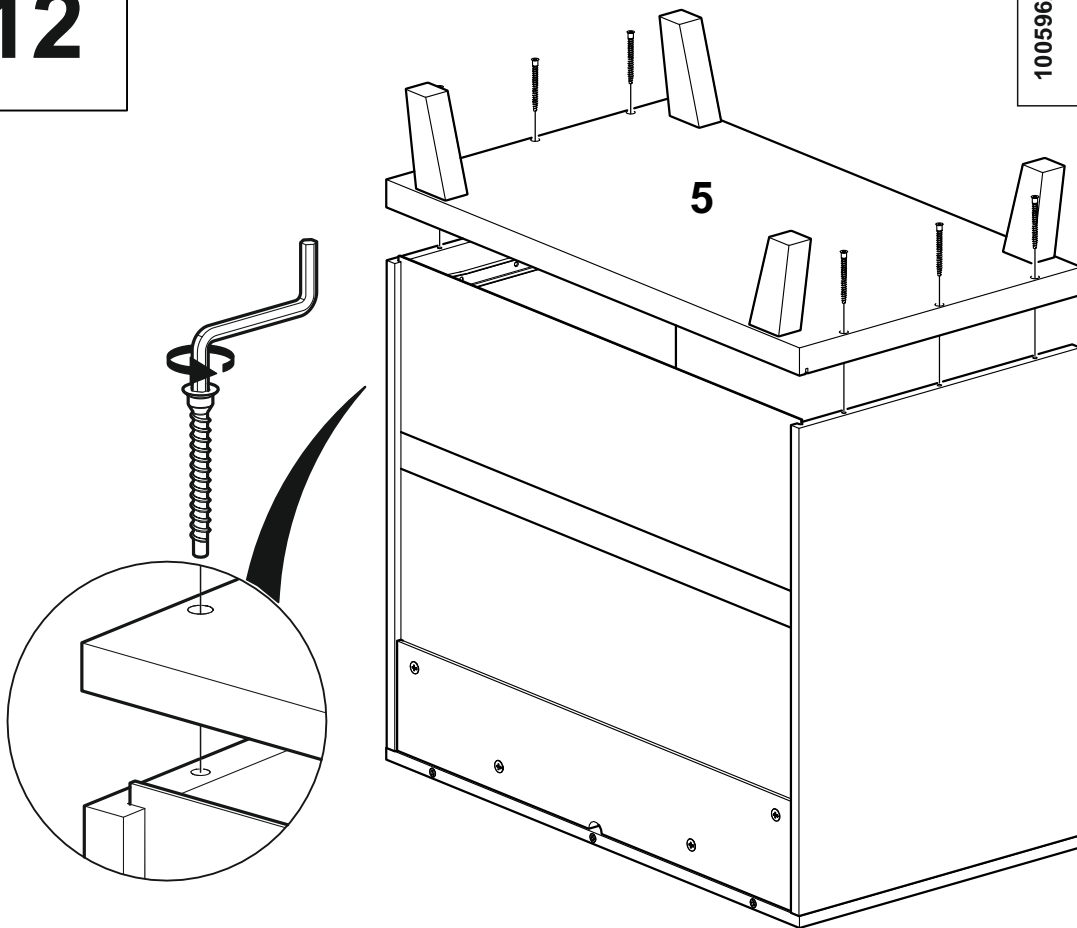


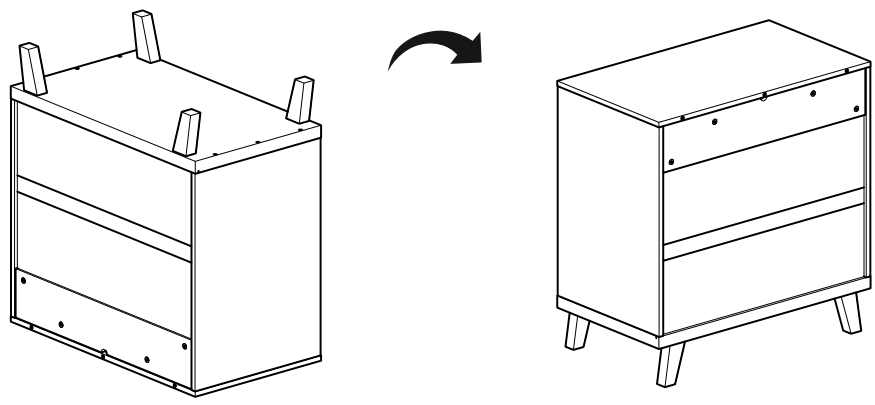
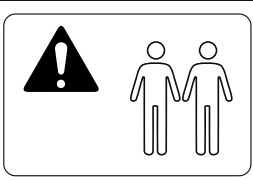
12

1005962

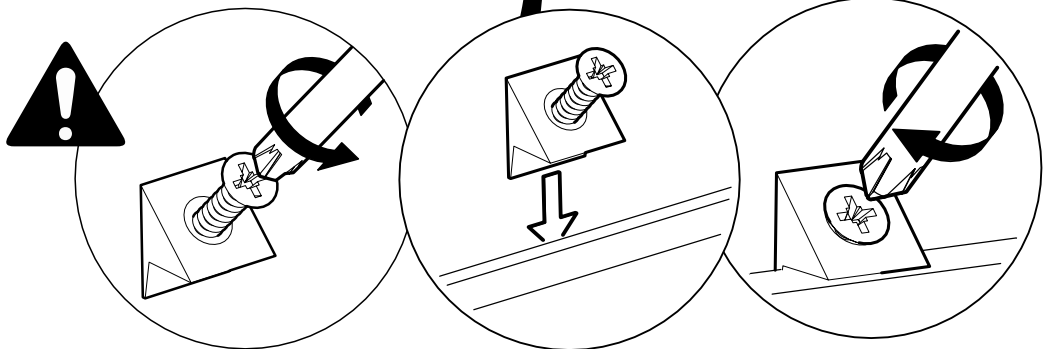
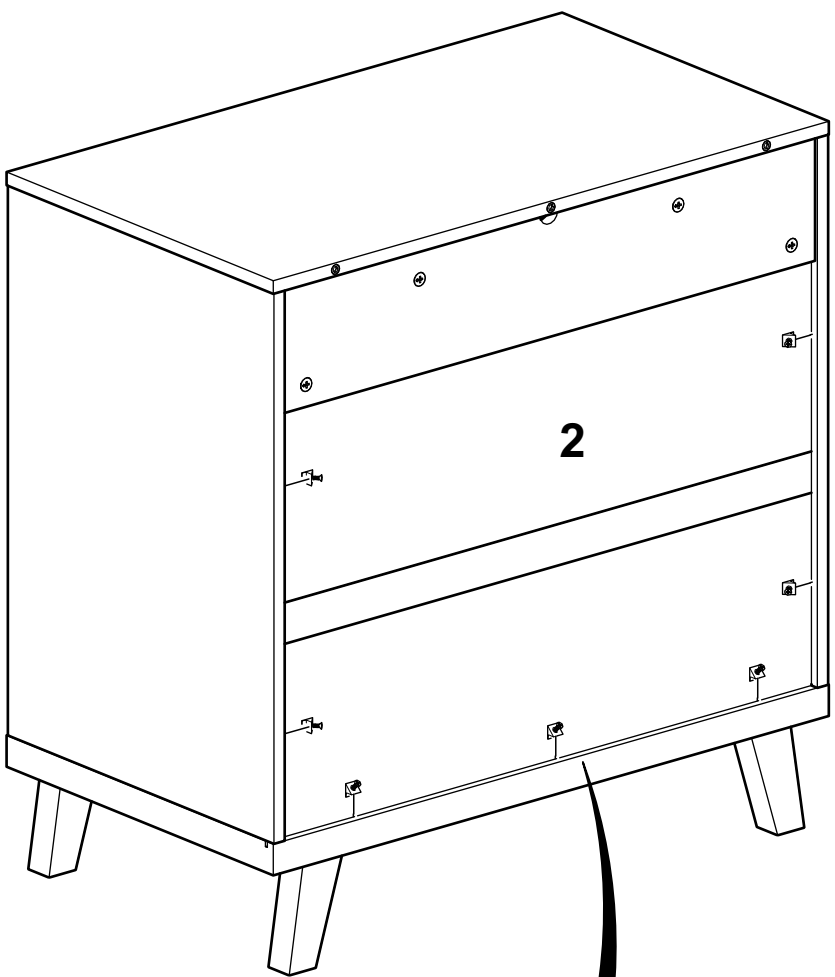
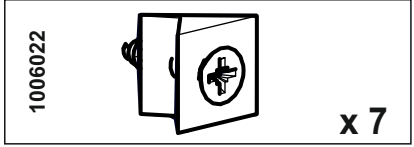


x 6

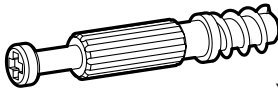

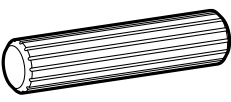


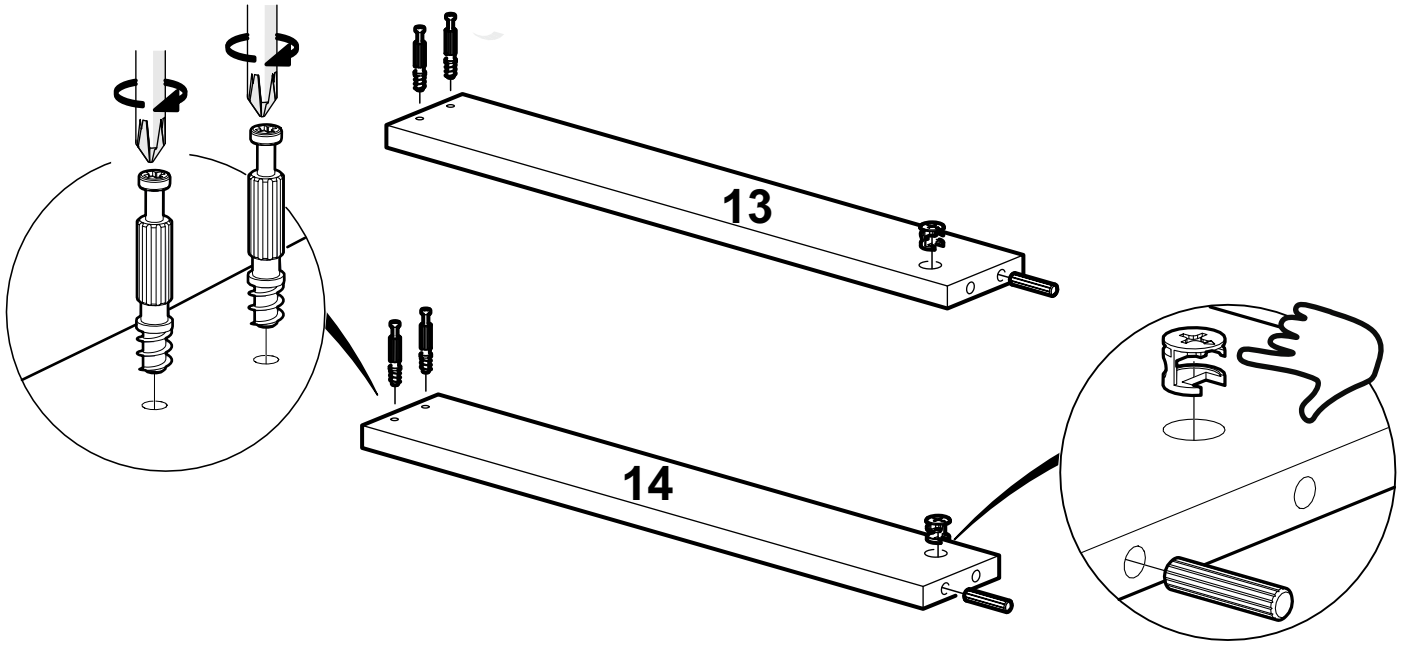


**13**

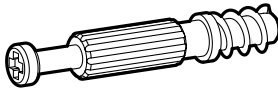
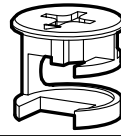


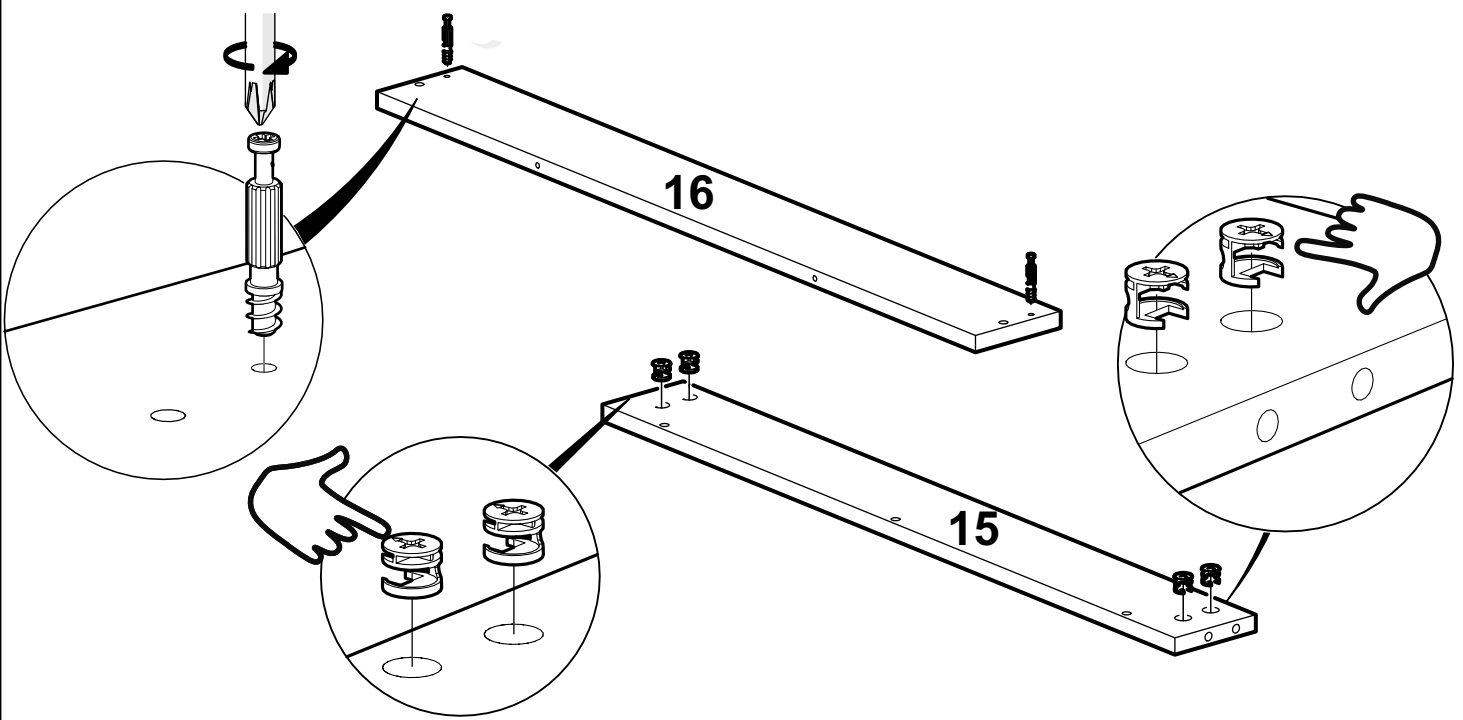
# 14

1006091		x 4	1005367		x 2	1005857		x 2
---------	---	-----	---------	---	-----	---------	---	-----

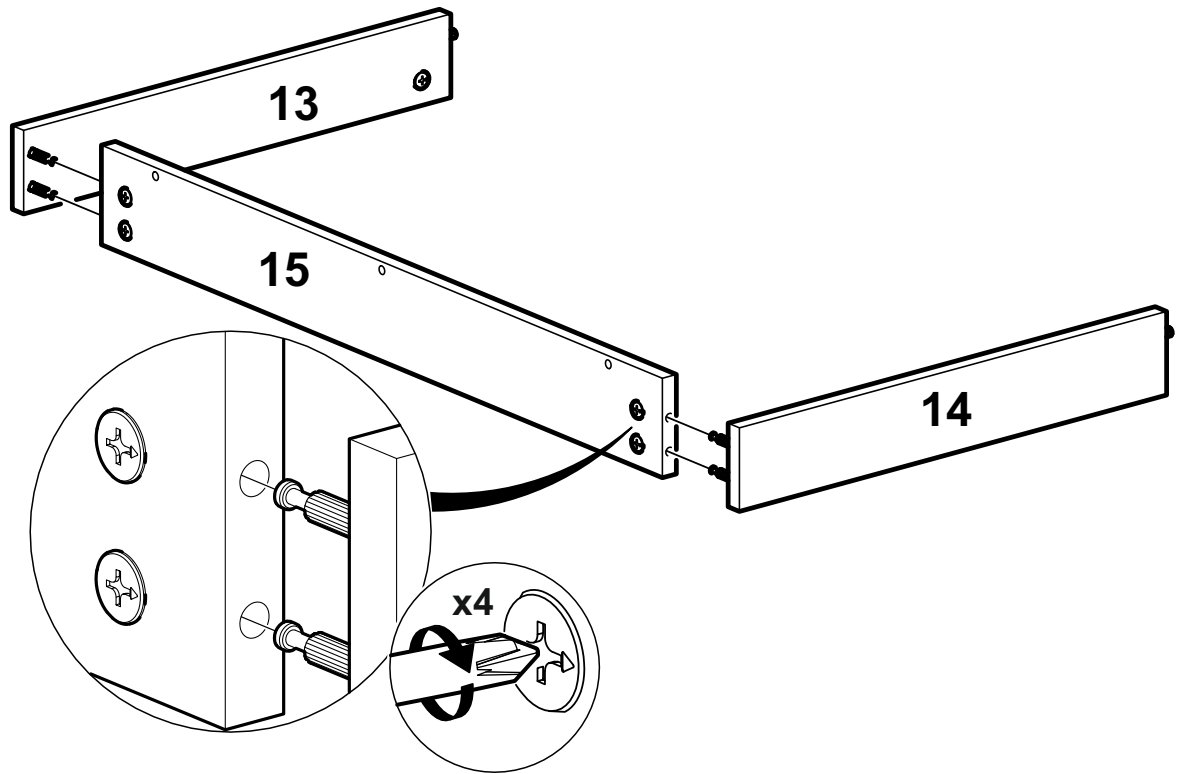


# 15

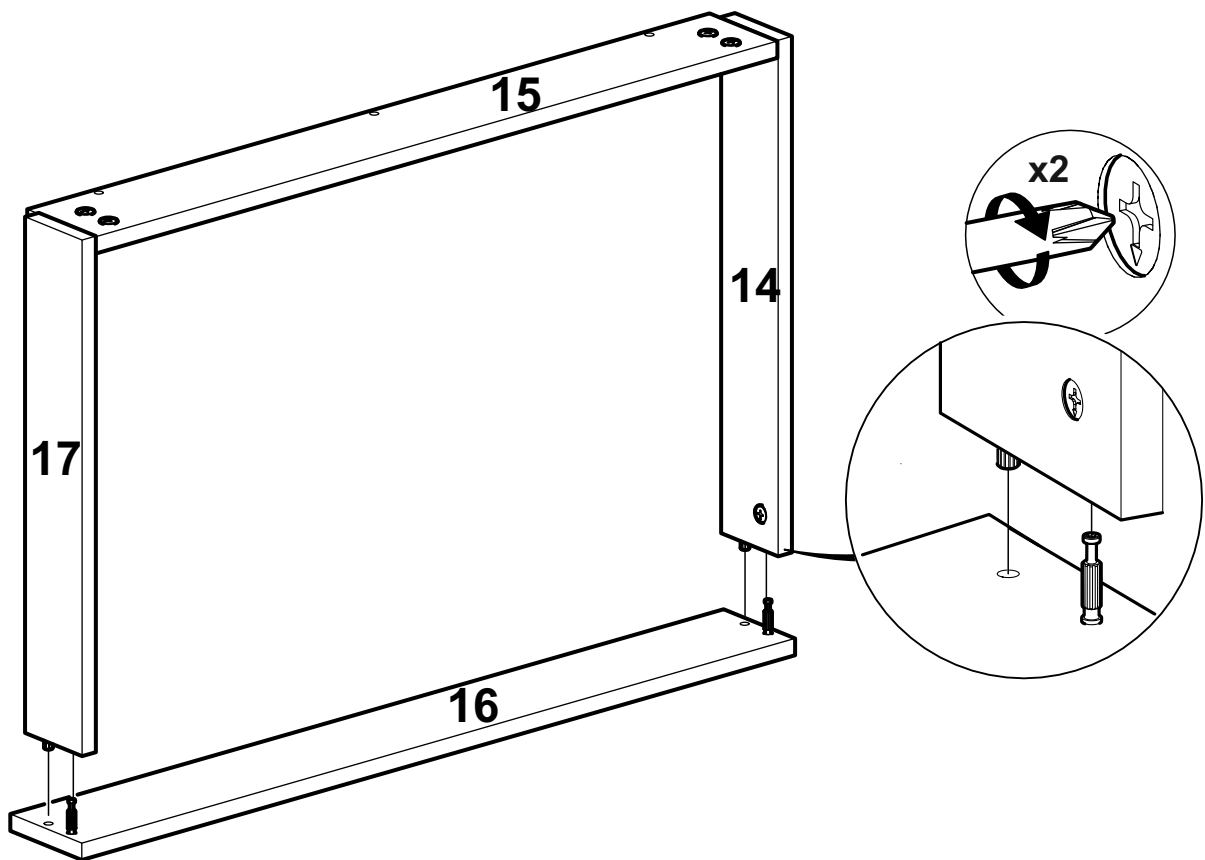
1006091		x 2	1005367		x 4
---------	--	-----	---------	---	-----



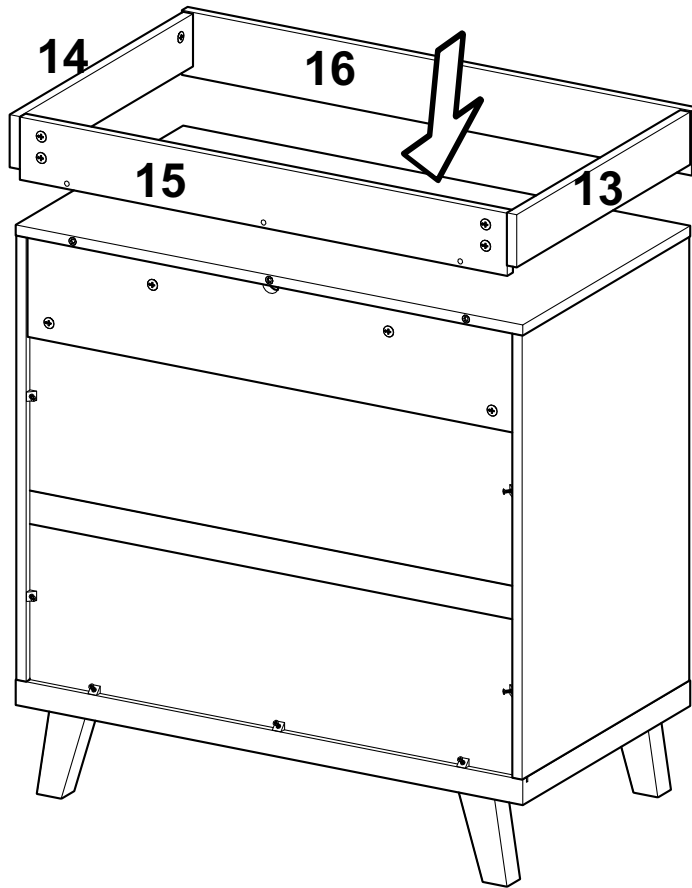
16



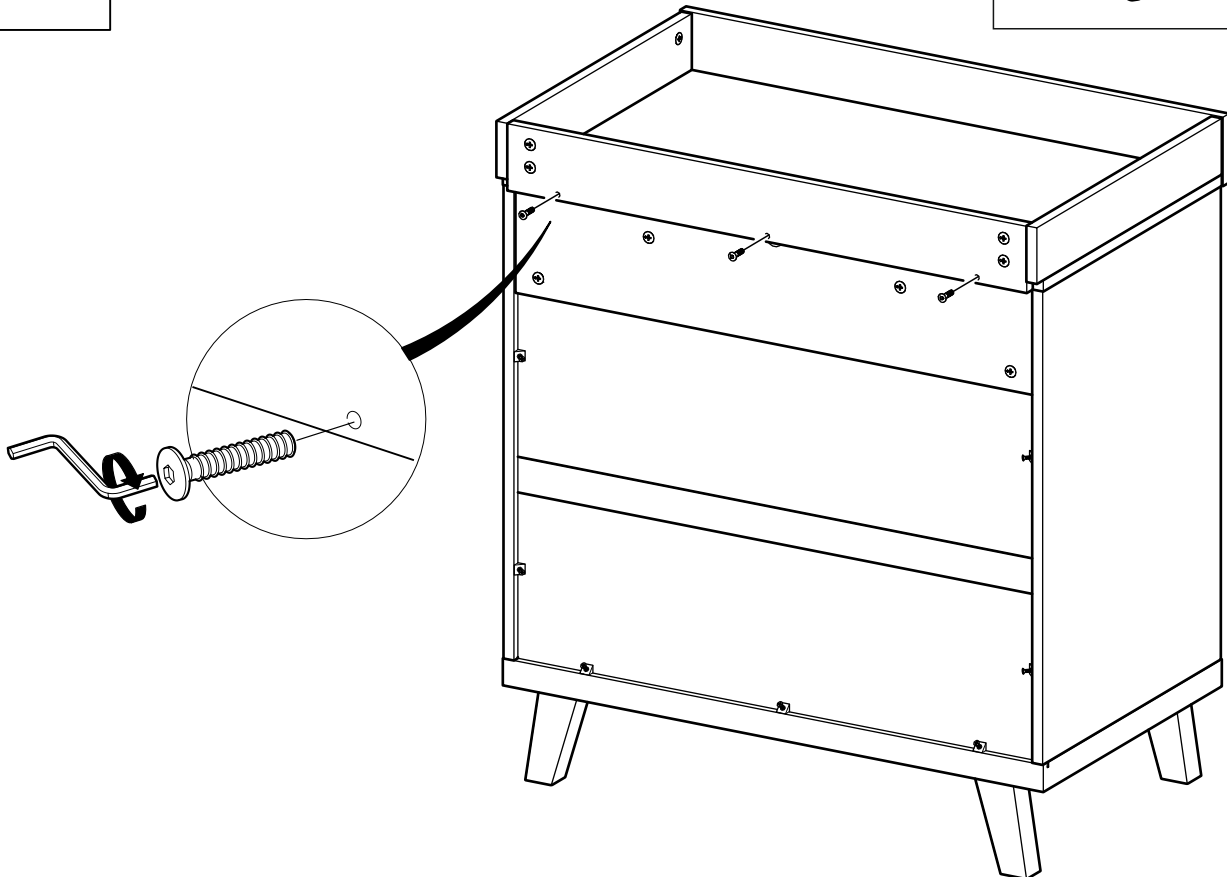
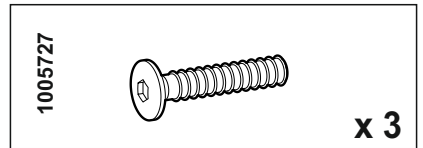
17



18



19



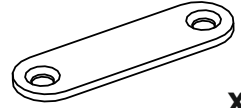
20

1115207

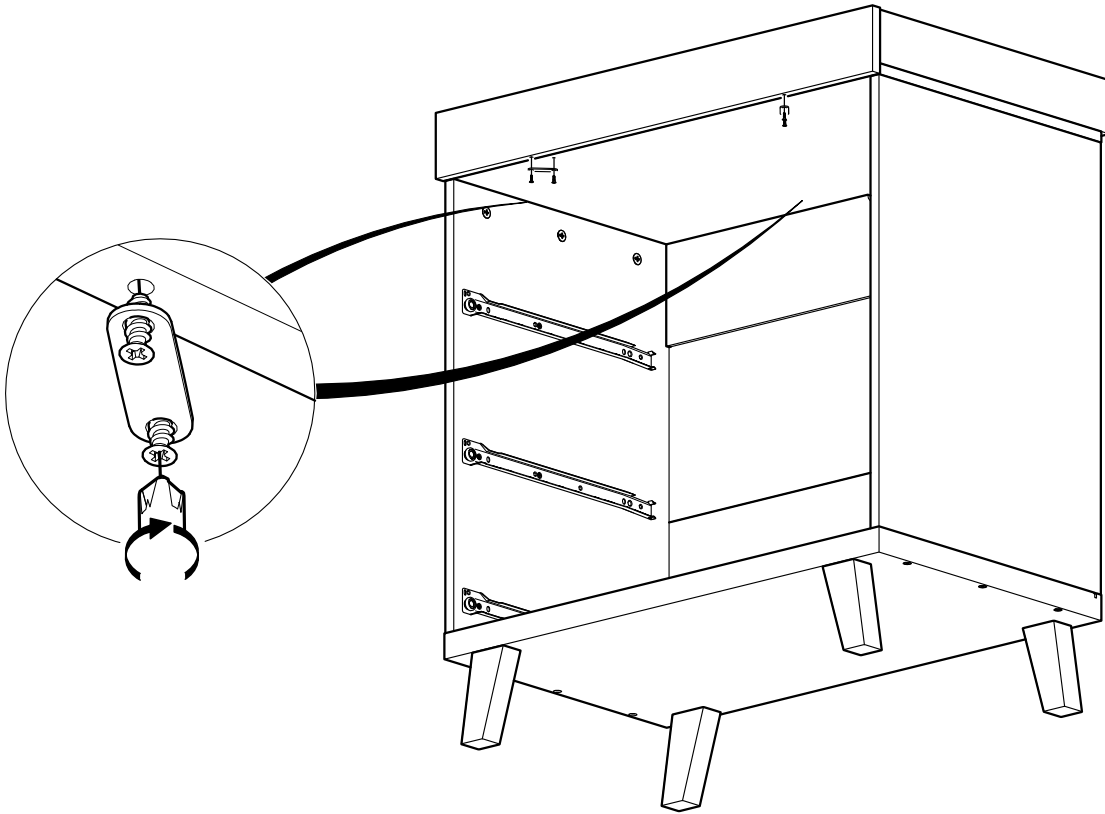


x 4

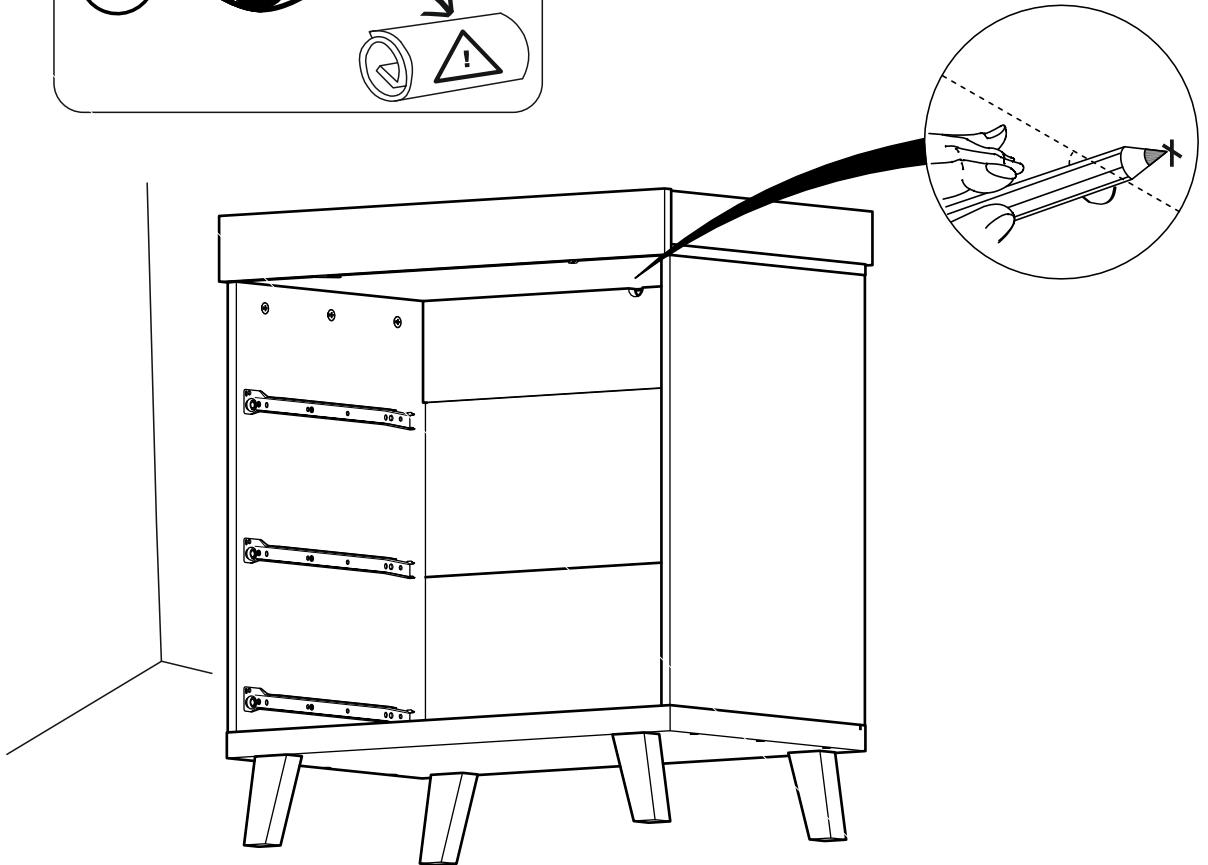
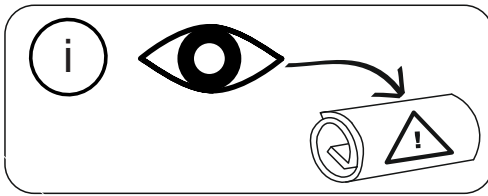
1001786



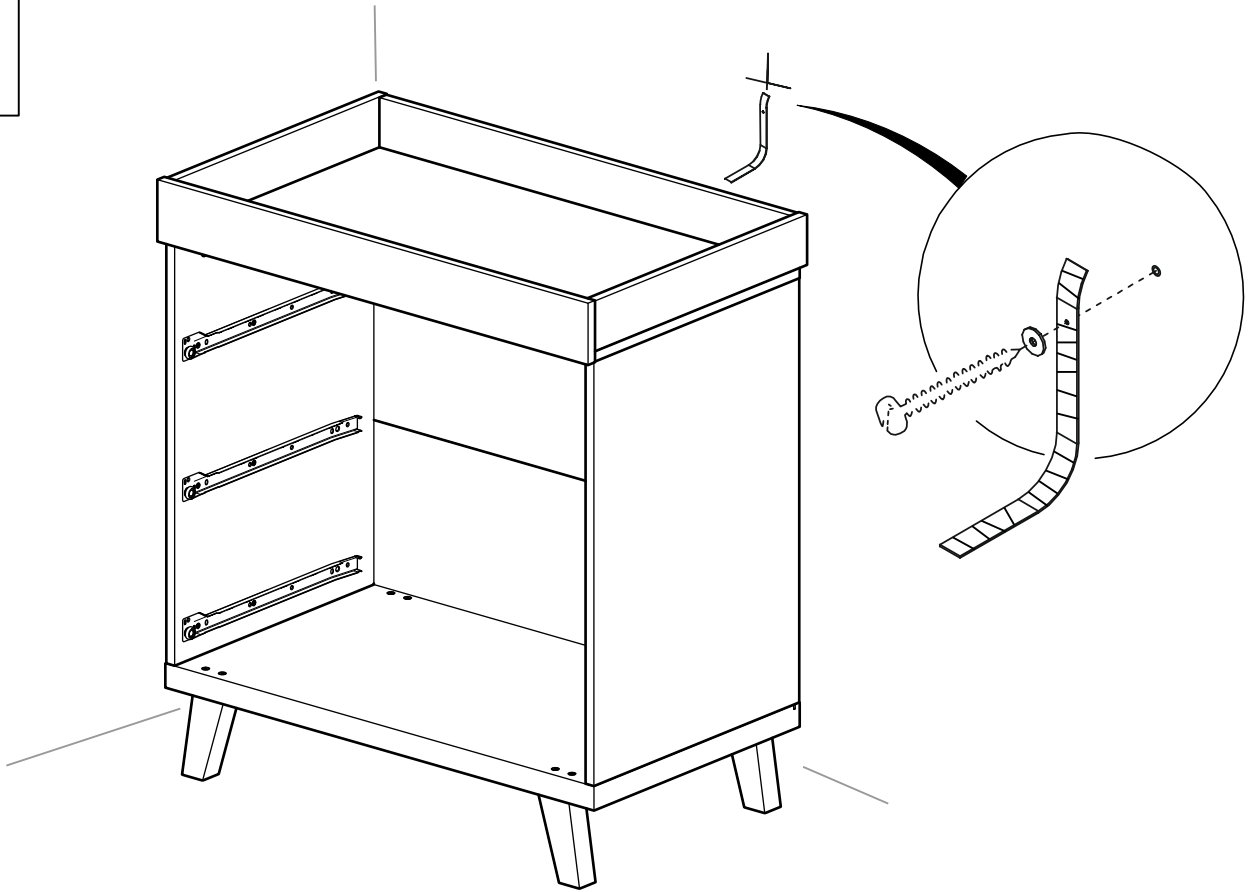
x 2



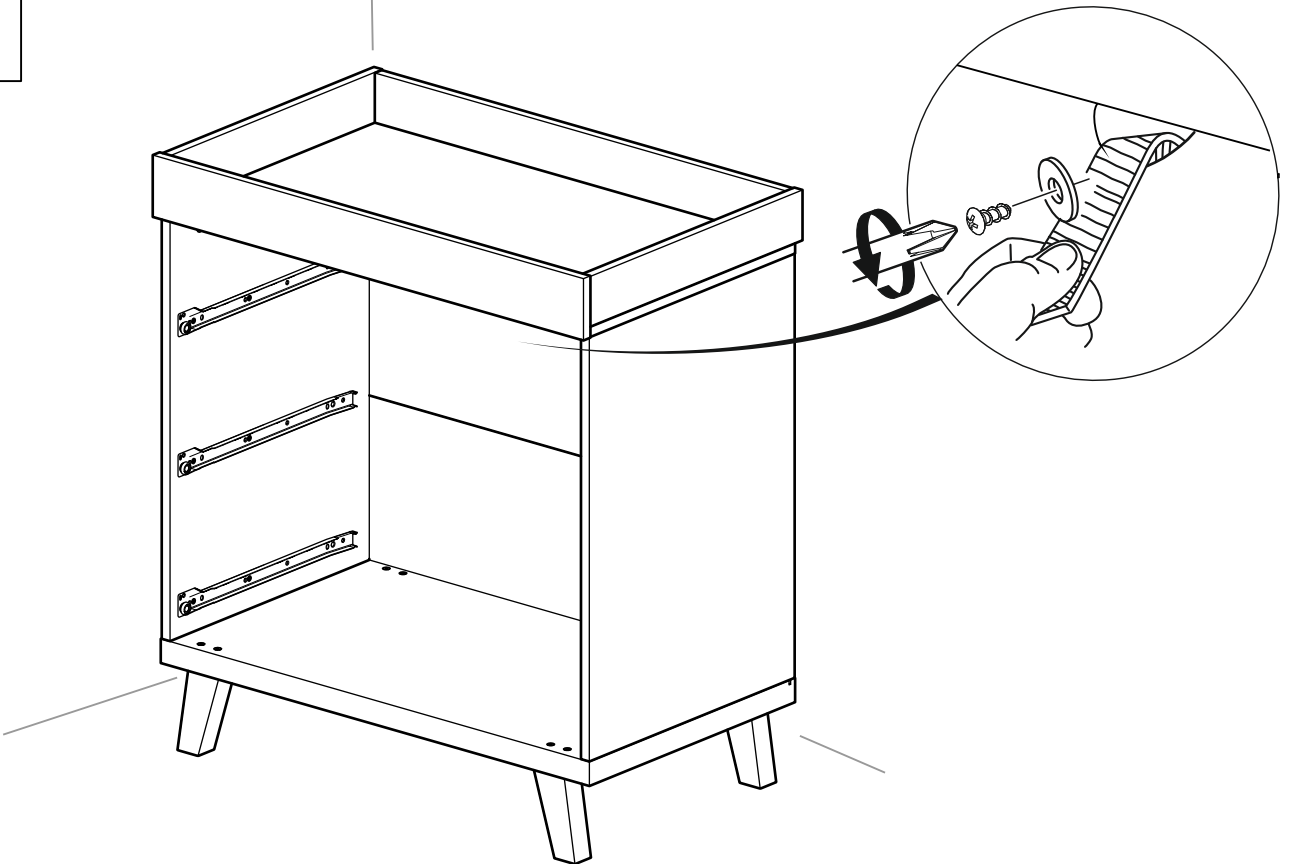
21



22



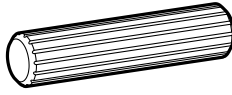
23





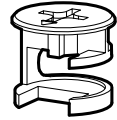
24

1005857

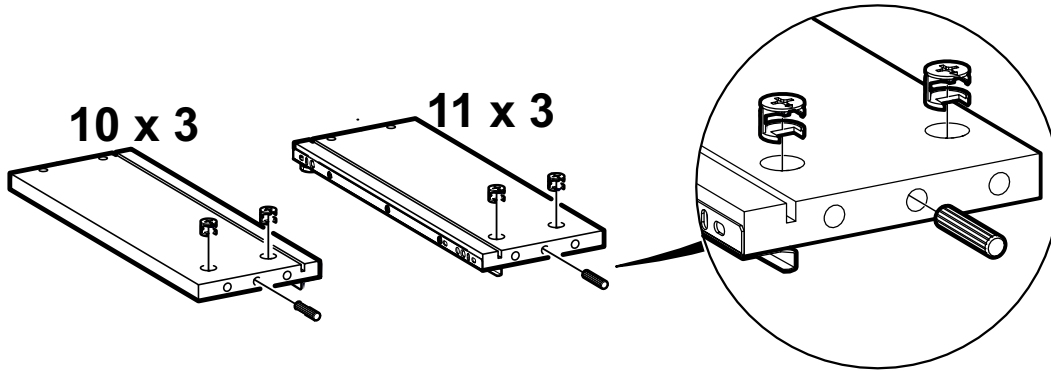


x 6

1005367

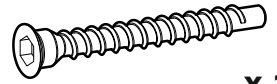


x 12

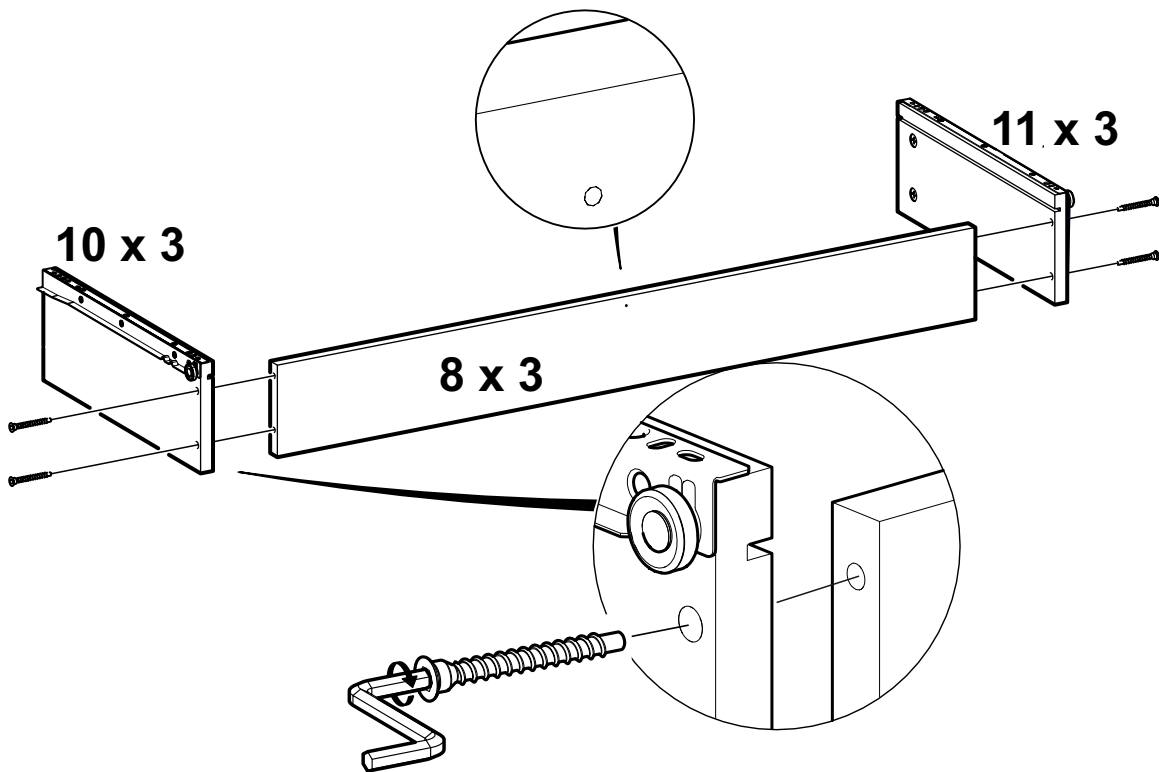


25

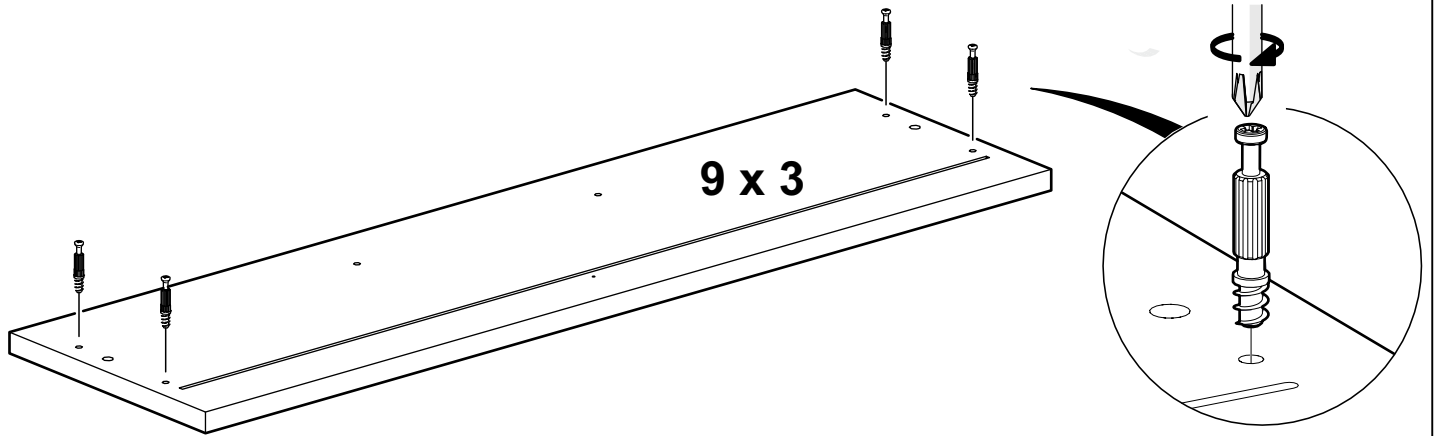
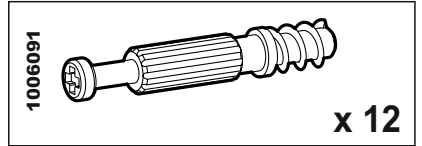
1005876



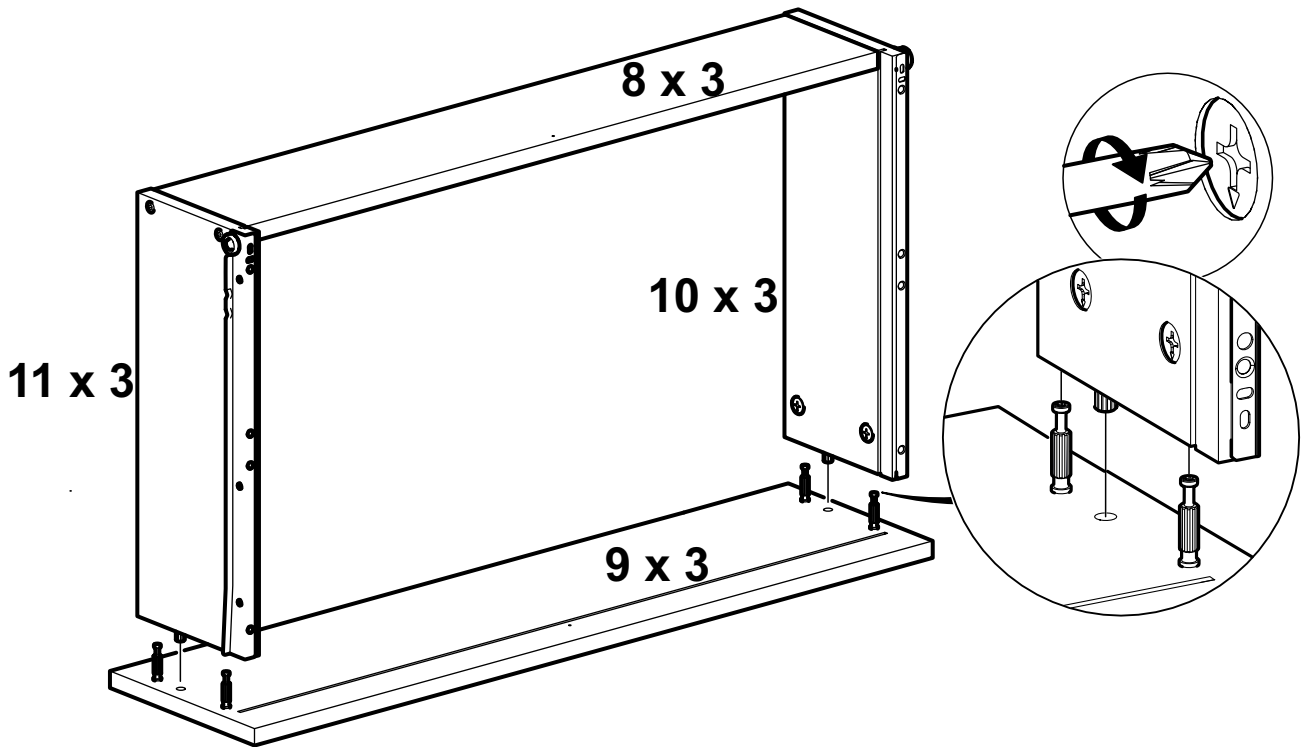
x 12



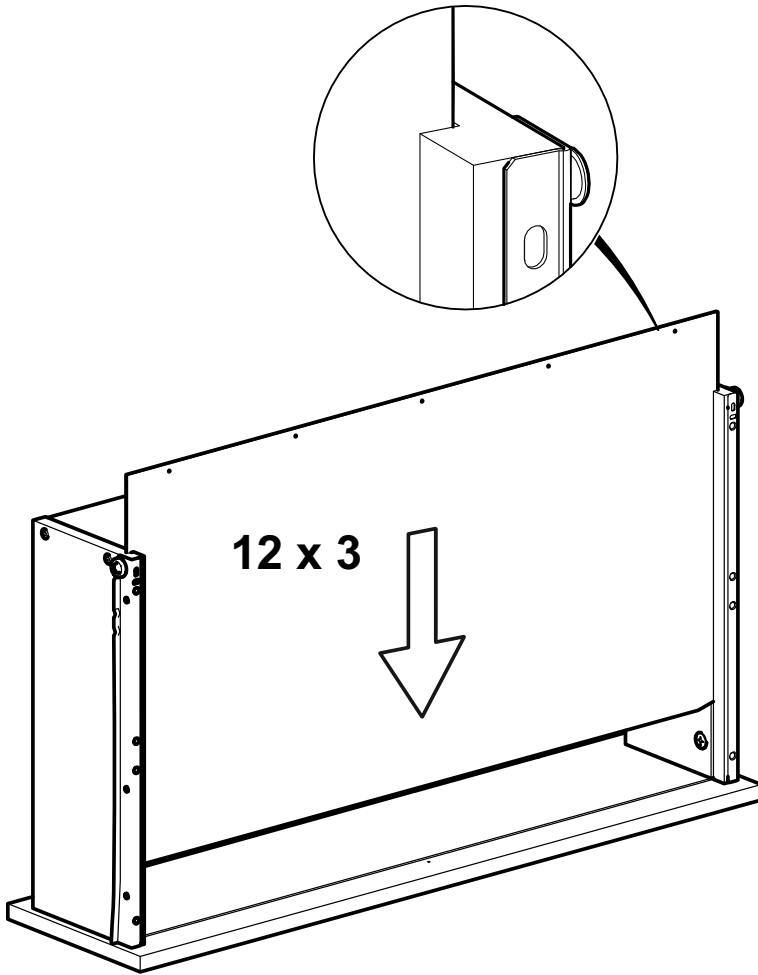
26



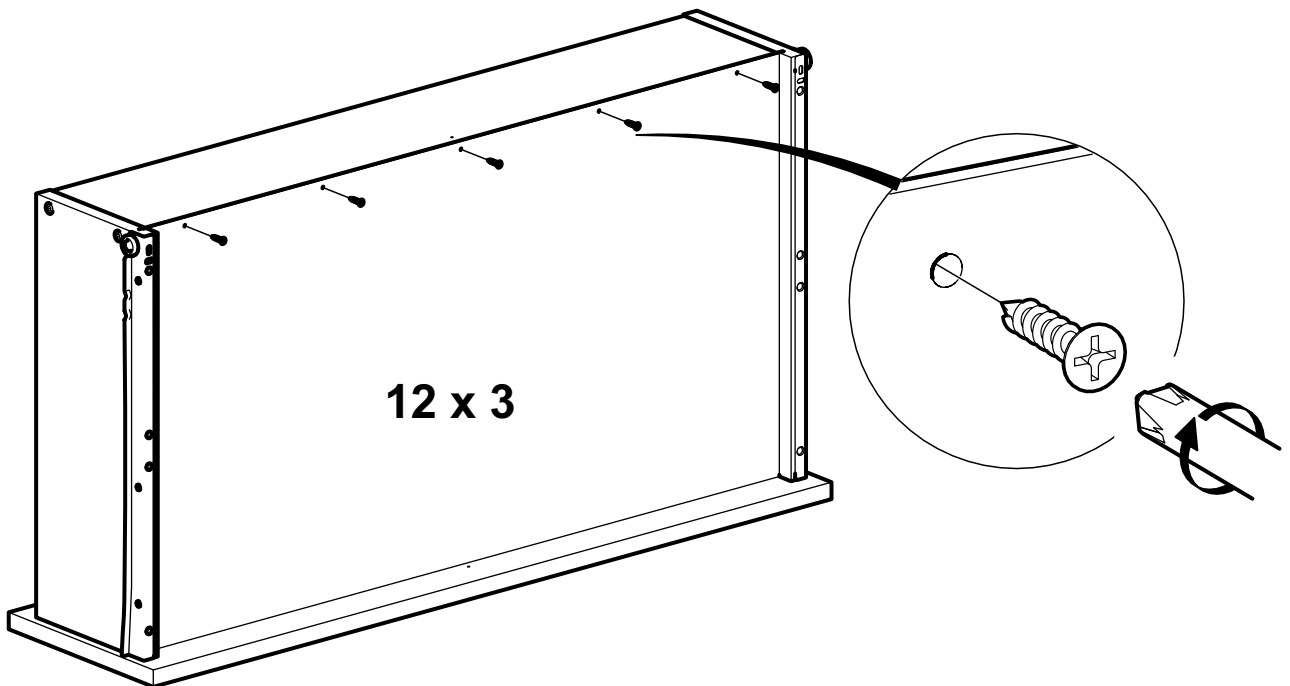
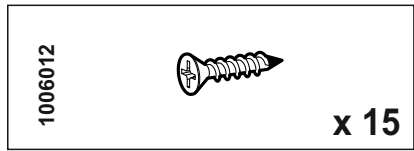
27



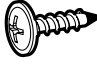

28

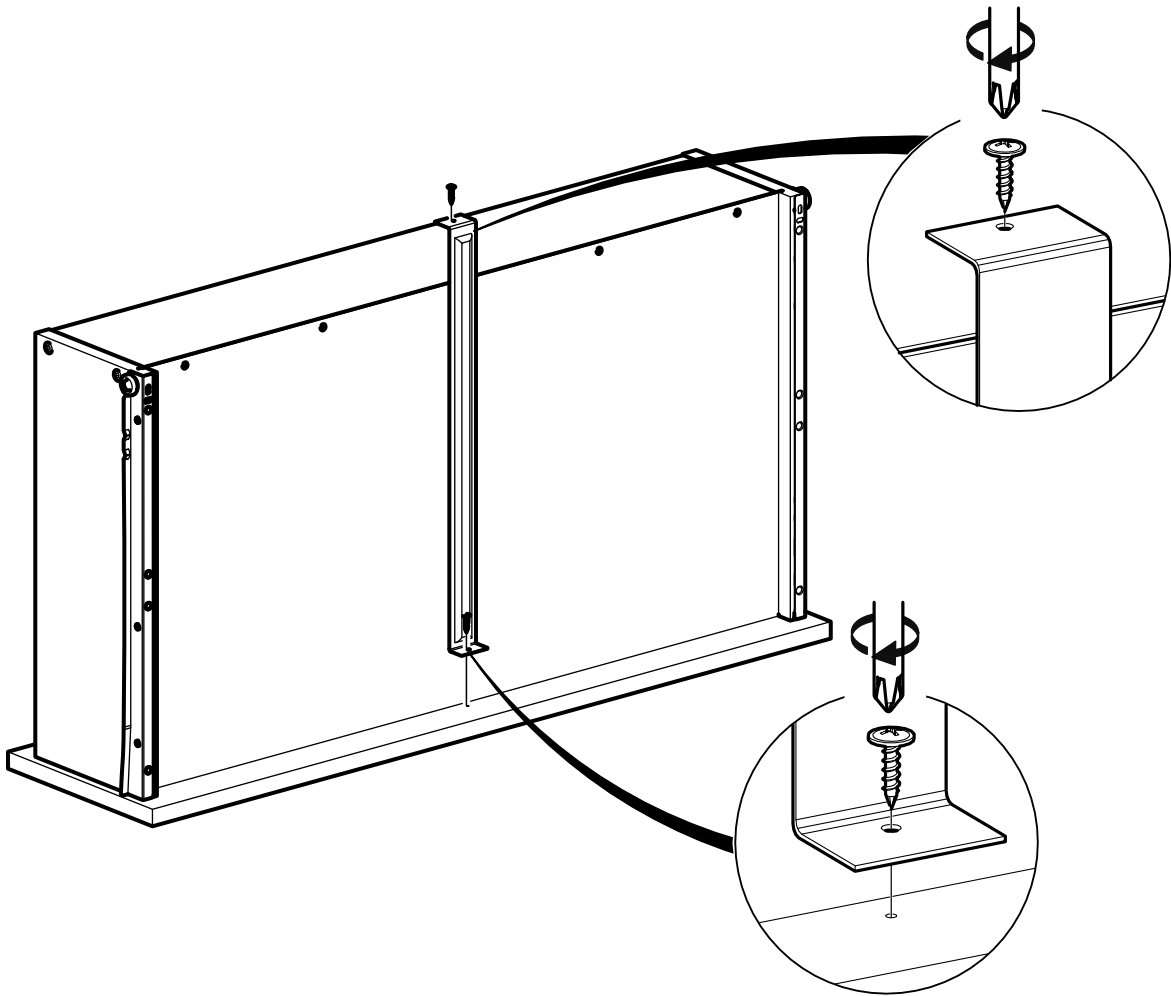


29

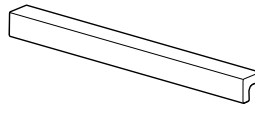
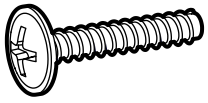


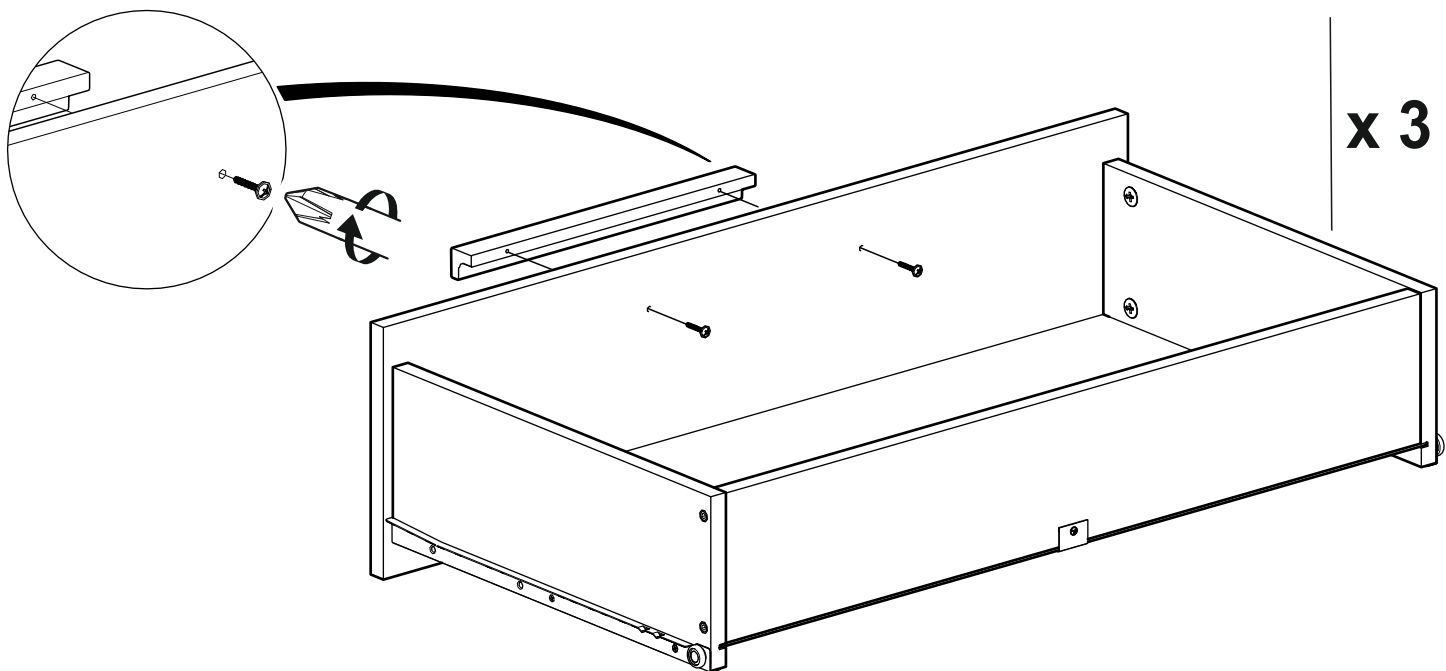
30

1005926		x 6	1002152		x 3
---------	---	-----	---------	---	-----



31

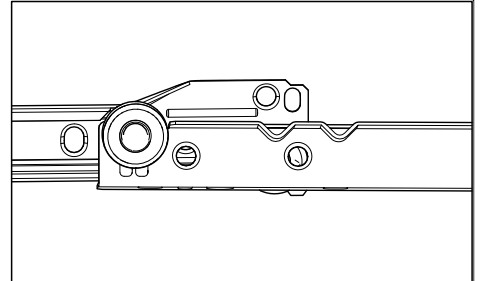
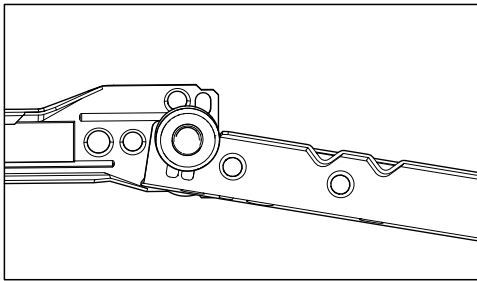
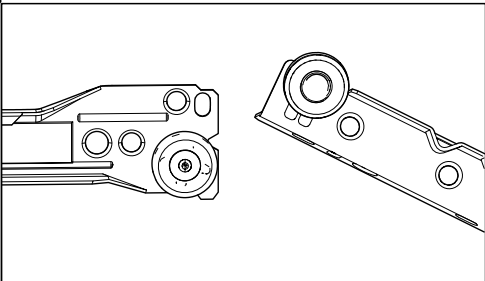
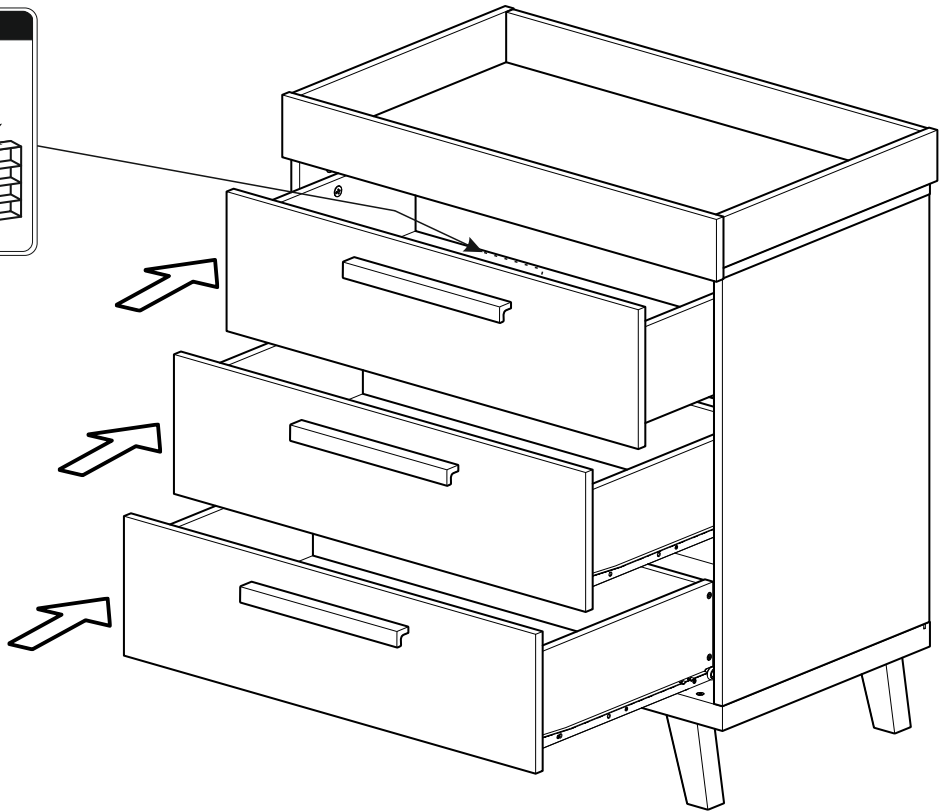
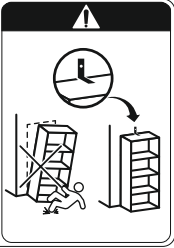
1122724		x 3	1006031		x 6
---------	---	-----	---------	---	-----



**⚠ WARNING**  
 Serious or fatal crushing injuries can occur from furniture tip-over. To help prevent tip-over:

- Install tipover restraint provided.
- Place heaviest items in the lower drawers.
- Unless specifically designed to accommodate, do not set TVs or other heavy objects on top of this product.
- Never allow children to climb or hang on drawers, doors or shelves.
- Never open more than one drawer at a time. (OR)
- Do not defeat or remove the drawer interlock system.

**Use of tip-over restraints may only reduce, but not eliminate, the risk of tip-over.**  
This is a permanent label. Do not attempt to remove.



## Safety

---

**Warning:** Do not leave your child unattended.

Always use the wall attachment strap provided.

All assembly fixings should always be tightened properly. Care should be taken that no screws are loose because a child could trap parts of their body, or clothing (e.g. strings, necklaces, ribbons, dummies, etc.) which could pose a risk of strangulation.

Be aware of the risks of open fires and other such sources of strong heat, such as electric bar fires, gas fires, etc. in the near vicinity of the dresser.

Suitable for use with a changing mat of max size 43.5 x 75.8 cm

The changing area is suitable for use up to 15 kg in weight.

Do not use the dresser if any of the parts are broken, torn or missing.

Any additional or replacement parts can only be obtained from the manufacturer or the distributor.

ensure there are no small parts fittings are left after assembly as these can be a choking hazard.

This product conforms to: **BSEN 12221:2008 +A1:2013.**

---

## Maintenance

Take care when handling or moving the furniture. Careless handling may cause damage.

Regularly check that all fixings are tightened and that there are no broken or damaged parts.

## Cleaning

---

Your dresser can be cleaned by wiping with a damp cloth and drying with a soft clean cloth. Do not use abrasives, bleach, alcohol or ammonia based household polishes.

---

Little Acorns

01952460696 and address:

The Malthouse,

Sheriffhales, Shifnal.

Shropshire TF11 8RD