

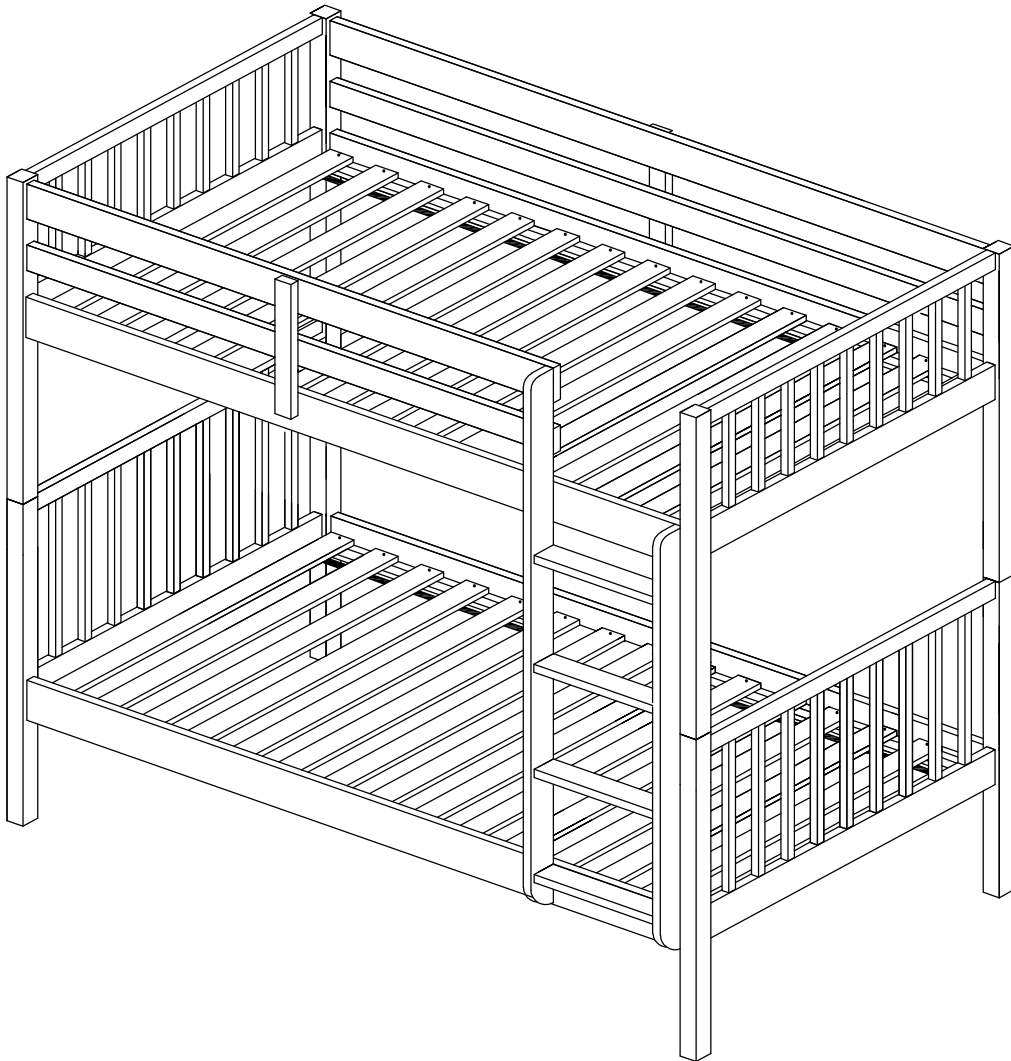
JOHN
LEWIS
& PARTNERS

Wilton Bunk Bed

Stock code natural: 803 66902

Stock code white: 803 05402

Stock code grey: 803 66601



H153 W105.4 D198cm

Thank you for purchasing the Wilton bunk bed. Please read the instructions and warnings carefully before use, to ensure safe and satisfactory operation of this product.

At John Lewis, we are committed to making great products possible.

From our in-house Design Team, to our Buyers, we work together to bring great design to life.

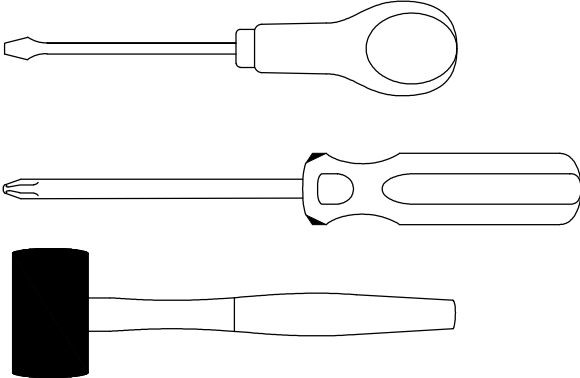
Our expert Product Technologists work collaboratively with our buyers and suppliers to ensure the legality, safety and quality of the product we sell.

We are all committed to designing and developing products to the highest industry standards.

We hope you are happy with your product and welcome any feedback or comments you may have.

The John Lewis team.

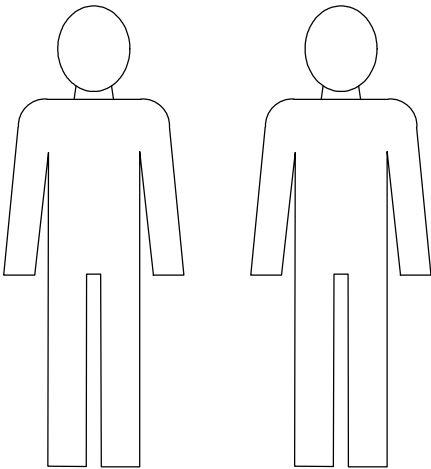
Tools required



Time to assemble

60 Minutes

People assemble



Important safety information

Warnings

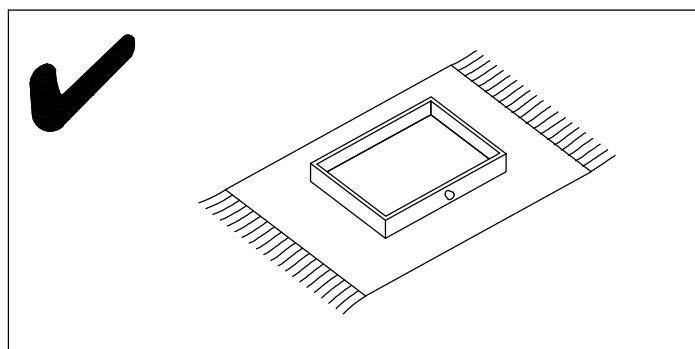
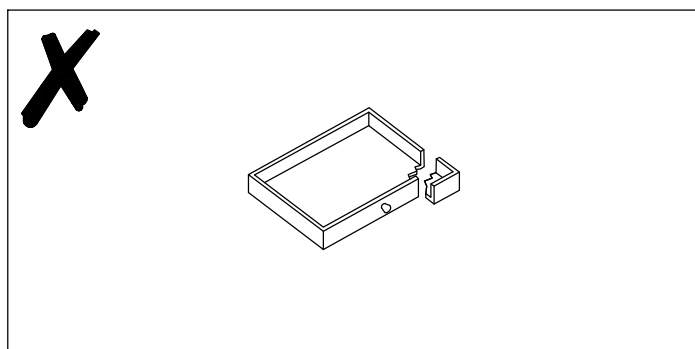
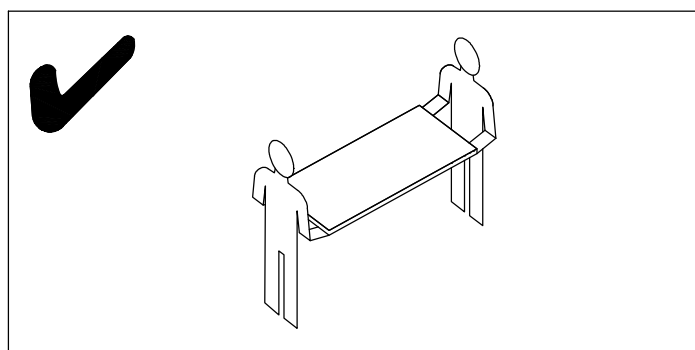
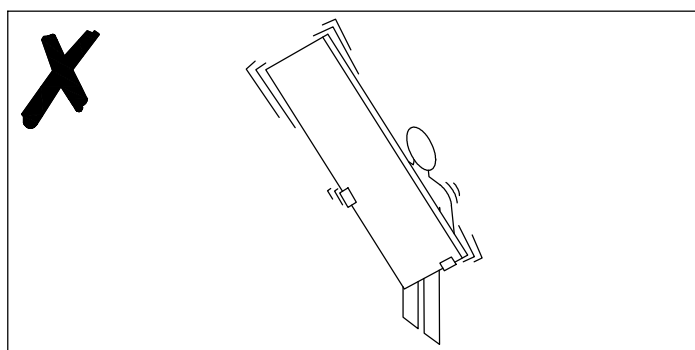
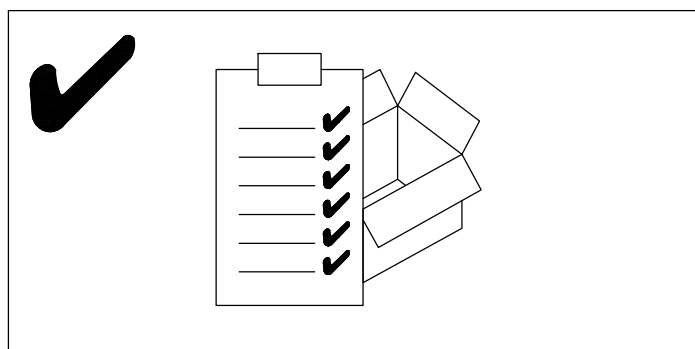
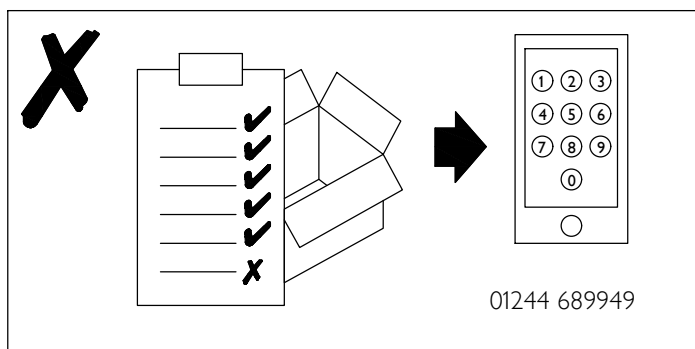
- ⚠ The product should only be used on firm, level ground.
- ⚠ Keep small parts out of reach of children.
- ⚠ Ensure the product is fully assembled as illustrated before use.

Do's

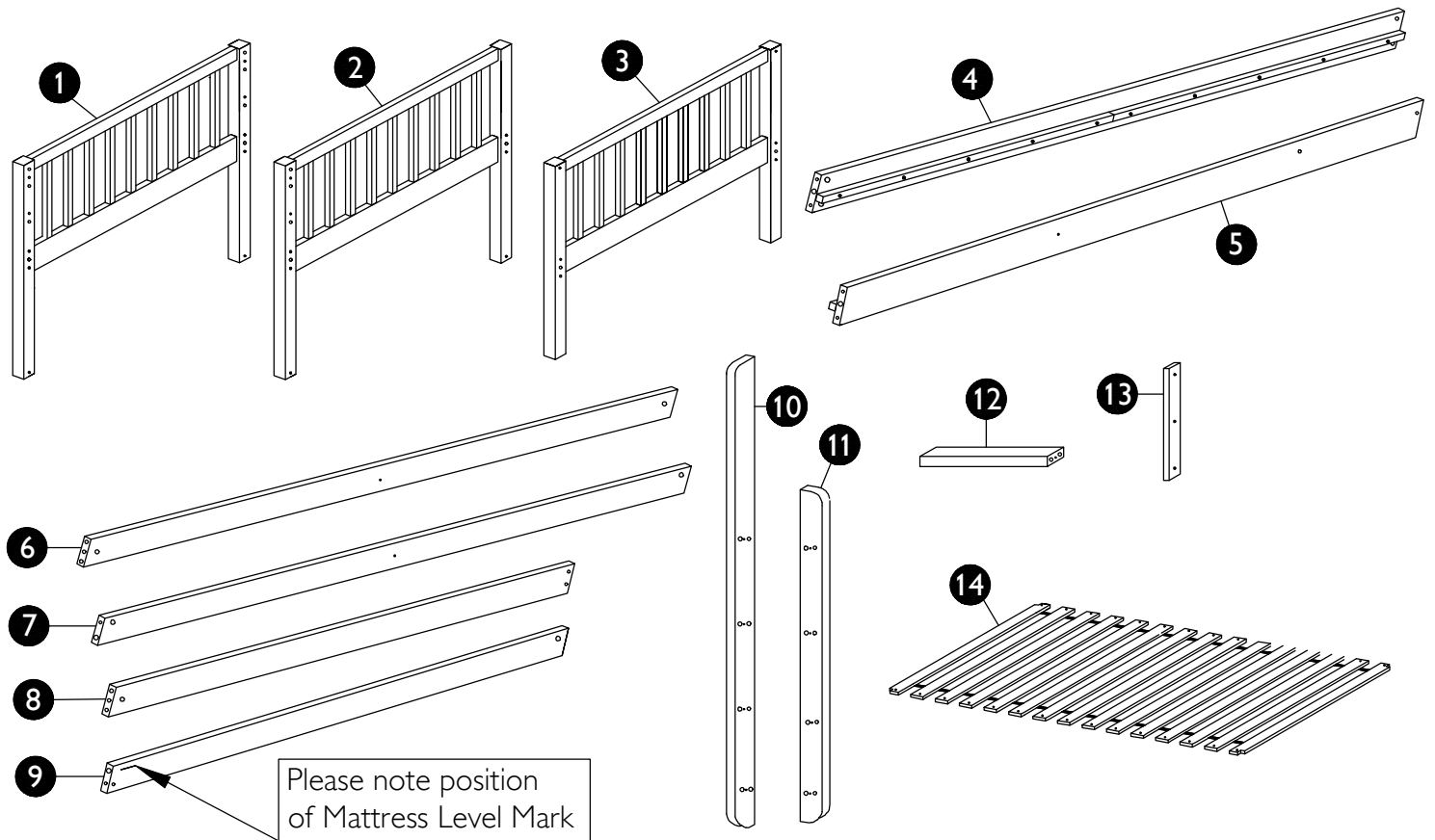
- ✓ Check the pack and make sure you have all the parts listed.
- ✓ Check all screws or bolts are tightened and inspect regularly.
- ✓ Make sure the legs remain in contact with the ground at all times.

Don'ts

- ✗ Do not over tighten screws bolts.
- ✗ Do not stand on the product.
- ✗ Do not use power tools to construct over tightening and panel failure may occur.

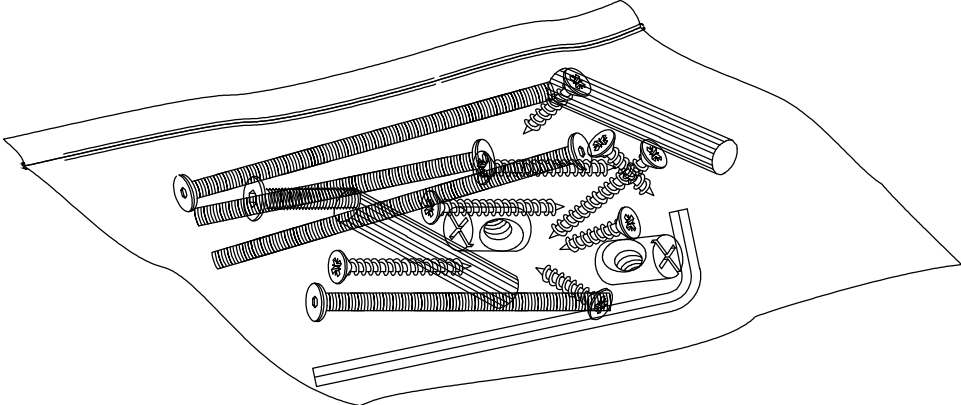


Your Bed



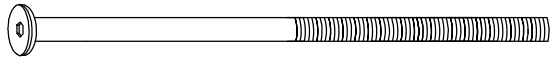






Ref	Description	Dimension	Qty
1	Head board upper left		1
2	Head board upper right		1
3	Head board lower		2
4	Back side rails		2
5	Front side rails		2
6	Side panel upper long	96x1900mm	1
7	Side panel lower long	70x1900mm	1
8	Side panel upper short	96x1525mm	1
9	Side panel lower short	70x1525mm	1
10	Side ladder left		1
11	Side ladder right		1
12	Step ladder		4
13	Vertical support rails		2
14	Slats set		2

Fixtures and fittings

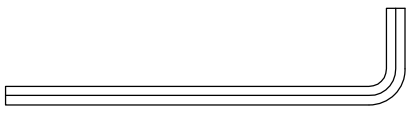


Fixtures and fittings supplied (actual size)

mm

Ref	Description	Dimension	Qty	
A	Bolt	M6x80mm	22	
B	Barrel nut	M6x13mm	22	
C	Dowel	Ø10x40mm	33	
D	Dowel	Ø10x50mm	4	
E	Wood screw	Ø7x50mm	16	
F	Screw	Ø4x40mm	6	
G	Screw	Ø4x30mm	68	

Fixtures and fittings supplied (not actual size)

Ref	Description	Dimension	Qty	
H	Allen key	4mm	1	

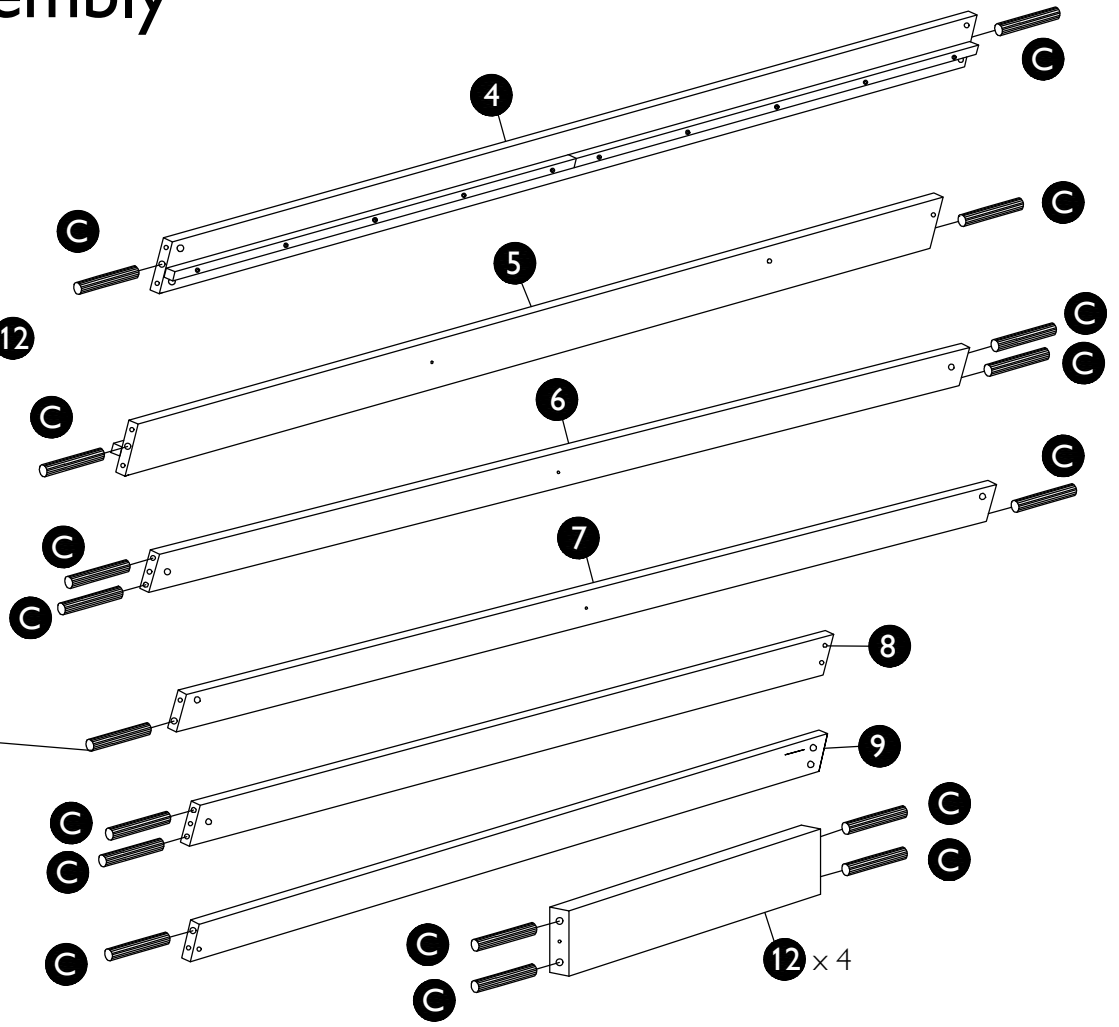
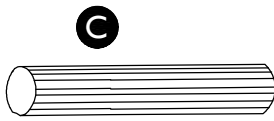
Product assembly

Wilton bunk bed
natural: 803 66902
white: 803 05402
grey: 803 66601

Step 1

Parts, fittings and tools

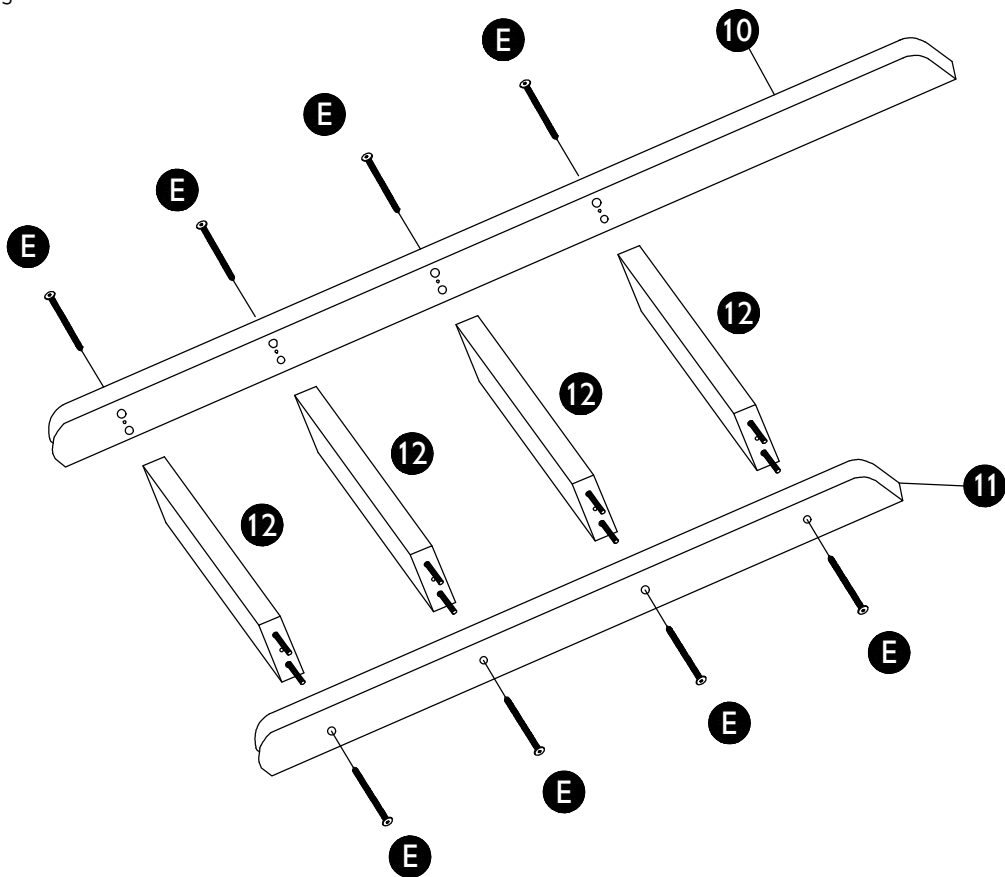
C **4** **5** **6** **7** **8** **9** **12**



Step 2

Parts, fittings and tools

E **10** **11** **12**

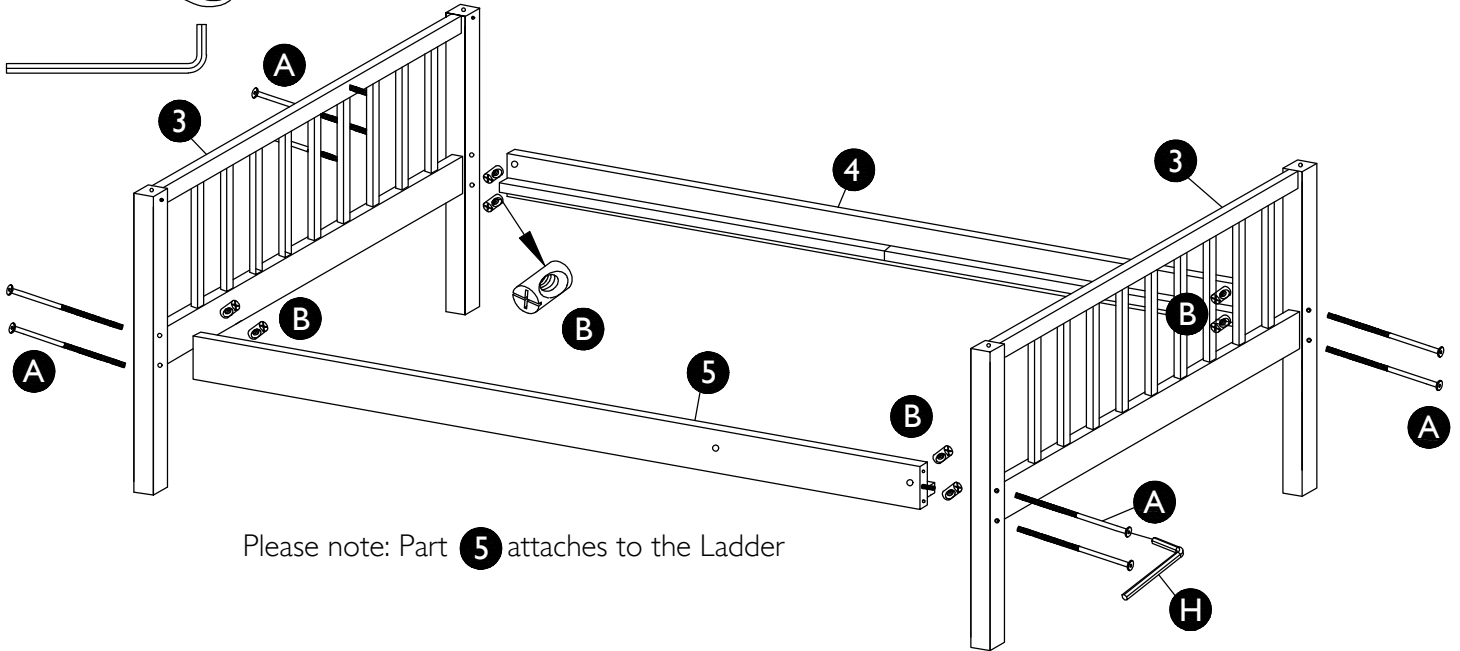
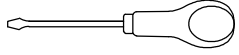


Wilton bunk bed
natural: 803 66902
white: 803 05402
grey: 803 66601

Step 3

Parts, fittings and tools

A B H 3 4 5



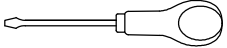
Please note: Part **5** attaches to the Ladder

Step 4

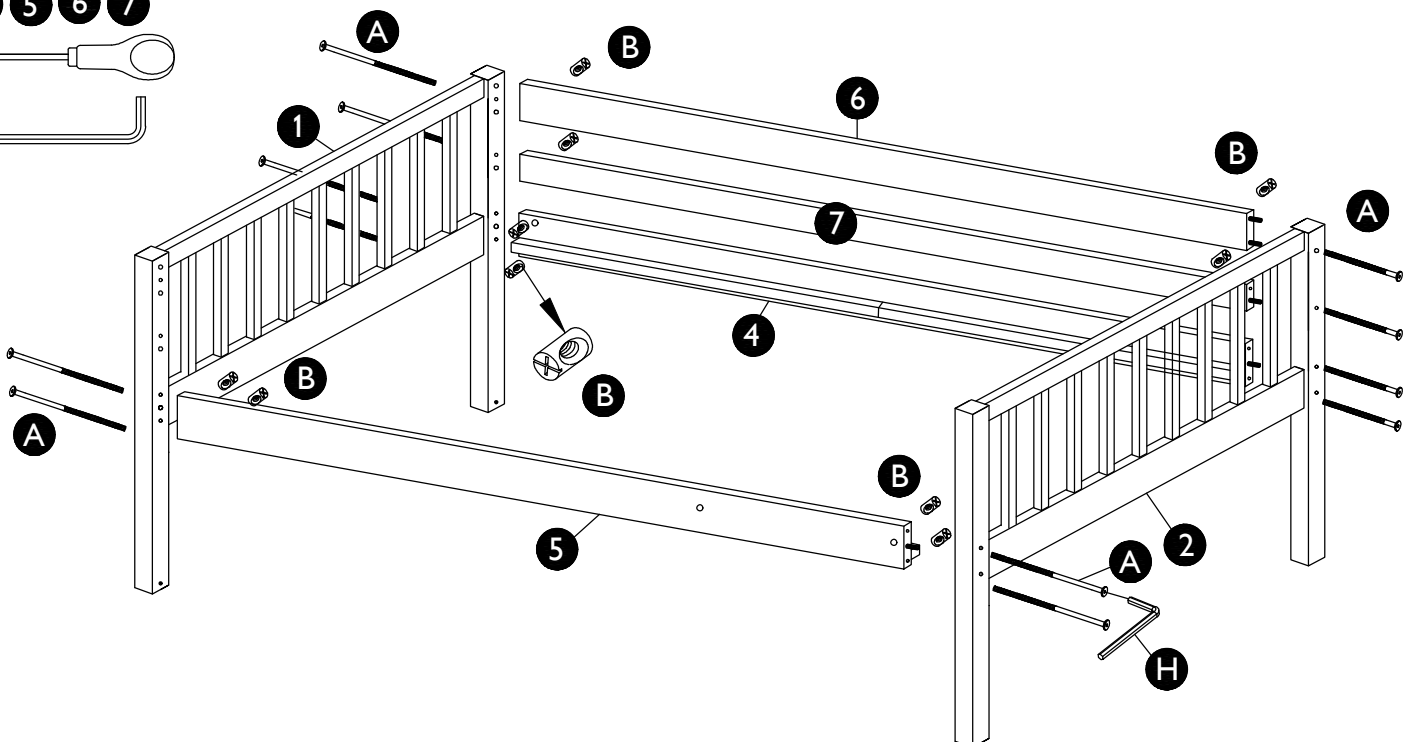
Parts, fittings and tools

A B H 1 2

4 5 6 7



Please turn Part **6** & **7** so the holes face the wall

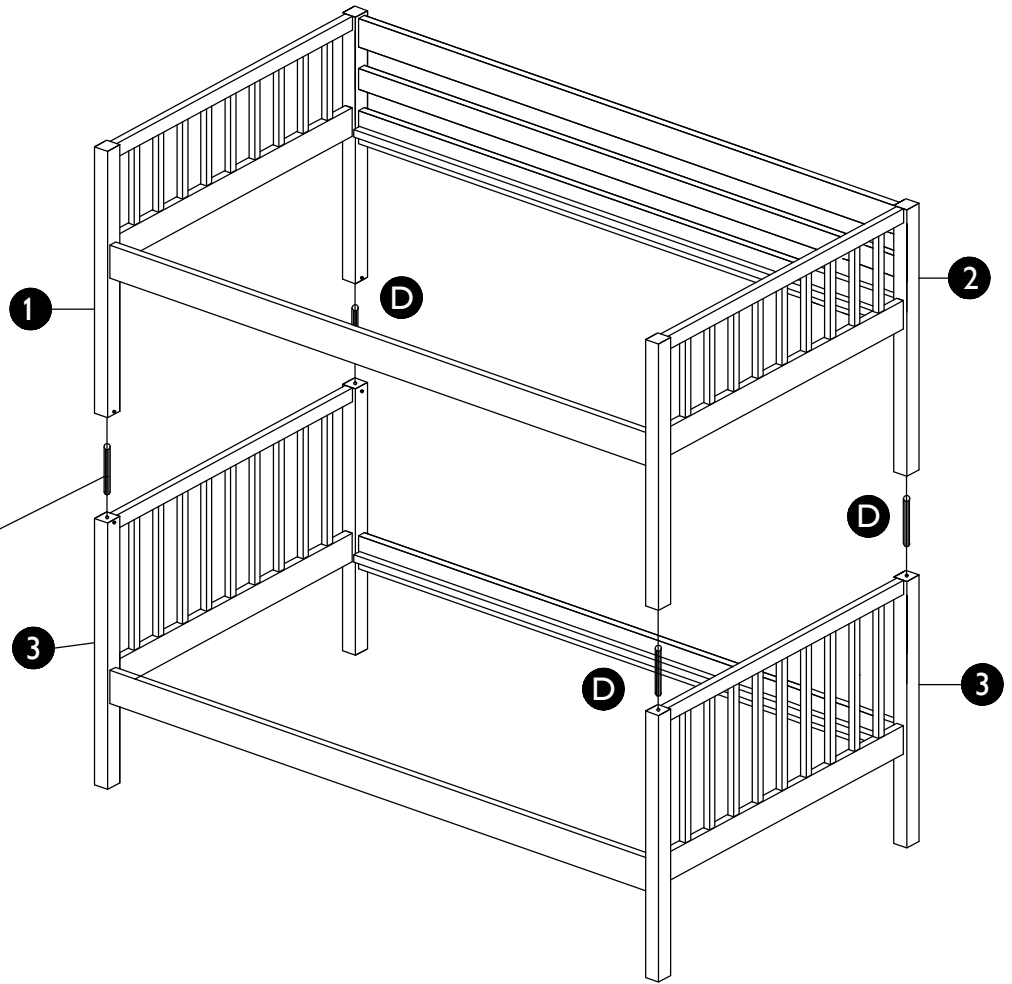
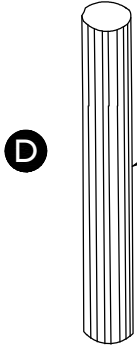
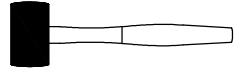


Wilton bunk bed
natural: 803 66902
white: 803 05402
grey: 803 66601

Step 5

Parts, fittings and tools

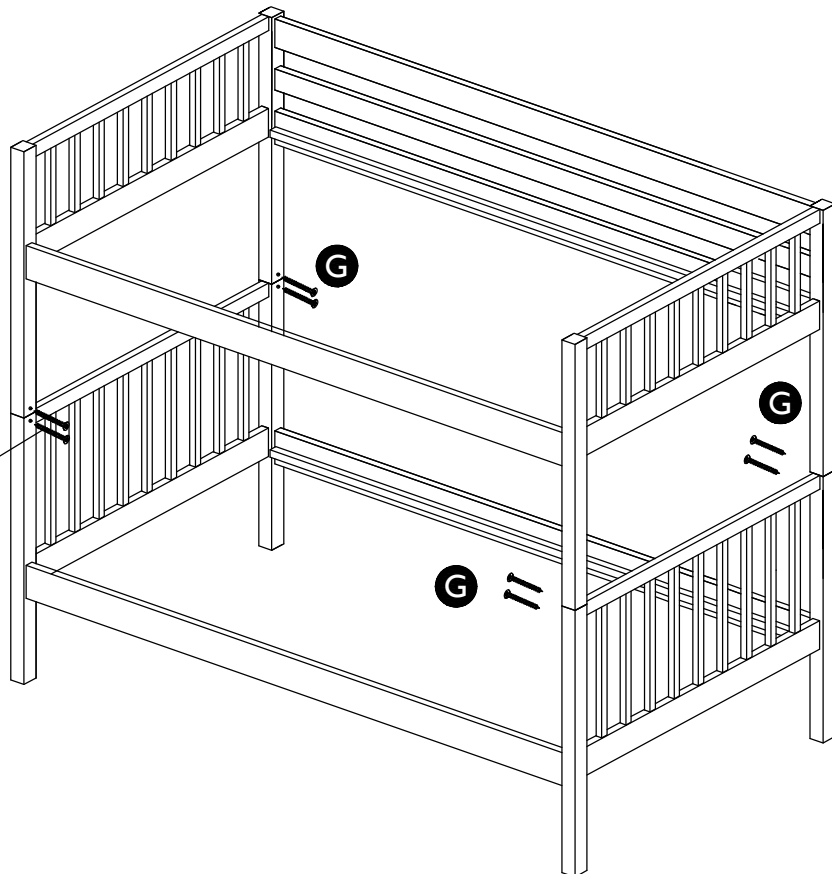
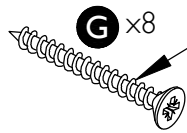
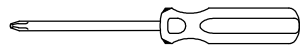
D **1** **2** **3**



Step 6

Parts, fittings and tools

G **1** **2** **3**

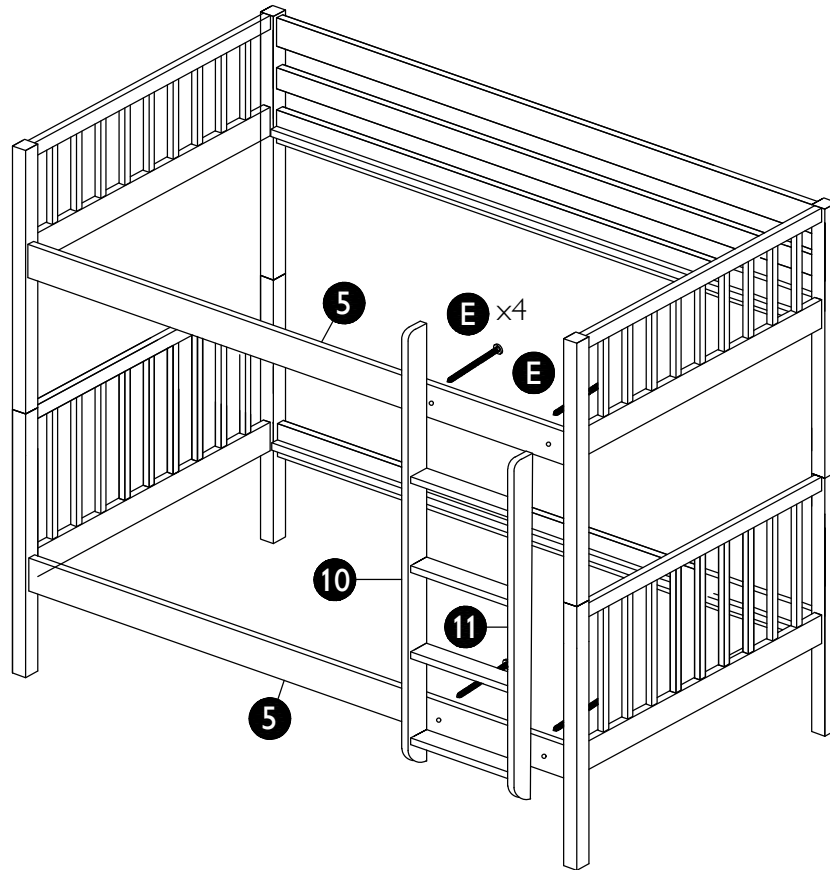


Wilton bunk bed
natural: 803 66902
white: 803 05402
grey: 803 66601

Step 7

Parts, fittings and tools

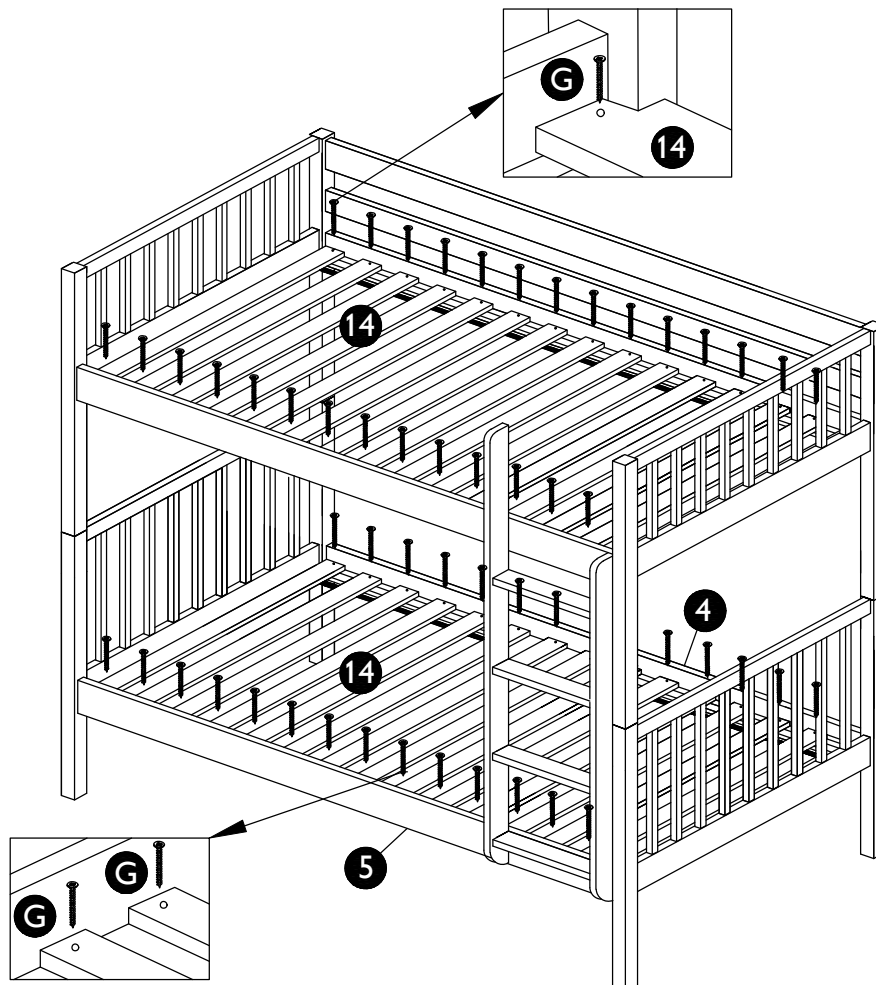
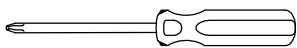
E H 5



Step 8

Parts, fittings and tool

G 4 5 14

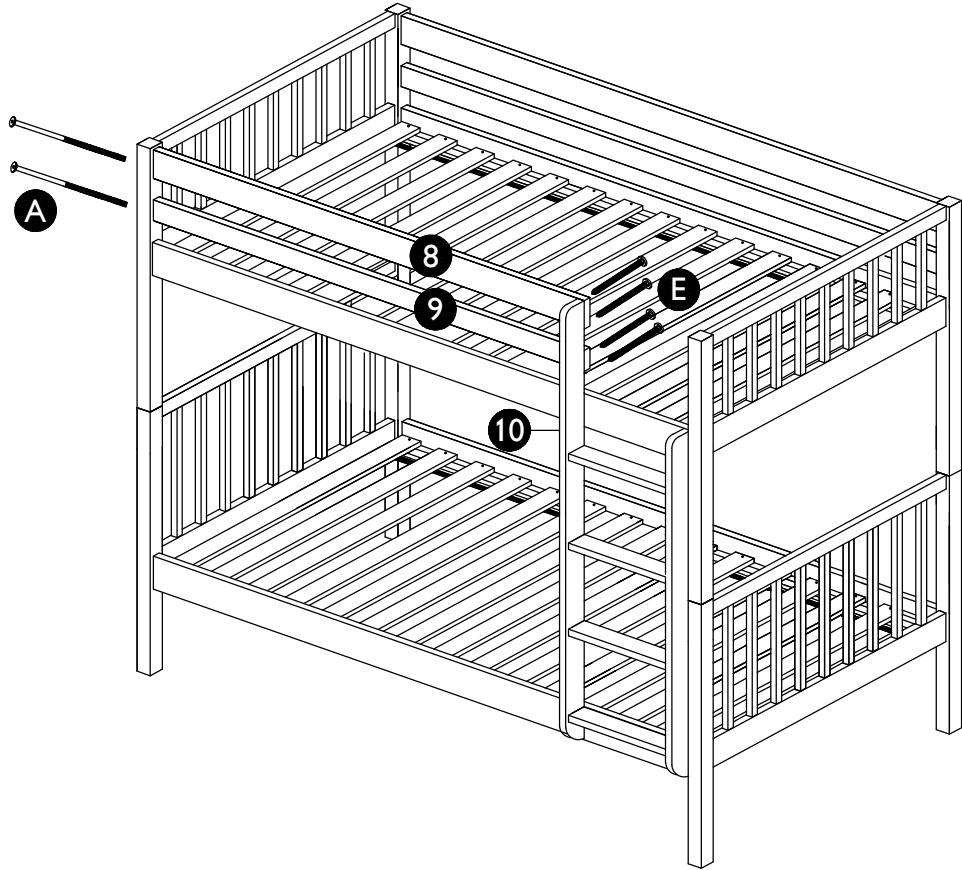


Wilton bunk bed
natural: 803 66902
white: 803 05402
grey: 803 66601

Step 9

Parts, fittings and tools

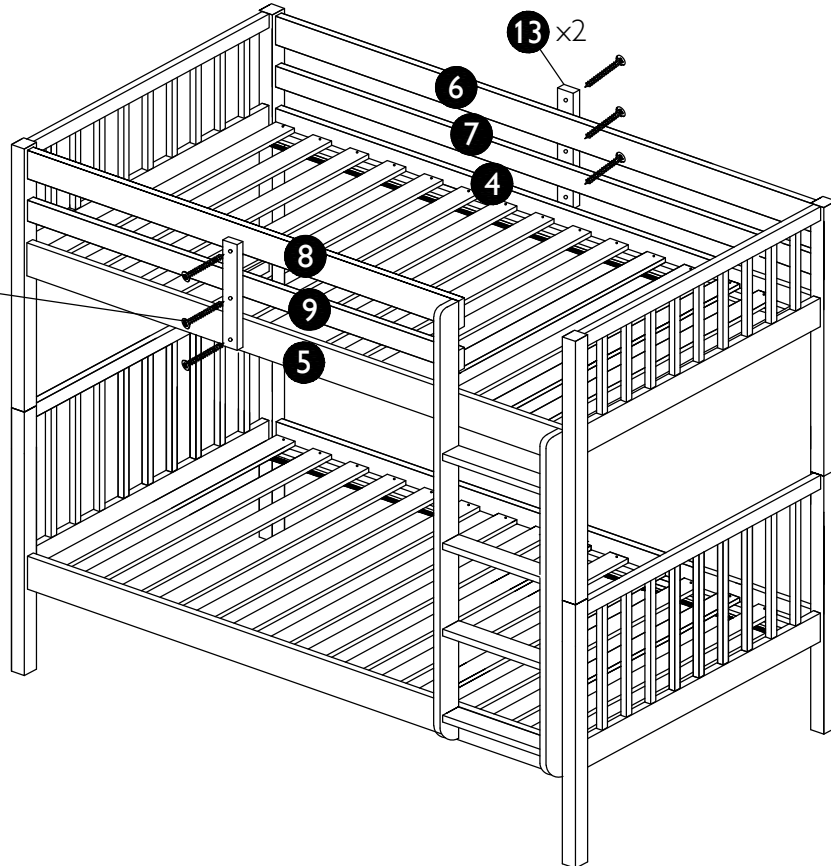
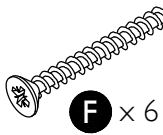
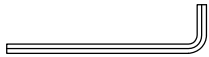
- A E H
- 8 9 10



Step 10

Parts, fittings and tools

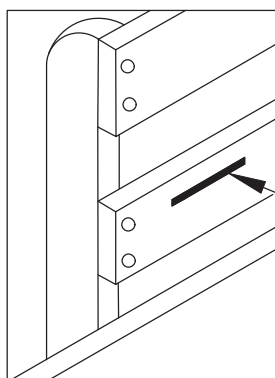
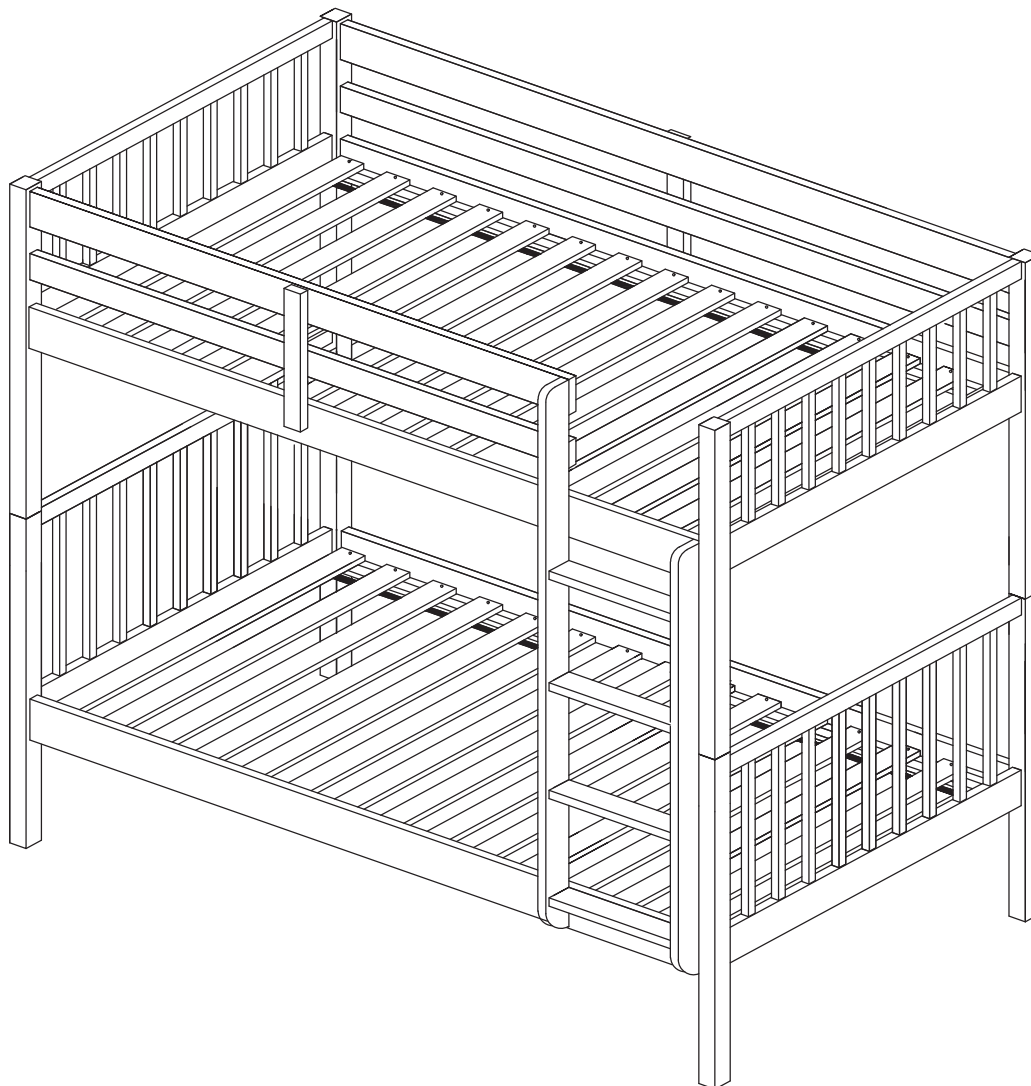
- F 4 5 6 7 8 9



Wilton bunk bed
natural: 803 66902
white: 803 05402
grey: 803 66601

Step 11

Ready to use.



PLEASE NOTE

The top of the mattress **MUST NOT** exceed this making (max height 17cm)

IMPORTANT! PLEASE KEEP THESE INSTRUCTIONS FOR FUTURE REFERENCE

Care guide

Care and maintenance

Wood furniture

Wood displays different grain patterns depending on which way they are cut - for example, the 'medullary ray' which can appear on oak furniture is a mark of good quality timber - these are just characteristics of the natural beauty of the wood. Some furniture is also deliberately aged and rustic.

Wood veneers also allow a distinctive pattern to be created on some surfaces, such as tabletops and drawer fronts by the way slivers are arranged.

How to care for your wood furniture

Furniture with a hard lacquer, wax polish or painted surface should be dusted with a dry cloth.

Waxed furniture will need to be given a coat of beeswax a couple of times a year to help maintain its lustre..

Spray polishes are best avoided as they contain silicones which may spoil the furniture's surface when building up over time.

Our furniture will endure most temperatures in the home, but it is best to avoid placing furniture next to heat sources such as radiators or fires. Be particularly careful with solid wood as the lack of humidity caused by home heating can cause damage such as warping.

Safety instructions

Never drag furniture when moving it. Always lift it.

Periodically check all fixings to ensure none have come loose and retighten when necessary.

Please take care when handling or moving the furniture as careless handling may cause damage or injury.

Furniture can be dangerous if incorrectly installed. Assembly should be carried out by a competent person. No liability will be accepted for damage or injury caused by incorrectly installed or assembled furniture..

During assembly children should be kept away from the product due to possible risk of injury.

Do not use this item if any components are missing or damaged.

It is recommended that before moving heavy objects to a new location they are completely dis-assembled to avoid personal injury or damage to the furniture. Please be careful to retain all fittings when doing this.

Safety warnings

The bunk bed should not be used if any structure part is broken or missing.

The upper bunk is not suitable for children under 6 years of age due to the risk of injury from falls.

Never attach items such as robes, strings, cords, harnesses or belts to the bunk bed as these can cause strangulation.

Children can become trapped between the bed and the wall, a roof pitch, the ceiling, adjoining pieces of furniture (e.g. cupboards) and the like. To avoid risk of serious injury the distance between the top safety barrier and the adjoining structure shall not exceed 75 mm or shall be more than 230 mm.

The grooved lines on the upper bed indicate the point which the mattress should not exceed. The maximum height of the mattress to be used with the bunk is 17cm. The recommended mattress size for this bunk is L190 x W90 x H17cm (max).

This product complies with BS EN 747-1+2:2012+A1:2015 - Bunk beds for domestic use - safety, strength and durability.

If you require any additional information or have any issues with this product please call the John Lewis helpline on 03456 049 049. If you require spare parts or further technical assistance please call 01244 689949 or email mail@fwgroup-uk.com.

Retain these instructions for future reference.

John Lewis Partnership
171 Victoria Street
London SW1E 5NN
johnlewis.com