

Product information

- Indoor use only
- Non-dimmable
- Replacement bulbs should be the same type and rating, available from John Lewis Partners or other established brands
- Clean the fitting with a soft dry cloth. Do not use abrasive chemical cleaners as this will damage the finish

Aftercare and Troubleshooting

You've switched on the light, but it's not working:

1. Check your power supply is switched on
2. Turn off the light and check that the bulb is inserted correctly
3. Check the bulb is still in working order

If there are technical issues with this product that you can't solve, please contact your nearest John Lewis & Partners shop or call Technical Support on 03301 230106.


Specification

Max power: 10W
Recommended bulb:
1 x 10W E27 GLS LED bulb for maximum brightness.
Lower wattages are also available.
Rated input: 220 –240V, 50Hz
Bulb not included
IP rating: 20
Weight: 2.45kg

5-year guarantee

At John Lewis & Partners we test every light to high quality standards. That means we can offer you a 5-year guarantee.

Recycling

This symbol  indicates that this product should not be treated as normal household waste and it should be recycled. John Lewis & Partners do not operate instore take back, but as members of the Distributor Take Back scheme have funded the development and upgrade of recycling facilities across the UK. Please take it to your nearest collection facility or for further details contact your local council or visit www.recycle-more.co.uk.

John Lewis Plc
171 Victoria Street
London SW1E 5NN
johnlewis.com

Made in China

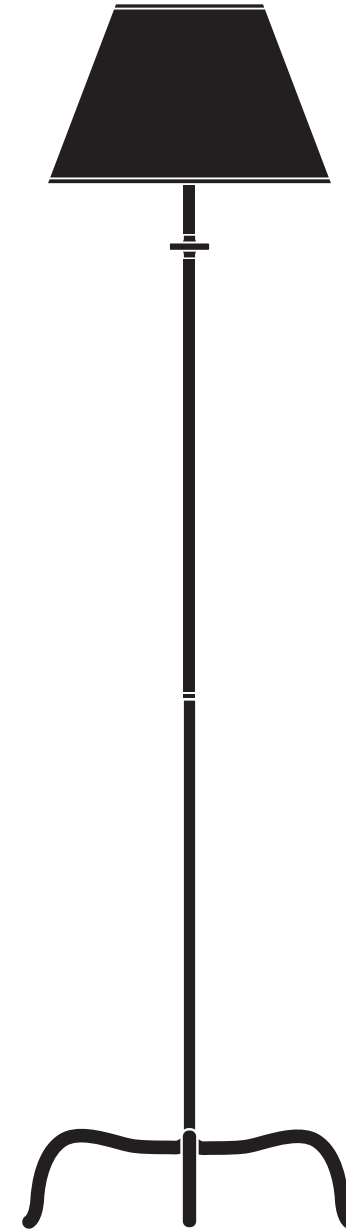


22/03/2023

Please retain these instructions for future reference.



STROUD FLOOR LAMP USER GUIDE



Product Code:
12000141

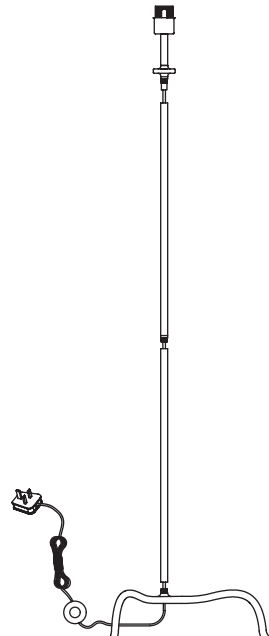
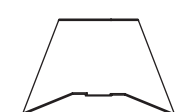
Getting started

Thank you for purchasing this John Lewis & Partners product. For your safety, and to make sure everything is working properly, please read the instructions carefully before use.

Warnings

This is a Class II product and must NOT be earthed. Please read these instructions carefully before commencing any work. Your lamp has been packaged as separate parts to prevent damage during transit. When manoeuvring or assembling this product, it must be lifted from the bottom section. The lamp must be protected by a 3 amp fuse in the mains plug. If you are in any doubt, please consult a qualified electrician. For your safety, always switch off the supply before cleaning or changing the bulb. If the mains cable becomes damaged it must only be replaced by a technically competent, qualified person. Always use correct type and wattage bulb. Never exceed the wattage stated.

Parts list

Description	Image	Quantity
Light fitting (3 sections + base) and shade ring		x 1
Shade		x 1

Product assembly

Step 1

Carefully unpack the carton, making sure all the parts are present before assembly.

Step 2

Screw tube (B) on to the top section (A) in a clockwise direction. Take care not to trap the cable or cross the threads. Then screw tube (C) on to tube (B) in the same way.

Step 3

Gently pull any excess cable through from under the base (D). Turn the completed assembly anticlockwise approximately 6 times. (Turning the tubes anticlockwise first ensures that the cable will straighten when the tubes are fully assembled). Screw the assembly in a clockwise direction on to the base.

Step 4

Stand the product upright. Check the tightness of the joints by hand.

Step 5

To fit the shade (E), first remove the shade ring (F) from the threaded lampholder. Place the shade over the lampholder and refit the shade ring. Secure in place.

Step 6

Fit the recommended bulb (G) as per the details overleaf.

Step 7

Unbundle the cable from the cable tie. Your floor lamp is now ready to use. Switch on using the floor switch.

