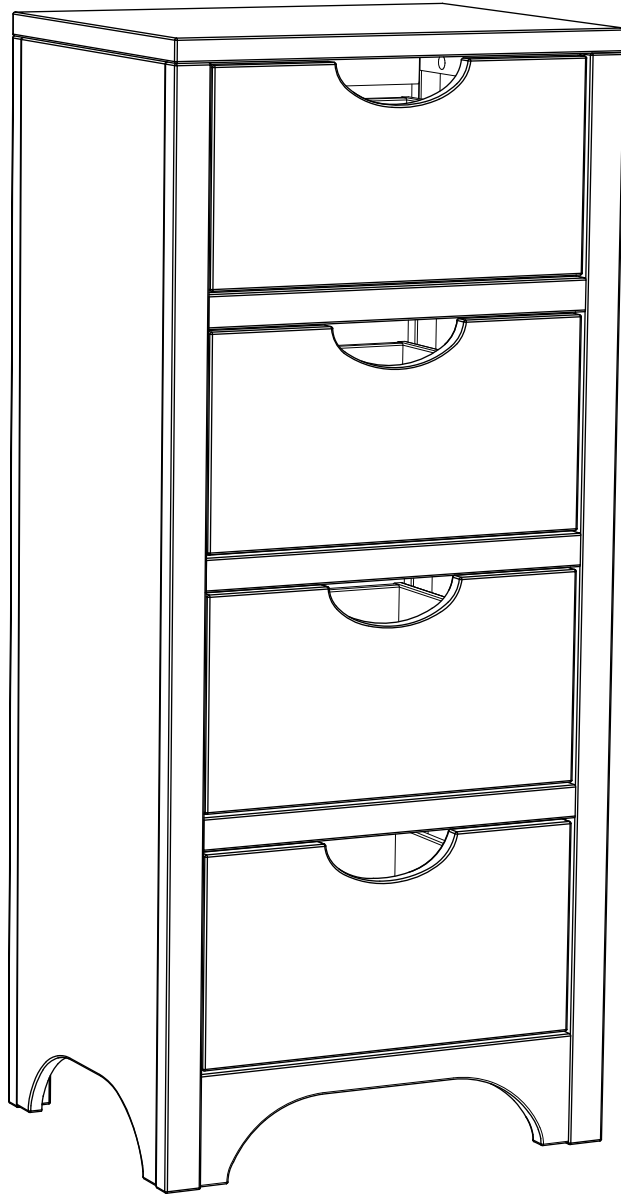


JOHN
LEWIS
& PARTNERS

Arc Tall Chest of Drawers

Stock number: 393 30502



IMPORTANT RETAIN FOR FUTURE REFERENCE READ CAREFULLY

H117.5 W 51 D 40cm

Introduction

Thank you for purchasing the Arc Tall Chest of Drawers

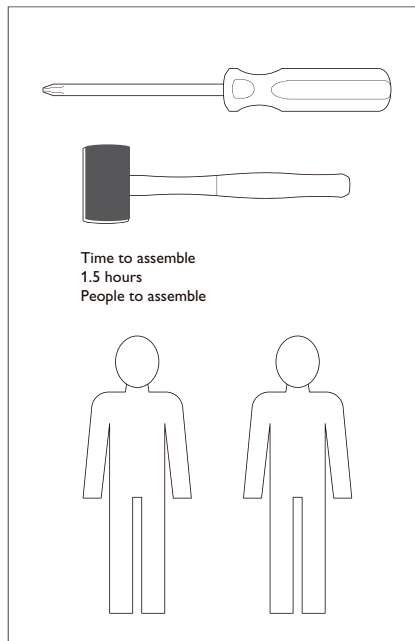
Please read the instructions and warnings carefully before use, to ensure safe and satisfactory operation of this product.

At John Lewis, we are committed to making great products possible. From our in-house Design Team, to our Buyers, we work together to bring great design to life.

Our expert Product Technologists work collaboratively with our buyers and suppliers to assure the legality, safety and quality of the product we sell. We are all committed to designing and developing products to the highest industry standards.

We hope you are happy with your product and welcome any feedback or comments you may have

Tools required



Important safety information

⚠ Warning: In order to prevent overturning, this product must be used with the wall attachment device provided.

Serious or fatal crushing injuries can occur from furniture tipping over. To help prevent topple over, please observe the following:

1. Use the wall attachment device provided
2. Never allow children to climb or hang on drawers, doors or shelves.
3. Place heaviest items in the lower drawers or shelves.
4. Never open more than one drawer at a time.

An attachment device is provided with your product; however, you will need to source suitable fixings for your wall type. If in doubt, please consult a qualified tradesperson.

Always ensure the wall to be drilled is free from hidden electrical wires, water and gas pipes.

Warnings

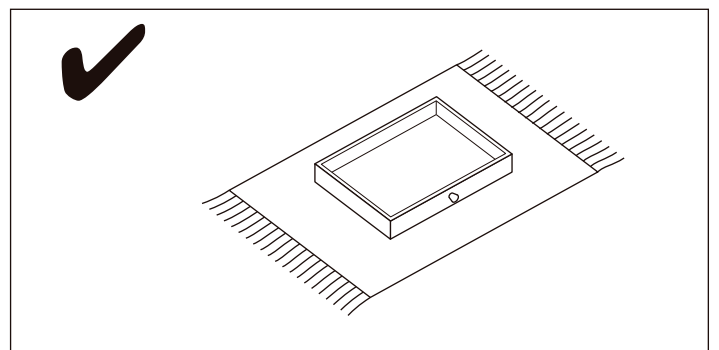
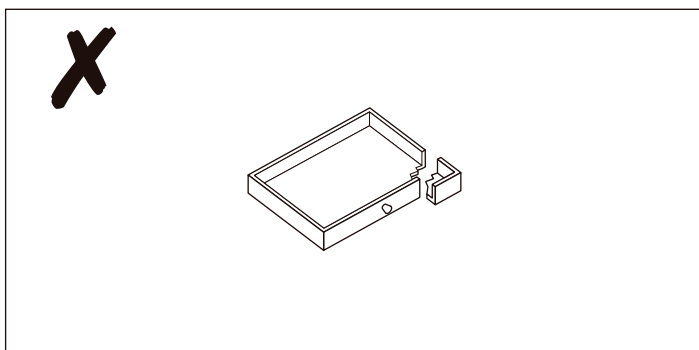
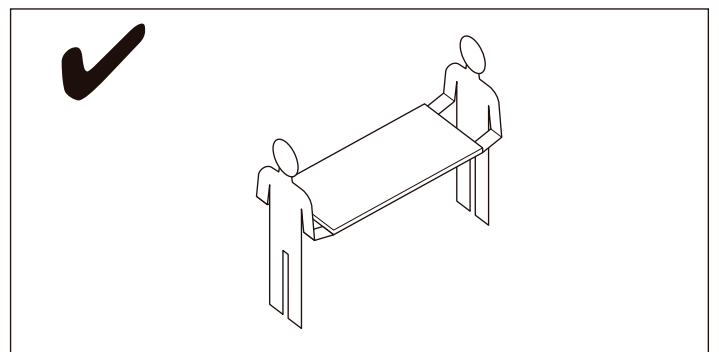
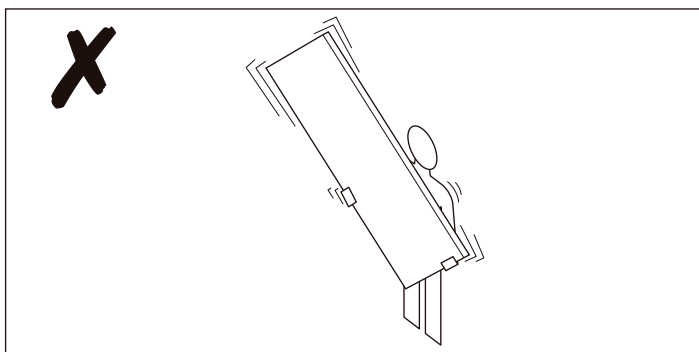
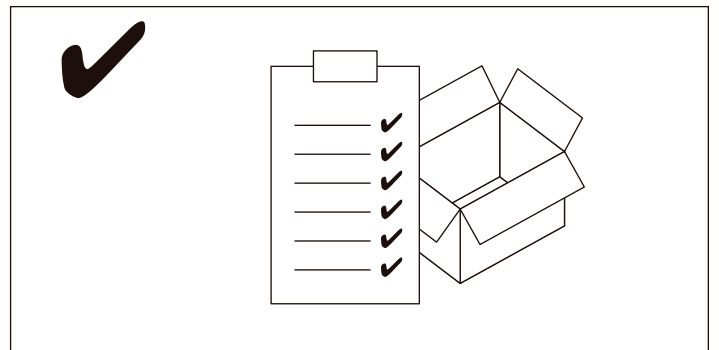
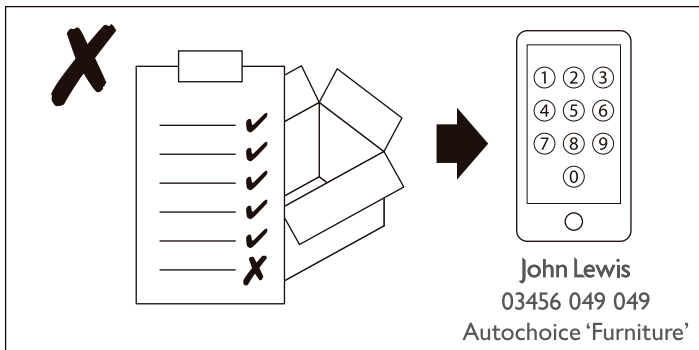
- ⚠ The product should only be used on firm, level ground.
- ⚠ Keep small parts out of reach of children.
- ⚠ Ensure the product is fully assembled as illustrated before use.
- ⚠ Care should be taken that no screws are loose because a child could trap parts of their body, or clothing (e.g. strings, necklaces, ribbons, dummies, etc) which could pose a risk of strangulation.
- ⚠ Ensure that the wall bracket is used to securely attach the dresser to the wall to prevent tipping.
- ⚠ Any additional or replacement parts must only be obtained from John Lewis & Partners.
- ⚠ During assembly children should be kept away from the product due to possible risk of injury.
- ⚠ Do not use this item if any components are missing or damaged.

Do's

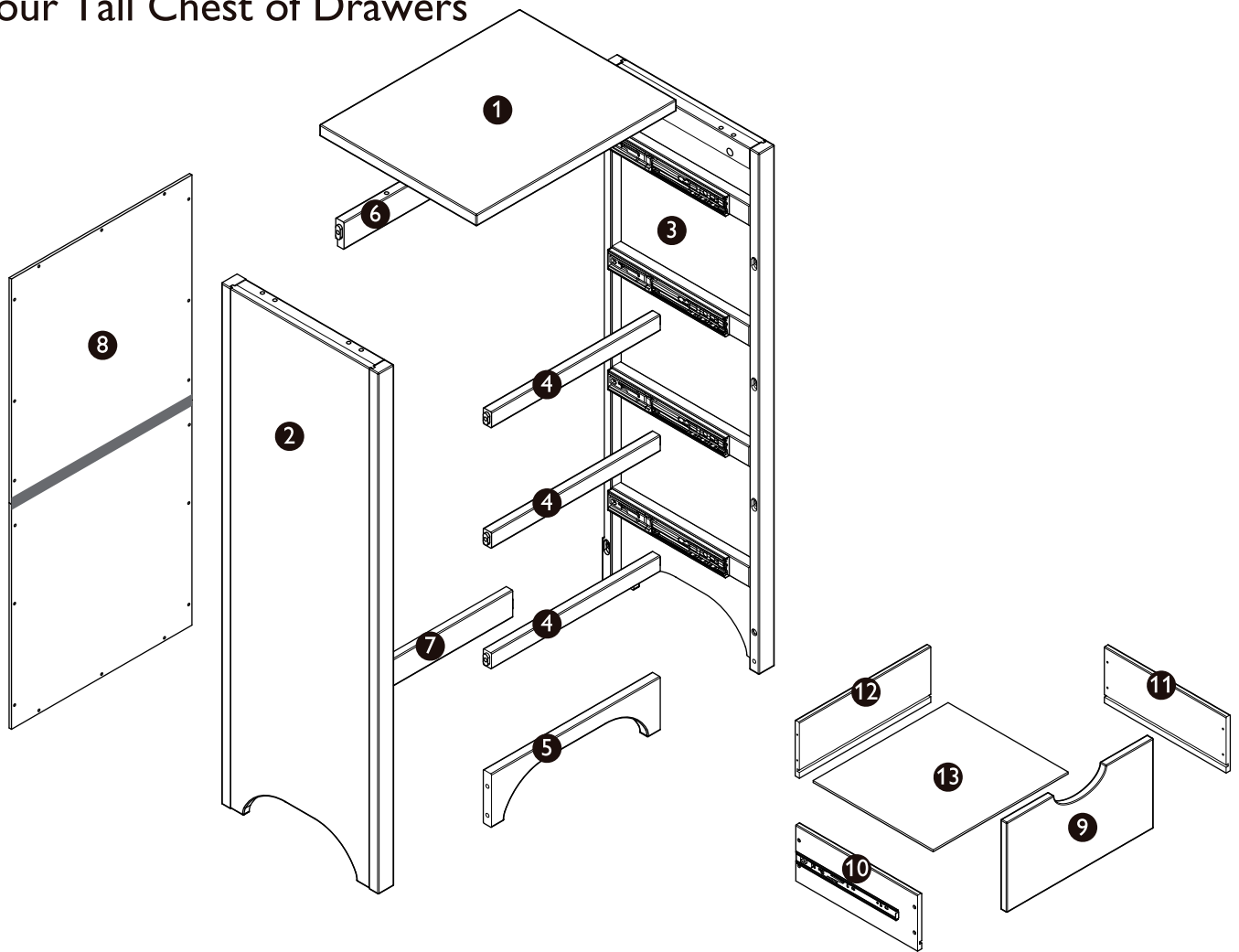
- ✓ Check the pack and make sure you have all the parts listed.
- ✓ Check all screws or bolts are tightened and inspect regularly.
- ✓ Make sure the legs remain in contact with the ground at all times.

Don'ts

- ✗ Do not over tighten screws or bolts.
- ✗ Do not stand on the product.
- ✗ Do not use power tools to construct as over tightening and panel failure may occur.



Your Tall Chest of Drawers



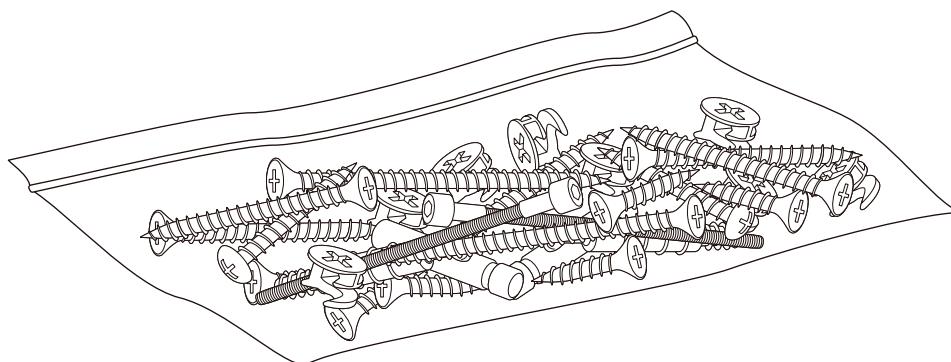
Ref	Description	Dimensions	Qty
①	Top panel	510mm x 400mm x 25mm	1
②	L/H side panel	1150mm x 400mm x 40mm	1
③	R/H side panel	1150mm x 400mm x 40mm	1
④	Top Front Rail	440mm x 35mm x 21mm	3
⑤	Bottom Front Rail	430mm x 118mm x 21mm	1
⑥	Top Back Rail	440mm x 60mm x 21mm	1
⑦	Bottom Back Rail	440mm x 60mm x 21mm	1
⑧	Top & Bottom Back panel	995mm x 460mm x 5mm	1
⑨	Drawer Front	424mm x 225mm x 36mm	4
⑩	L/H drawer side panel	352mm x 140mm x 12mm	4
⑪	R/H drawer side panel	352mm x 140mm x 12mm	4
⑫	Drawer back	380mm x 140mm x 12mm	4
⑬	Drawer Base	390mm x 347mm x 5mm	4

Internal dimensions


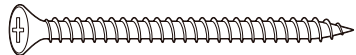

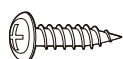




Stock number : 393 30502

Bookcase overall size: H117.5 W 51 D 40cm




Fixtures and fittings



Fixtures and fittings
supplied (actual size)

Ref	Description	Dimensions	Qty	mm
A	Wooden dowels	8mm x 30mm	6	
B	Screw	4.0mm x 45mm	16	
C	Screw	3.5mm x 25mm	16	
D	Screw	3.5mm x 16mm	19	
E	Plastic Barrel Nut	9mm x 9mm	16	
F	Allen head screw	6mm x 50mm	12	
G	Cam heads	15mm x 11mm	6	
H	Cam rods	5mm x 33mm	6	

Fixtures and fittings
supplied (not actual size)

Ref	Description	Dimensions	Qty	
J	Allen key M4	M4 x 106mm	1	
K	Metal 'L' Bracket	73 x 15 x 24mm	1	
M	Crescent Washer	25 x 15 x 6mm	12	

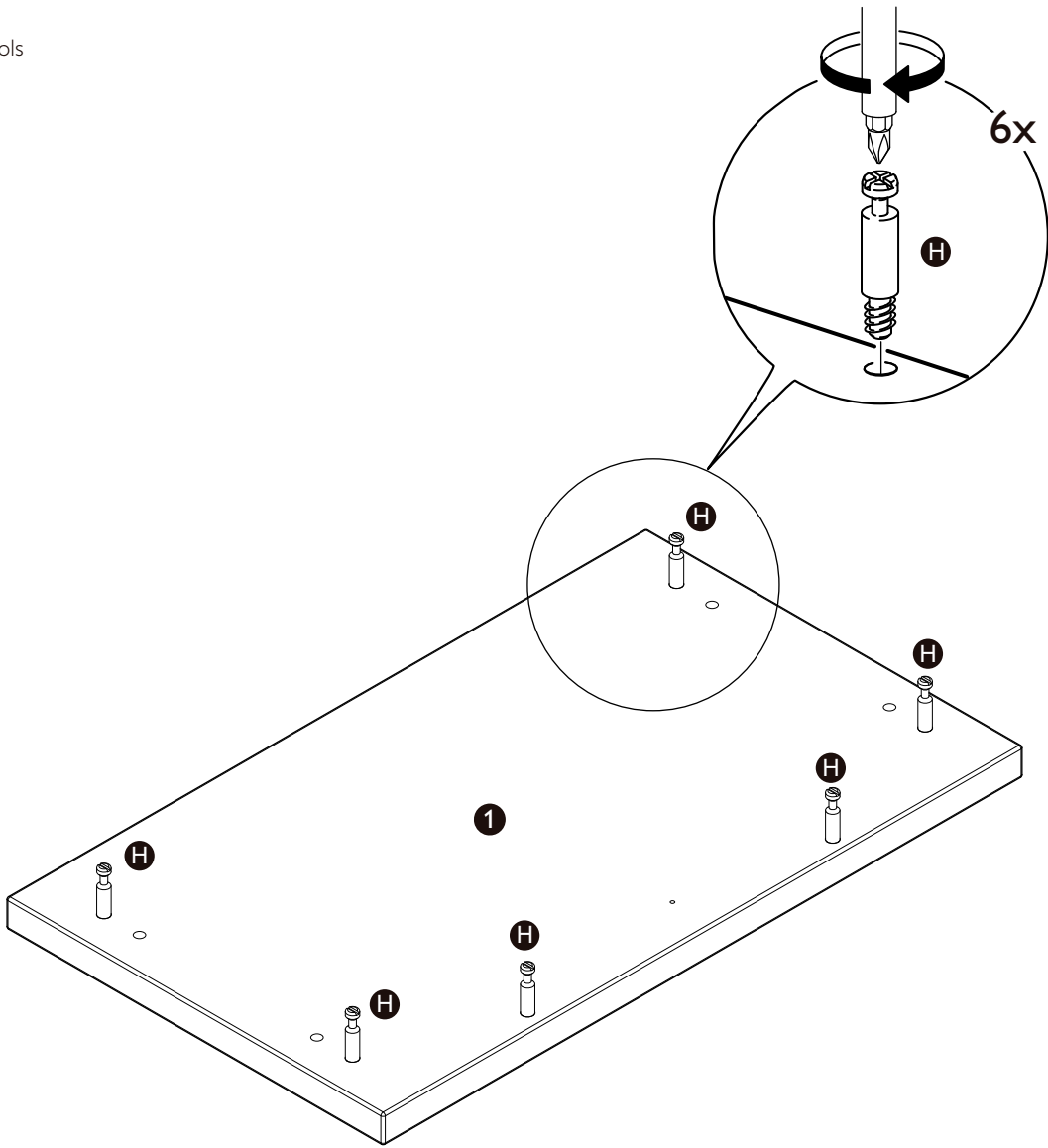
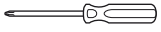
Product assembly

Arc Tall Chest of Drawers

Step 1

Parts, fittings and tools

H **1**



Product assembly

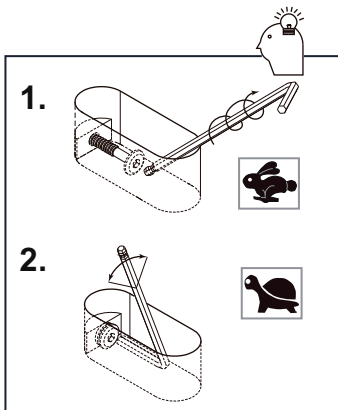
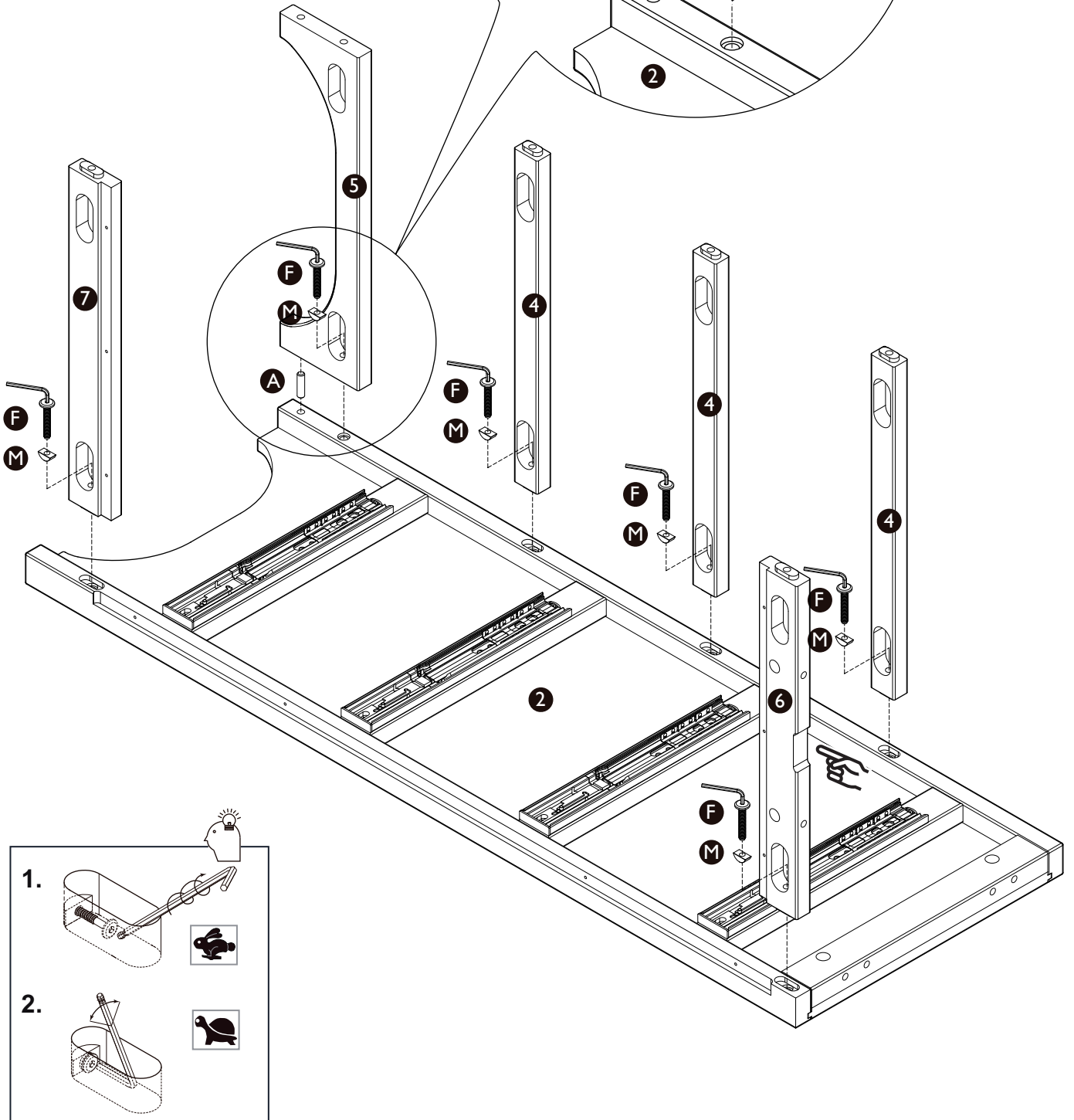
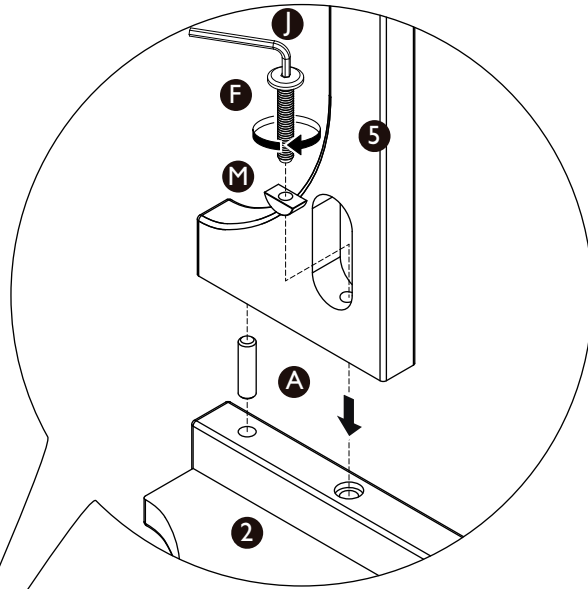
Arc Tall Chest of Drawers

Step 2

Parts, fittings and tools

A F M J

2 4 5 6 7



Product assembly

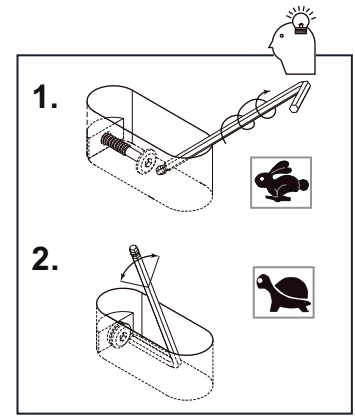
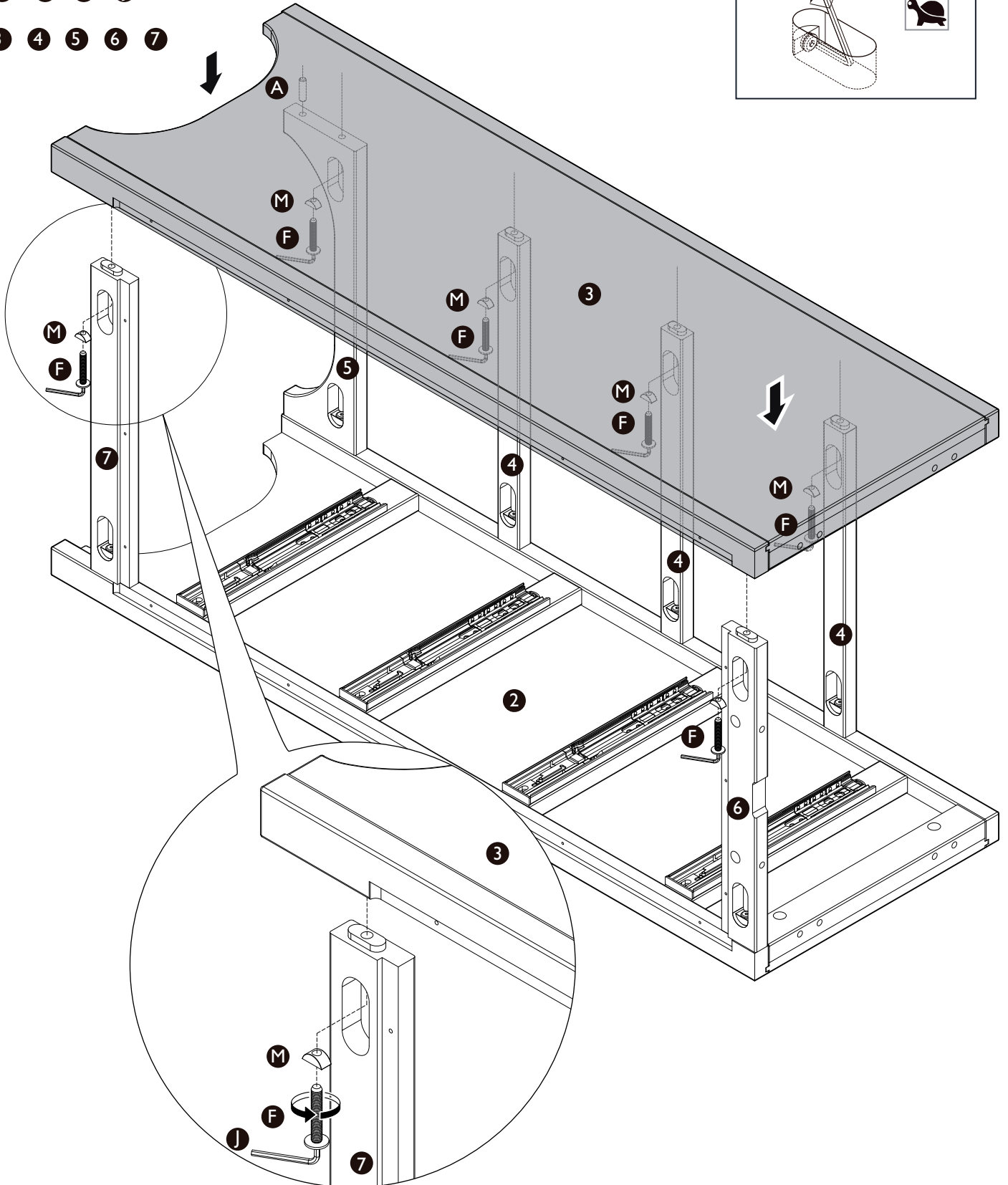
Arc Tall Chest of Drawers

Step 3

Parts, fittings and tools

A F M J

3 4 5 6 7



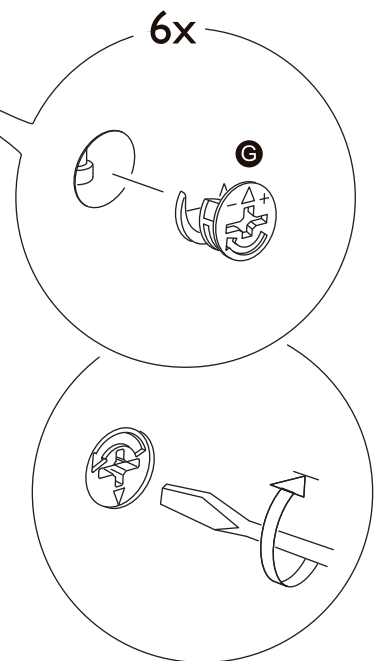
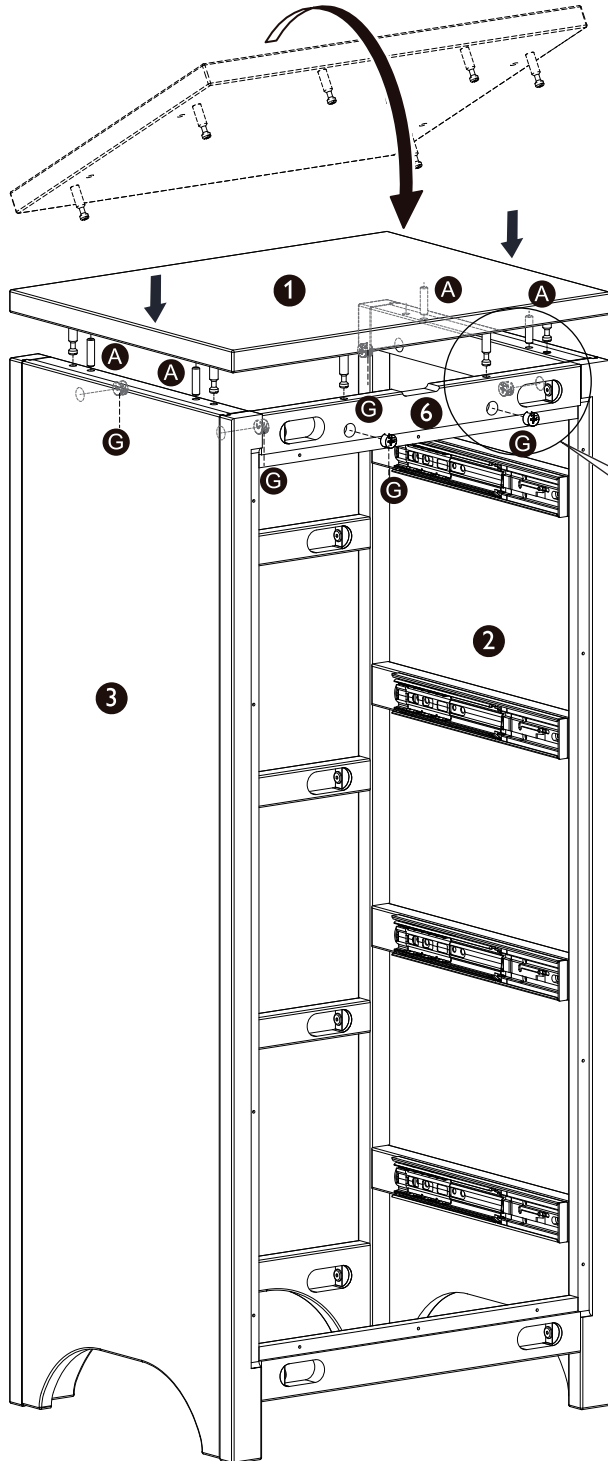
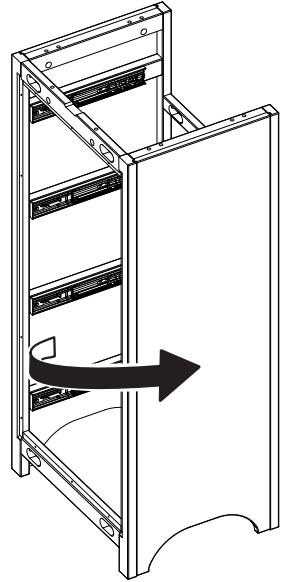
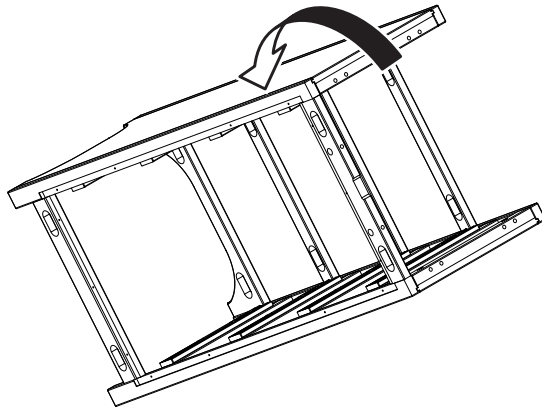
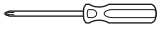
Product assembly

Arc Tall Chest of Drawers

Step 4

Parts, fittings and tools

A G 1 2 3 6



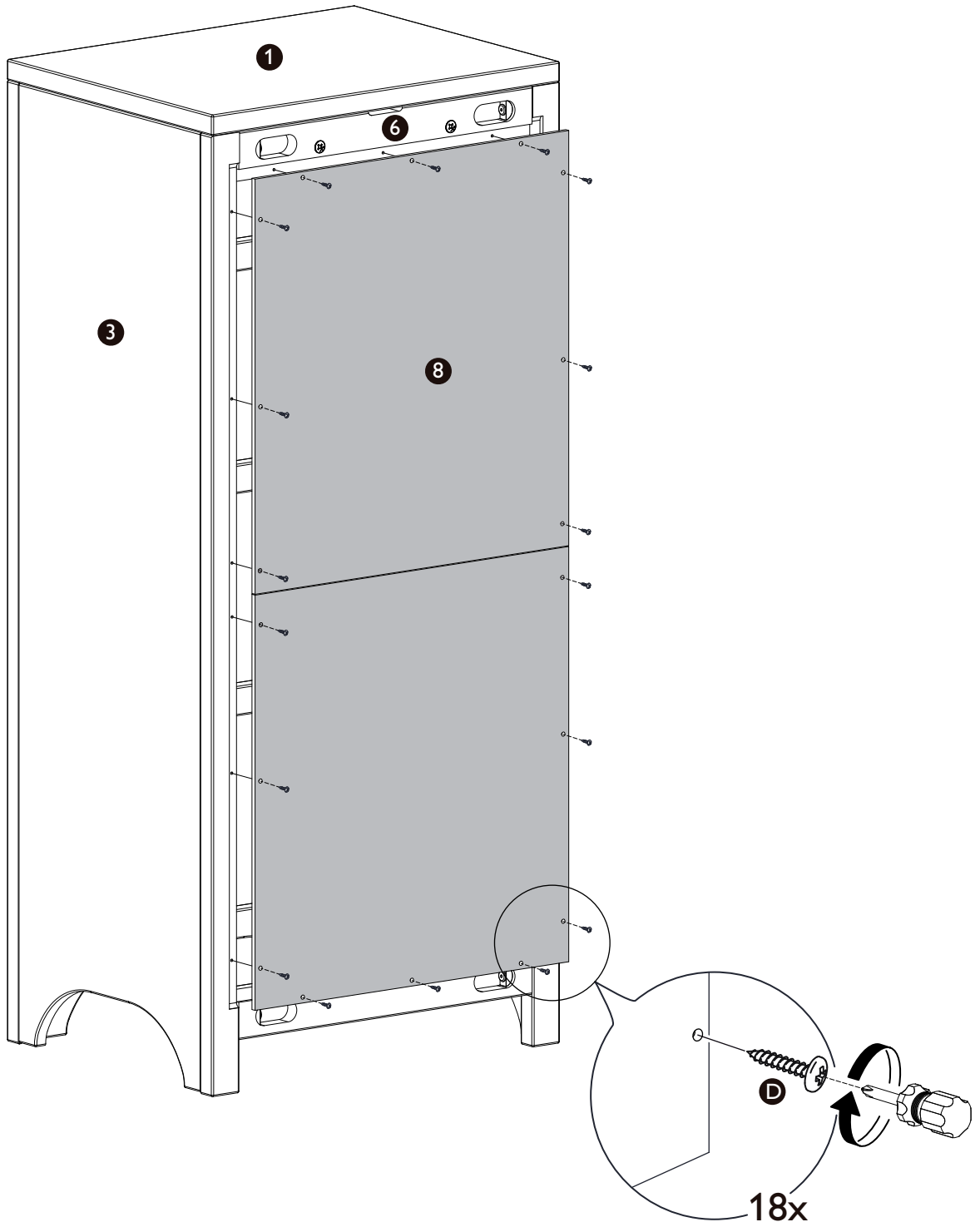
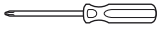
Product assembly

Arc Tall Chest of Drawers

Step 5

Parts, fittings and tools

D **2** **3** **6** **7** **8**



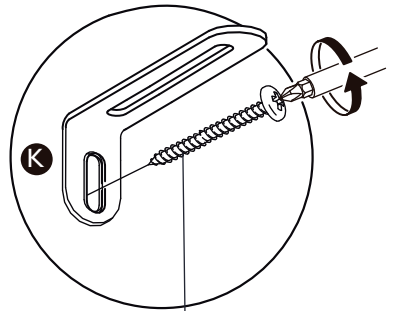
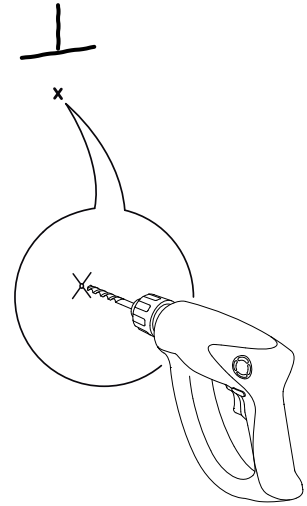
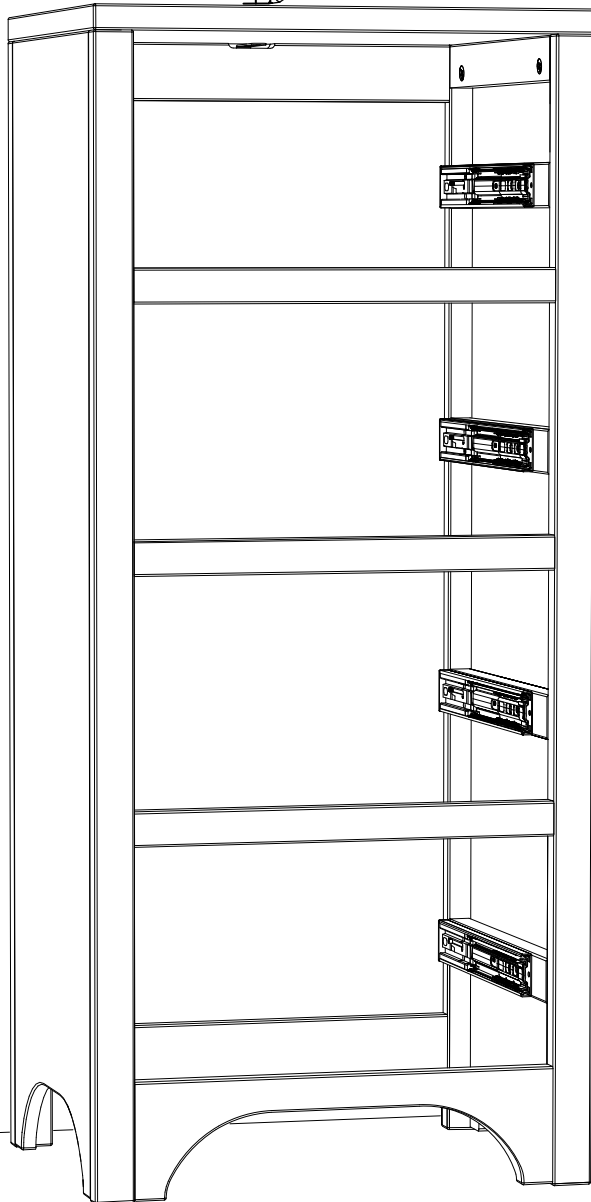
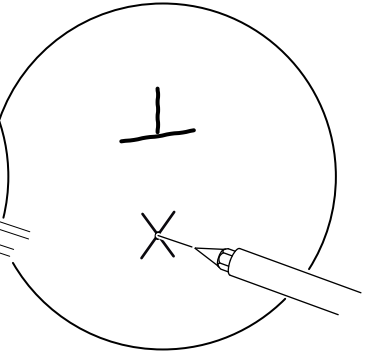
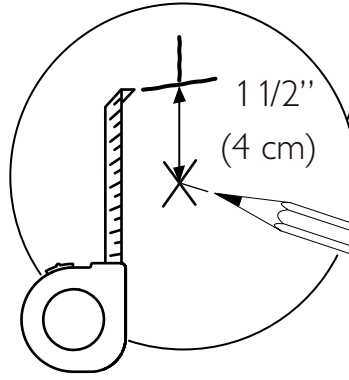
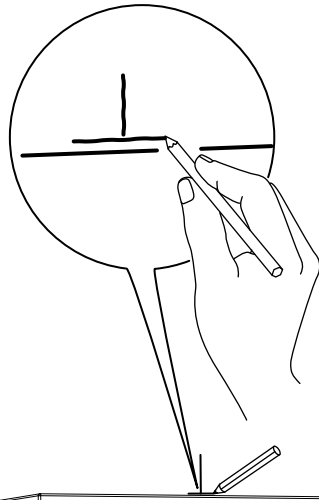
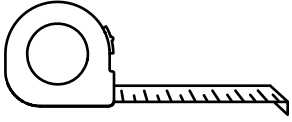
Product assembly

Arc Tall Chest of Drawers

Step 6

Parts, fittings and tools

K



Wall fixing screws are not included

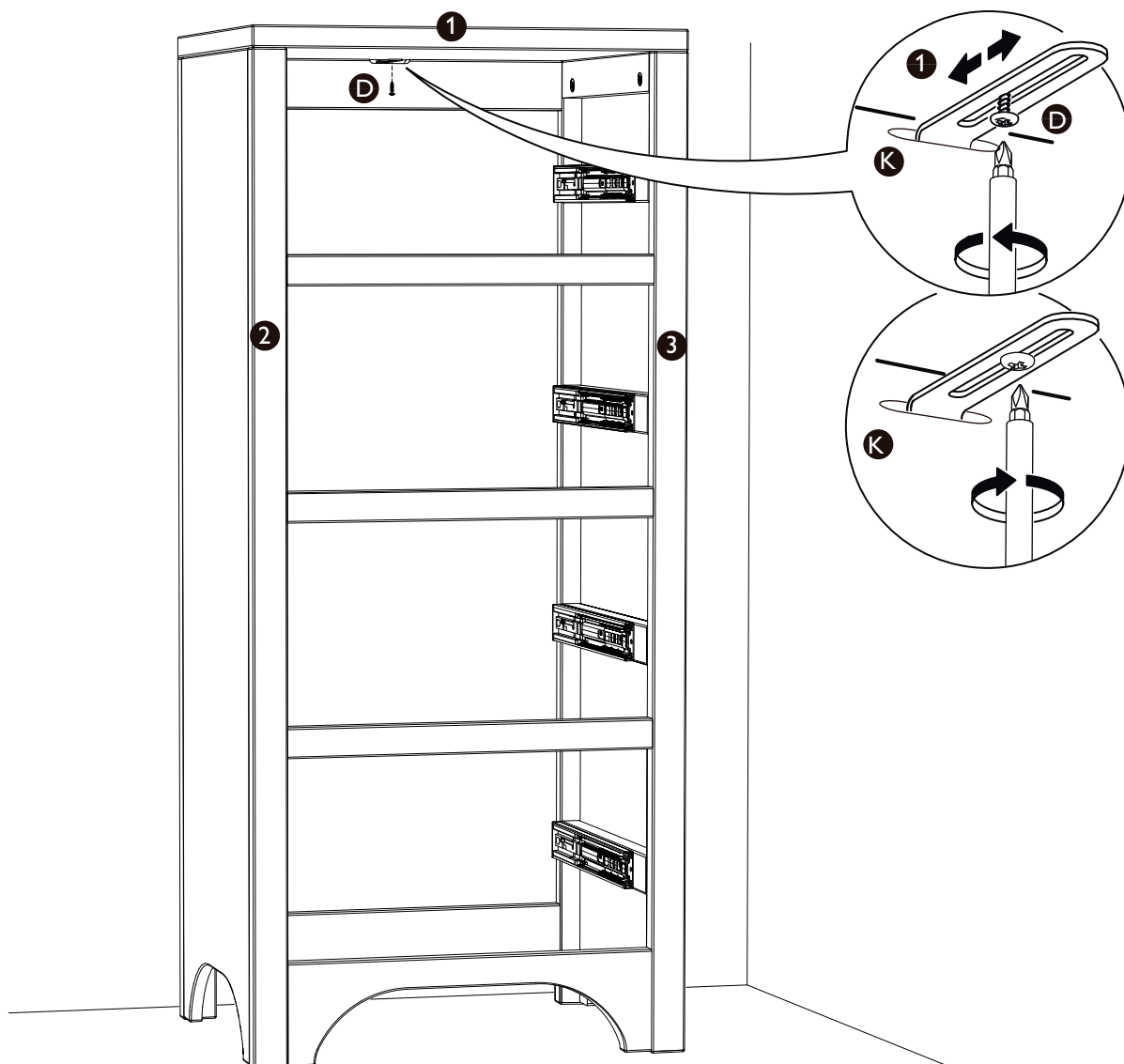
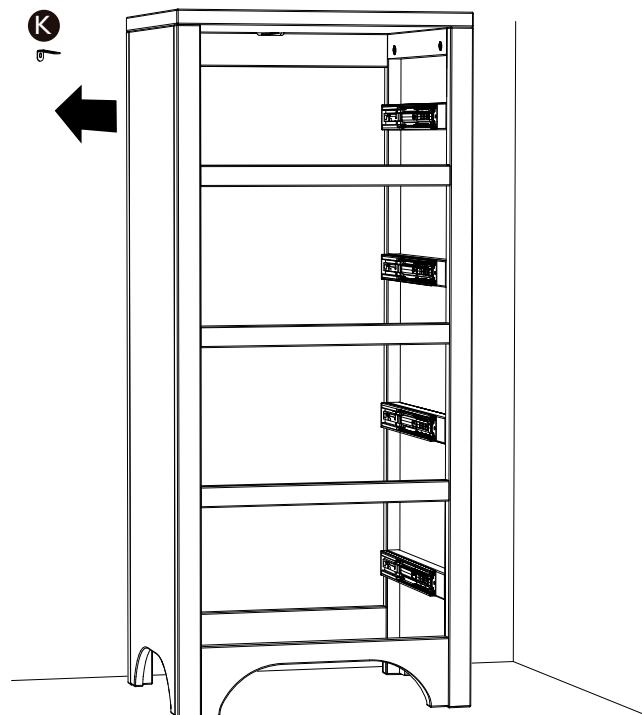
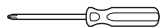
Product assembly

Arc Tall Chest of Drawers

Step 7

Parts, fittings and tools

D **K** **1**



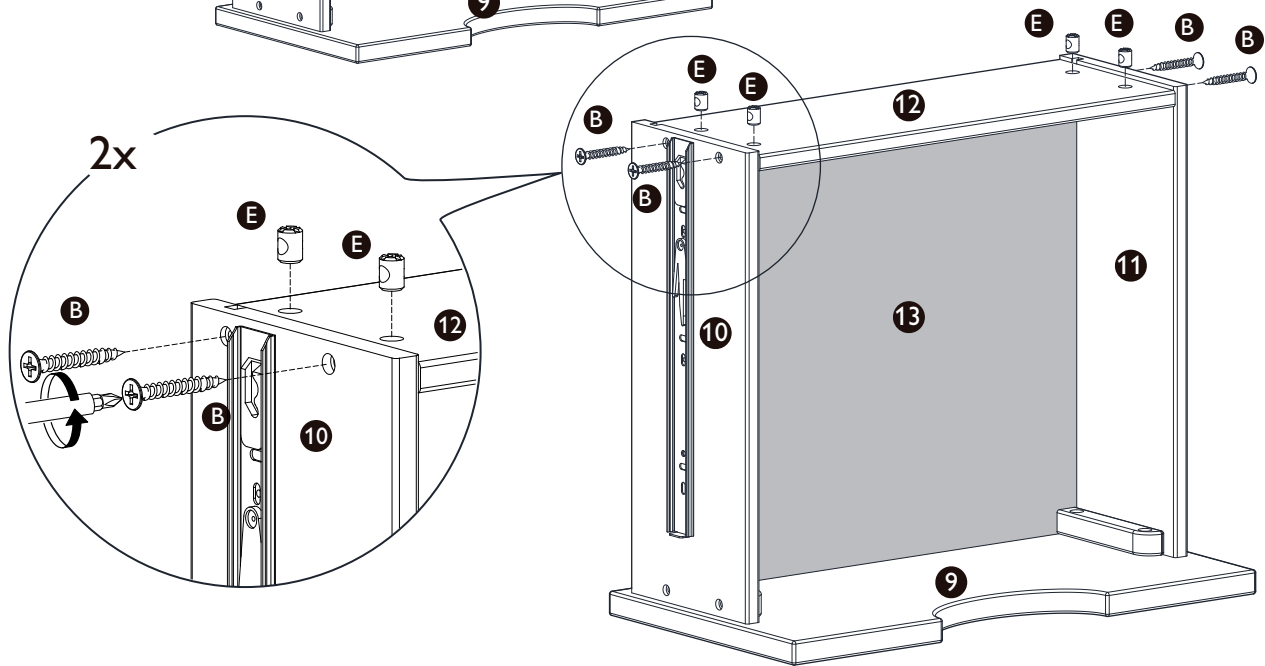
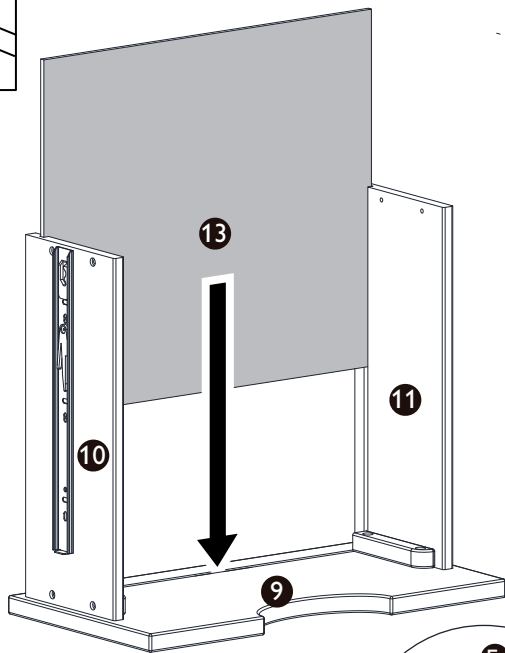
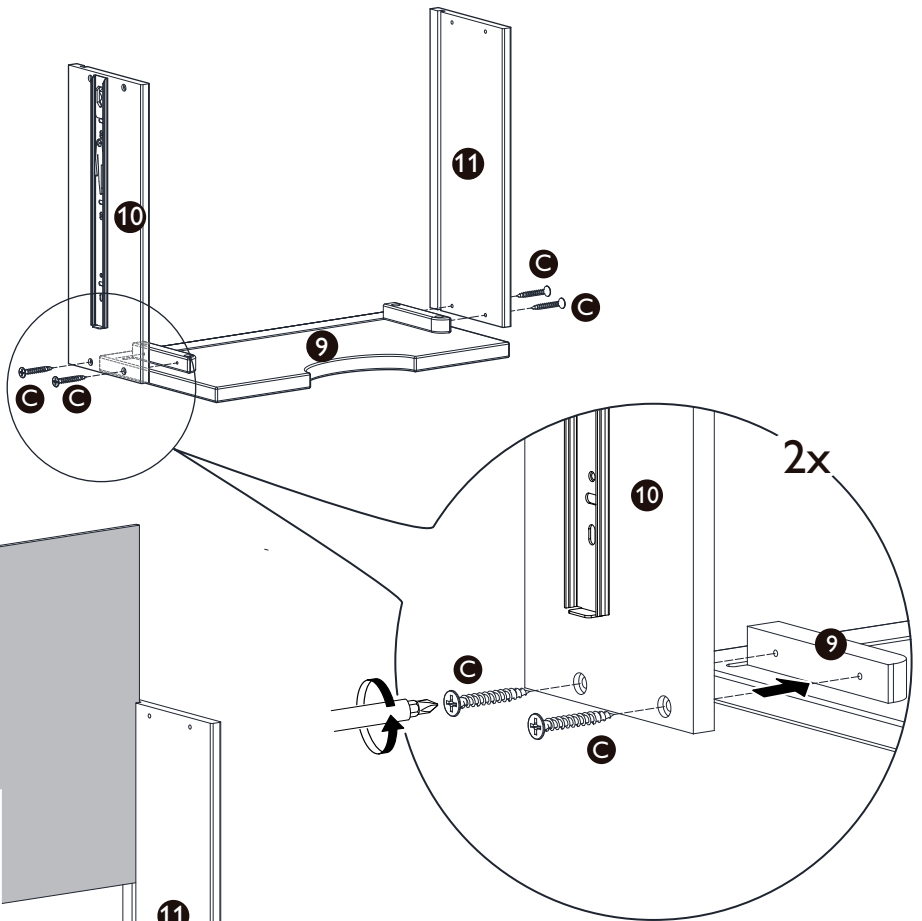
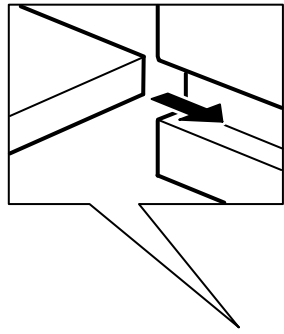
Product assembly

Arc Tall Chest of Drawers

Step 8

Parts, fittings and tools

- B** **C** **E**
- 9** **10** **11** **12** **13**



NOTE: Repeat for remaining drawers

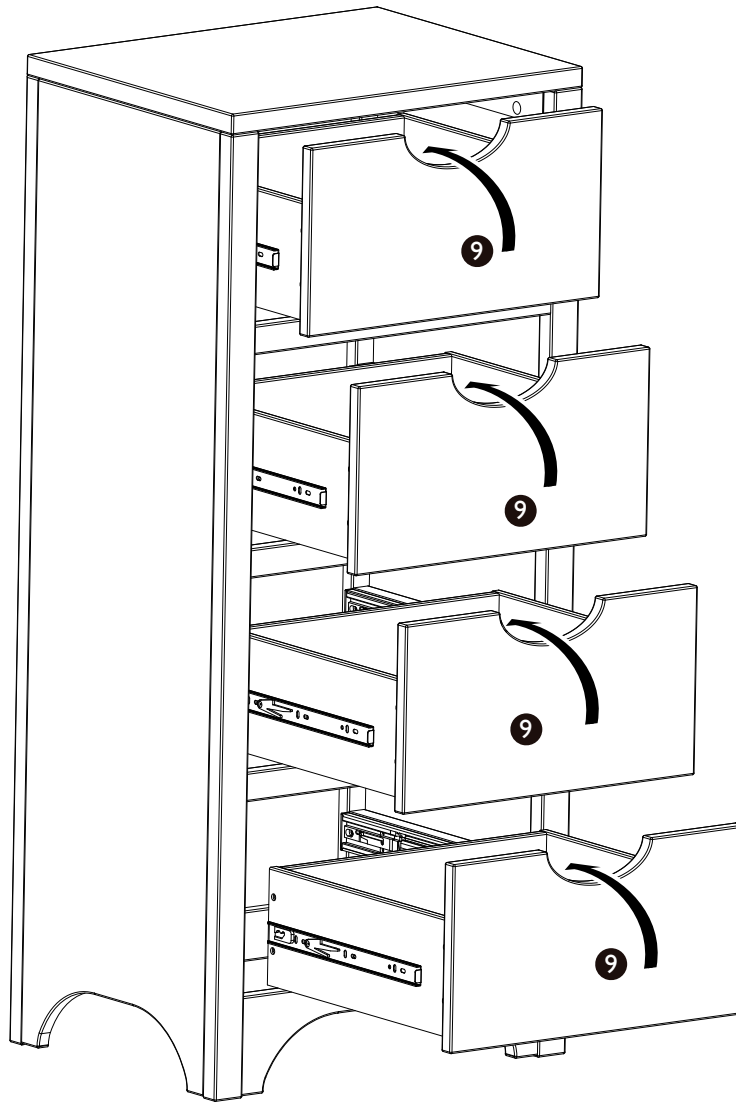
Product assembly

Arc Tall Chest of Drawers

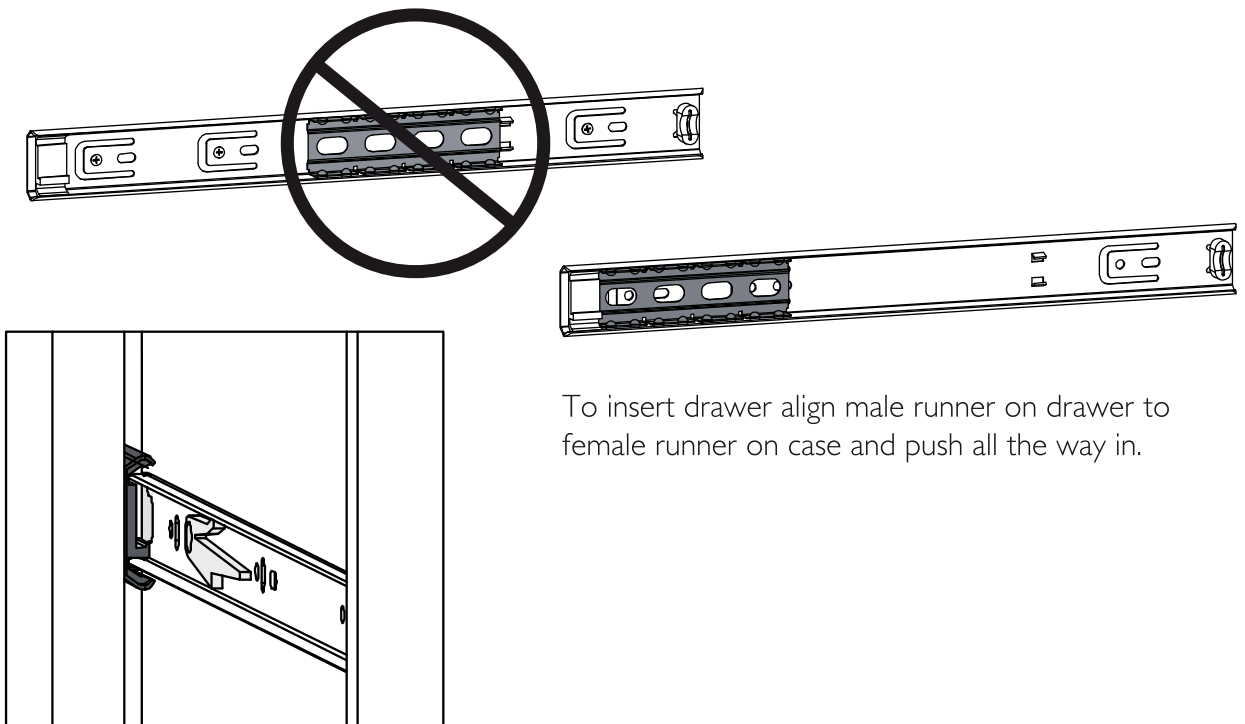
Step 9

Parts, fittings and tools

9



The silver portion of the glide must be pulled to the front of the glide when assembling the drawer into the case.

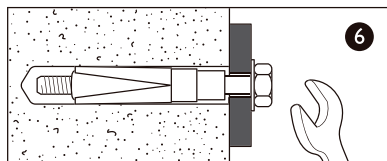
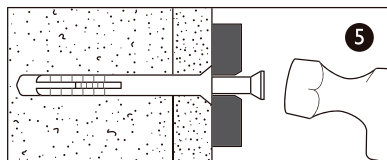
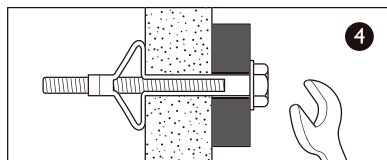
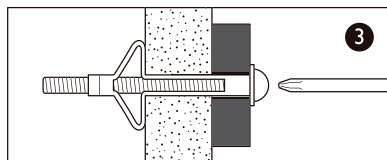
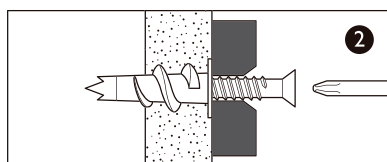
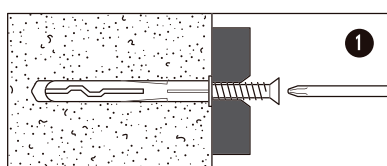


To insert drawer align male runner on drawer to female runner on case and push all the way in.

Wall mounting and fixings

⚠ Warning In order to prevent overturning this product must be used with the wall attachment device provided. Wall fixing screws are not included, since different wall materials require different types of screws/ fixings. Please ensure you use the correct screws/fixings for your type of walls and seek professional advice if you are not sure. Installation shall be carried out exactly according to the instructions provided - otherwise a safety risk can occur if incorrectly installed. Failure of the product due to incorrect fixings is the responsibility of the installer.

Important: When drilling into the walls always check that there are no hidden wires or pipes etc.



Types of walls

You can use one of the following types of wall plug if your walls are made of brick, breezeblock, concrete, stone or wood.

1. General Purpose wall plug

Generally aerated blocks should not be used to support heavy loads, use a specialist fitting in this case. For light loads, general - purpose wall plugs can be used.

2. Plasterboard wall plug

For use when attaching light loads on to plasterboard partitions.

3. Cavity Fixing wall plug

For use with plasterboard partitions or hollow wooden doors.

4. Cavity Fixing- Heavy Duty wall plug

For use when fitting or supporting heavy loads such as shelving, wall cabinets and coat racks.

5. Hammer Fixing wall plug

For use with walls stuck with plasterboard. The hammer fixing allows it to be fixed to the wall rather than the plasterboard. Always check the fixing is secure to the retaining wall.

6. Shield Anchor wall plug - Heavy loads

For use with heavier loads such as TV and Hi-Fi speakers and satellite dishes etc.

⚠ Care and maintenance

Safety: Periodically check all fittings and wall fixings to ensure they have not come loose and retighten as necessary.

Care and maintenance

Your furniture may be cleaned by wiping with a damp cloth and drying with a soft clean cloth.

Do not use abrasives, bleach, alcohol or ammonia-based household polishes.

Take care when handling or moving the furniture. Careless handling may cause damage.

Regularly check that all fixings are tightened and that there are no broken or damaged parts.

Safety notes

Warning: Do not leave your child unattended.

Keep children clear during assembly as pack contains small parts which may present a choking hazard.

All assembly fixings should always be tightened properly. Care should be taken that no screws are loose because a child could trap parts of their body, or clothing (e.g. strings, necklaces, ribbons, dummies, etc) which could pose a risk of strangulation.

Be aware of the risks of open fires and other such sources of strong heat, such as electric bar fires, gas fires, etc. in the near vicinity of the dresser.

Ensure that the wall strap is used to securely attach the product to the wall to prevent tipping.

Do not use this product if any of the parts are broken, torn or missing.

Any additional or replacement parts can only be obtained from the manufacturer or the distributor.

Safety instructions

Never drag furniture when moving it, always lift it.

Periodically check all fixings to ensure none have come loose and retighten when necessary. Please take care when handling or moving the furniture as careless handling may cause damage or injury.

Furniture can be dangerous if incorrectly installed. Assembly should be carried out by a competent person.

No liability will be accepted for damage or injury caused by incorrectly installed or assembled furniture.

Retain these instructions for future reference.

Your feedback is very important to us and we would love to hear your comments on your new furniture. Please visit our website to leave a review. Thank you.