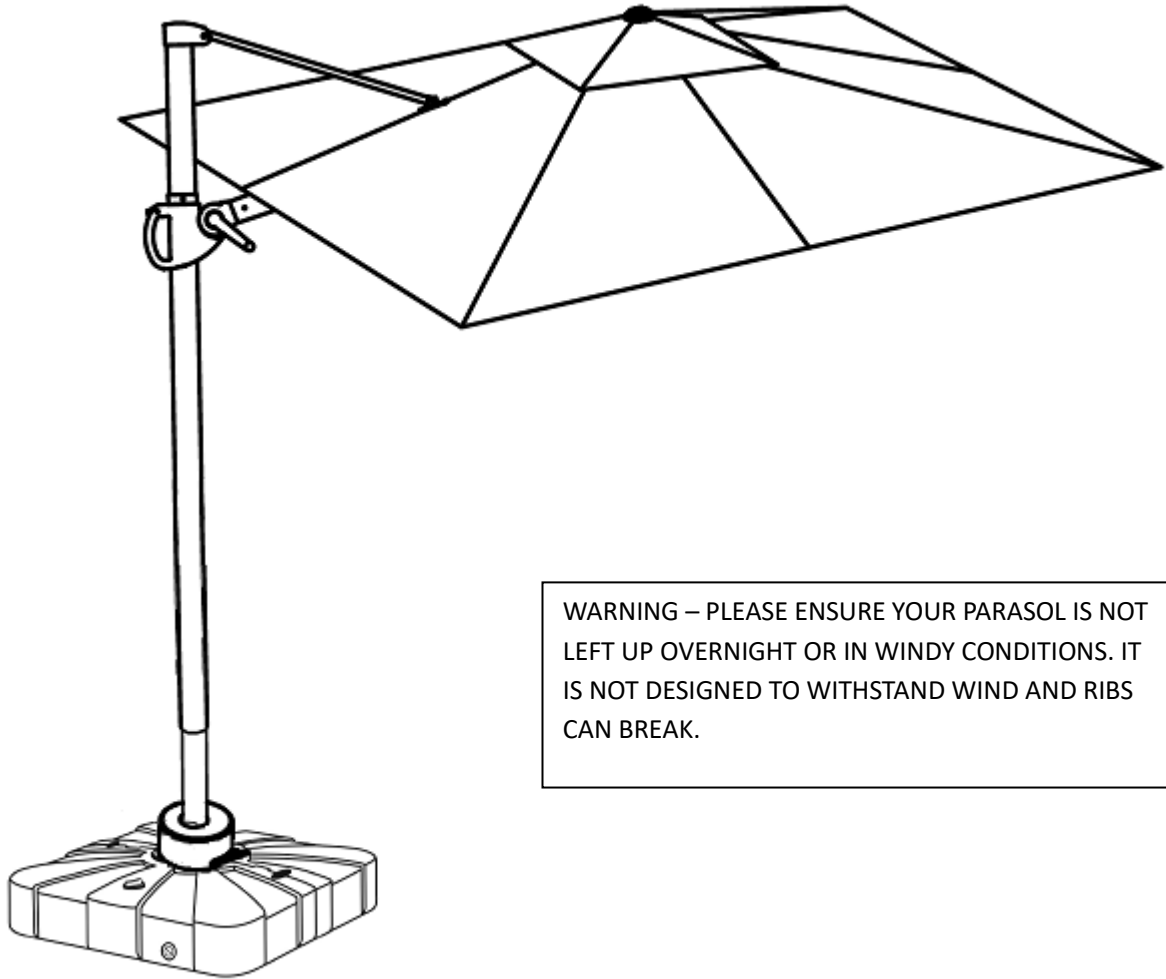


Free Standing 360 2.5M Parasol and Base
Stock Number: 82011830/82011831



WARNING – PLEASE ENSURE YOUR PARASOL IS NOT LEFT UP OVERNIGHT OR IN WINDY CONDITIONS. IT IS NOT DESIGNED TO WITHSTAND WIND AND RIBS CAN BREAK.

H250 L250 W250cm

Thank you for purchasing the John Lewis and Partners Free Standing 360 2.5M Parasol and Base. Please make sure you read the instructions and warnings carefully before proceeding to ensure safe and satisfactory operation of this product.

At John Lewis and Partners we are committed to making great products possible, from our in-house design team to our buyers, we work together to bring great design to life.

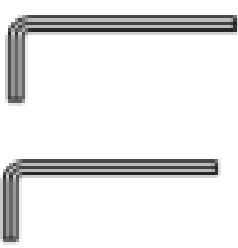
Our expert Product Technologists work collaboratively with our buyers and suppliers to assure the legality, safety, and quality of the product we sell.

We are all committed to designing and developing products to the highest industry standards.

We hope you are happy with your product and welcome any feedback or comments you may have.

The John Lewis and Partners team.

Tools Required (Supplied)

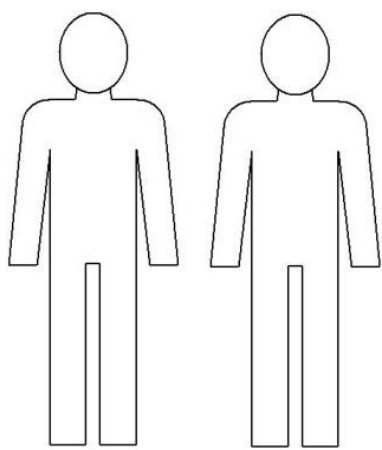


M10

M8

Time to assemble
20 minutes

People required to assemble



Important safety information

Warnings

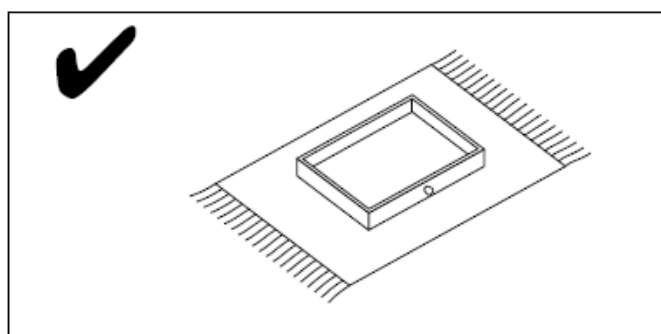
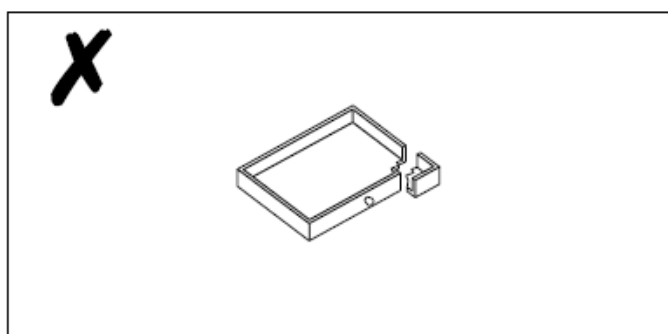
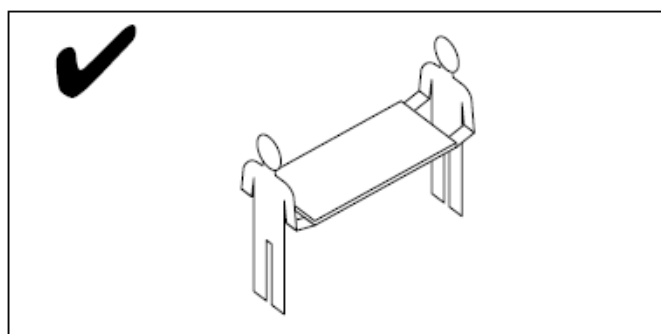
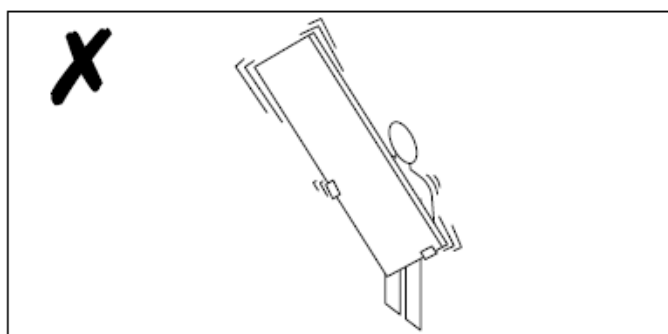
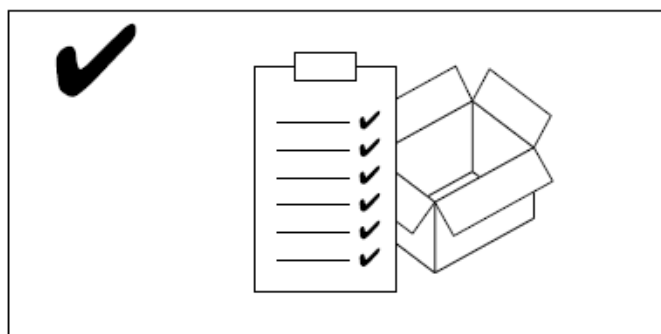
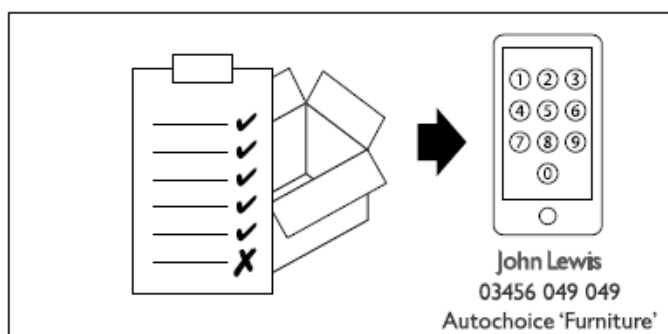
- △The product should only be used on firm, level ground.
- △Keep small parts out of reach of children.
- △Ensure the product is fully assembled as illustrated before use.
- △Parasol should not be used in high winds or during inclement weather.
- △This parasol must always be weighted with a suitable base weighing a minimum of 60 kg, even when closed.
- △When not in use, the parasol canopy should be closed and protected with a parasol cover.

Do

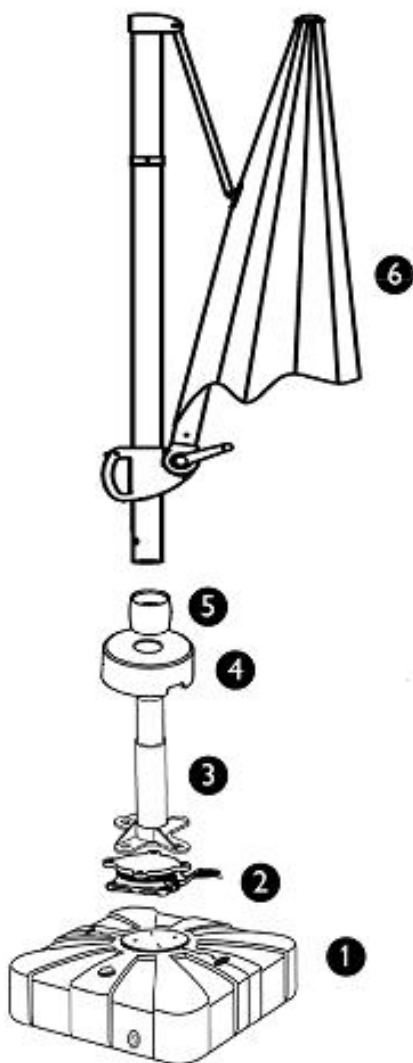
- ✓ Check the pack and make sure you have all the parts listed.
- ✓ Check all screws or bolts are tightened and inspect regularly.

Don't

- ✗ Do not over tighten the crank as this can damage the mechanism.
- ✗ Do not over tighten screws or bolts.
- ✗ Do not stand on the product.
- ✗ Do not use power tools to construct as overtightening and panel failure may occur.



Your parasol



Ref	Description	Dimensions	Qty
①	Fillable base		1
②	360 rotation mechanism	D58mm	1
③	Lower pole		1
④	Rotation cap		1
⑤	Tube collar		1
⑥	Canopy	12x18mm 8pcs, 250x250cm	1

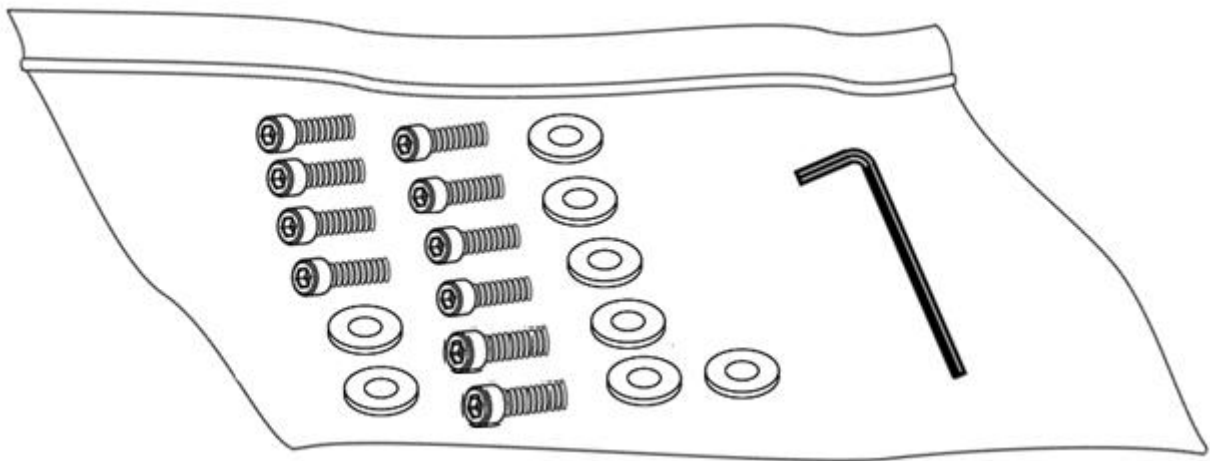
Internal dimensions

Stock number: 82011830/82011831





Parasol overall size: H250cm L250cm W250cm

Fillable Base overall size: L84cm W84cm H18.5cm

Fixtures and fittings



Fixtures and fittings
Supplied (not actual size)

Ref	Description	Dimensions	Qty	Image
A	Bolts M8x30	M8x30mm	4	
B	Washers	M8mm	4	
C	Bolts M10x20	M10x20mm	4	
D	Washers	M10mm	4	
E	Bolts M10x25	M10x25mm	2	
F	Allen key	M8mm	1	
G	Allen key	M10mm	1	

Product assembly

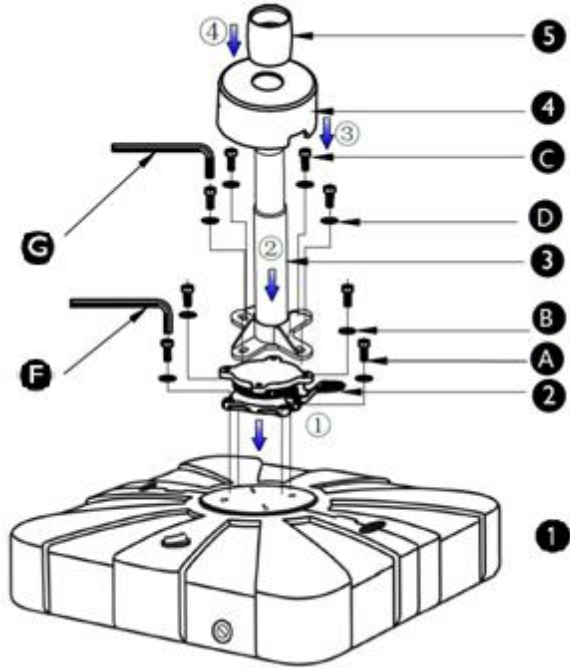
Free Standing 360 2.5M Parasol & Base
82011830/82011831

Step 1

Parts, fittings, and tools



Attach 360 rotation mechanism (2) to the centre of the assembled base (1), with bolts (A) and washers (B), using allen key (F). Then attach lower pole (3) to 360 rotation mechanism (2), with bolt (C) and washer (D), using allen key (G). Ensure all bolts (C) are fully tightened, but not overtight. Place rotation cap (4) and tube collar (5) over lower pole (3) and slide down as far as they will go.



Step 2

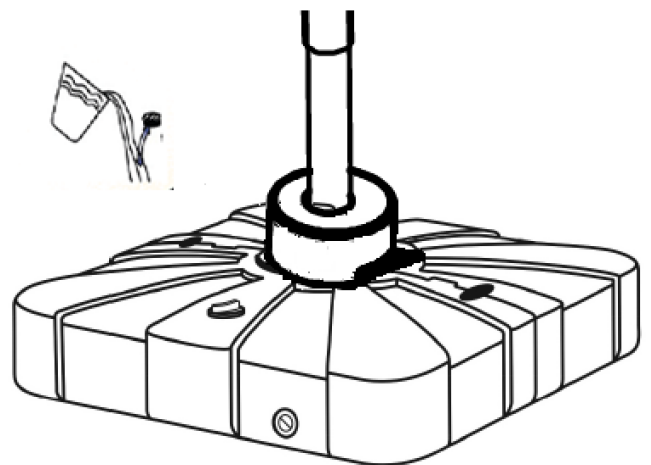
Parts, fittings, and tools

Fill the base with water or sand or both.
Sand is heavier than water and recommended.
Note if water freezes it could damage the base.



Warnings:

- Never have water in base if freezing conditions.
- Don't stand or jump on base.
- In high winds we recommend taking umbrella down to avoid it tipping over.
- When filled with water or sand, base is heavy, avoid moving and dropping.

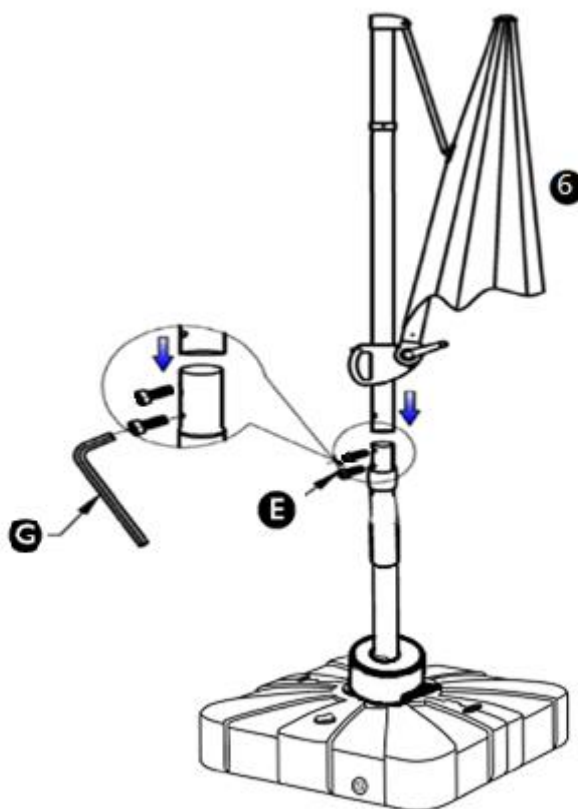


Step 3

Parts, fittings, and tools

6 E G

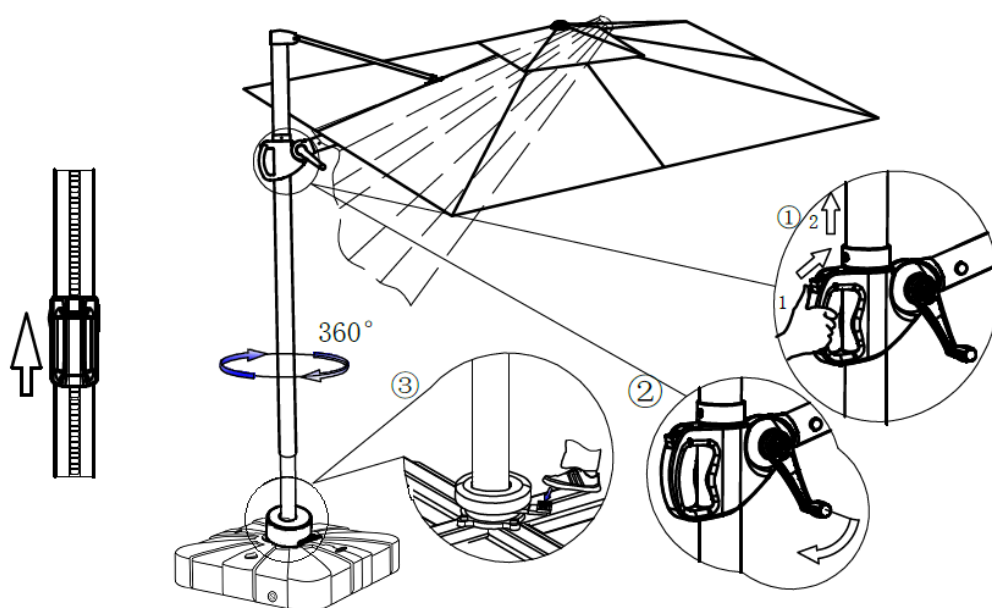
Attach parasol (6) to the top of the lower pole (3) and secure with bolts (E), using allen key (G).



Step 4

Parts, fittings, and tools

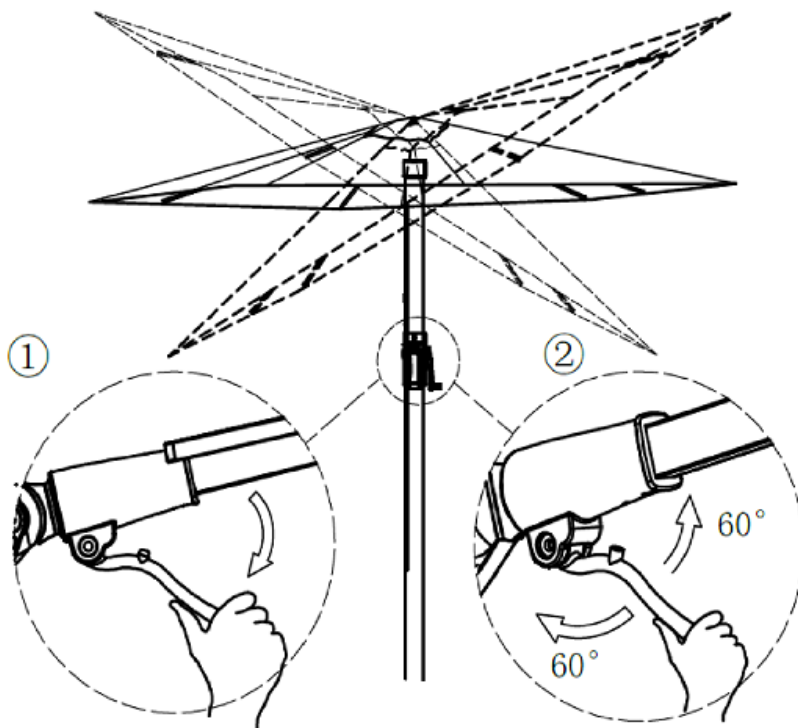
To put up the parasol (6), squeeze the handle on the pole and move it upwards to the desired height. To open the parasol, wind the crank handle in a clockwise direction. To close parasol wind the crank handle in an anti-clockwise direction. To rotate the parasol press on the foot pedal (3) and rotate as desired.



Step 5

Parts, fittings, and tools

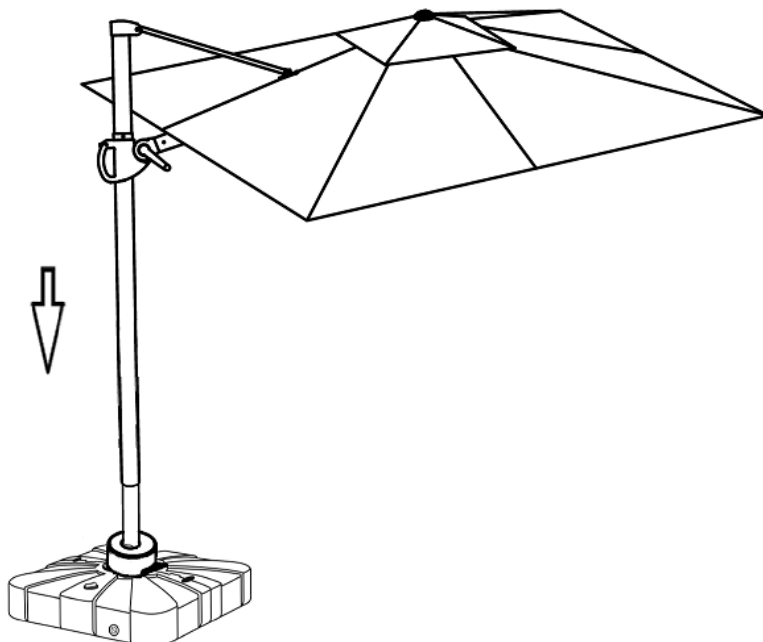
To tilt the parasol (6) release the lever above the crank handle, tilt the parasol as desired and return lever to original position to secure.



Step 6

Parts, fittings, and tools

After closing the parasol, always protect with parasol cover. This is not included.



Care guide

Care and maintenance

This product is made from powder coated steel/aluminium and polyester; it is suitable for outdoor use. Do not overtighten the crank as this can damage the mechanism. To extend the product life and appearance it is recommended to store the parasol in a cool dry, well-ventilated place such as a garage or shed over winter or during periods of unseasonal weather. Ensure that the parasol is clean and completely dry before putting into storage. Do not enclose the product in a plastic or other non-permeable material as this promotes rust and mould. Cover it with a dust sheet or furniture cover allowing the air to circulate around it. We recommend that you clean your parasol at the beginning and end of the season. To clean the parasol remove all dirt using mild soap and water. Never use abrasive chemicals or cleaning agents. Rinse thoroughly and allow to dry. Bird droppings and tree sap should be cleaned off immediately.

Safety instructions

This parasol has been designed for domestic use only. Parasol can be dangerous if incorrectly assembled, it should be carried out by a competent person. No liability will be accepted for damage or injury caused by incorrectly assembled parasols.

Parasols should not be used in high winds or during inclement weather.

This parasol must always be weighted with a suitable base, even when closed.

When not in use, the parasol canopy should be closed and covered with a parasol cover.

Never drag a parasol when moving it, always lift it.

Periodically check all fixings to ensure none have come loose and re-tighten where necessary.

Please take care when handling or moving the parasol as careless handling may cause damage or injury.

Ensure that the parasol is always on a solid and level surface at all times.

With all parasols, please exercise care when folding, unfolding, and adjusting positions to avoid any possibility of pinched or trapped fingers.

Please do not excessively tilt or sway this canopy. Please do not hang items from or swing from the canopy as this will cause tipping.

Retain these instructions for future reference.

Your feedback is very important to us, and we would love to hear your comments on your new furniture. Please visit our website to leave a review. Thank you.

John Lewis Plc,
SW1V 2QQ
Johnlewis.com