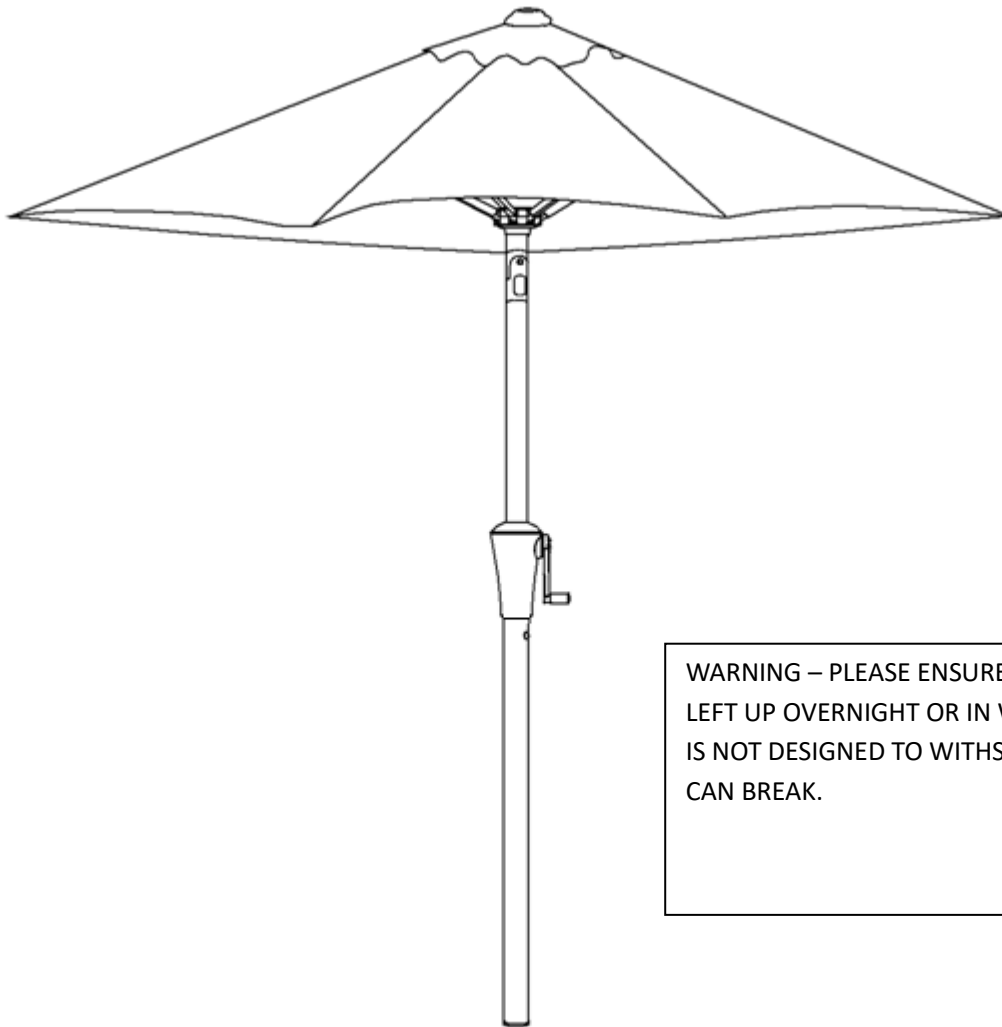


Wood Effect Parasol 2.2M

Stock number: 82011824/82011833



WARNING – PLEASE ENSURE YOUR PARASOL IS NOT LEFT UP OVERNIGHT OR IN WINDY CONDITIONS. IT IS NOT DESIGNED TO WITHSTAND WIND AND RIBS CAN BREAK.

H215 D220cm

Thank you for purchasing the John Lewis and Partners Wood Effect Parasol 2.2M. Please make sure you read the instructions and warnings carefully before proceeding to ensure safe and satisfactory operation of this product. At John Lewis and Partners, we are committed to making great products, from our in-house design team to our buyers, we work together to bring great design to life.

Our expert Product Technologists work collaboratively with our buyers and suppliers to assure the legality, safety and quality of the product we sell.

We are all committed to designing and developing products to the highest industry standard.

We hope you are happy with your product and welcome any feedback or comments you may have.

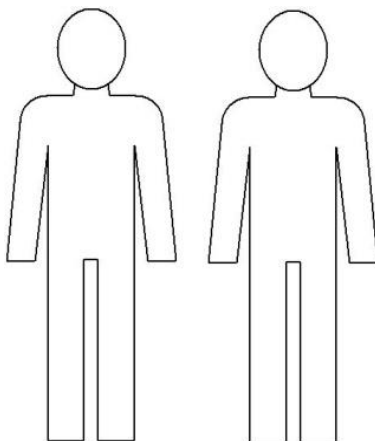
The John Lewis and Partners team.

## **No Tools Required**

**Time to assemble**

**5 minutes**

**People required to assemble**



# Important safety information

## Warnings

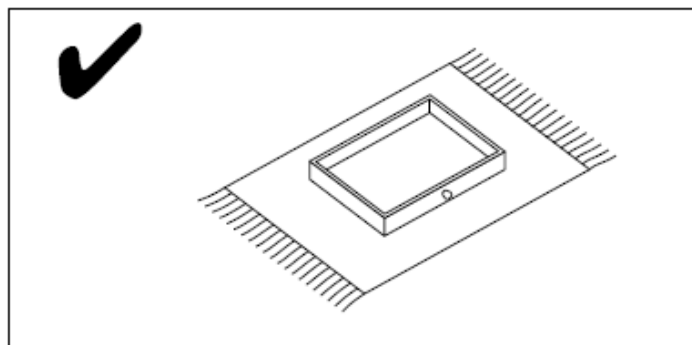
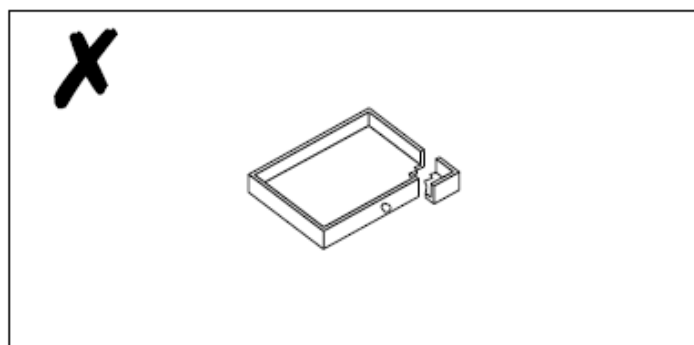
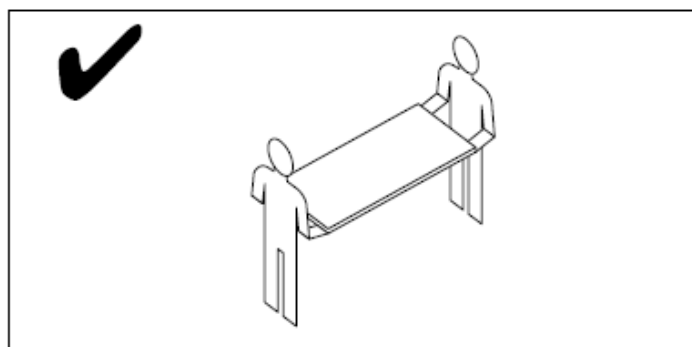
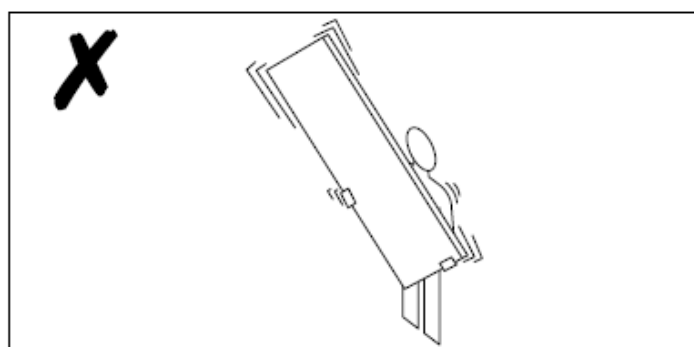
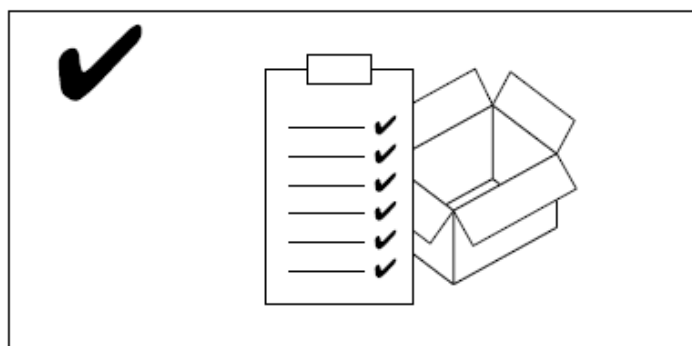
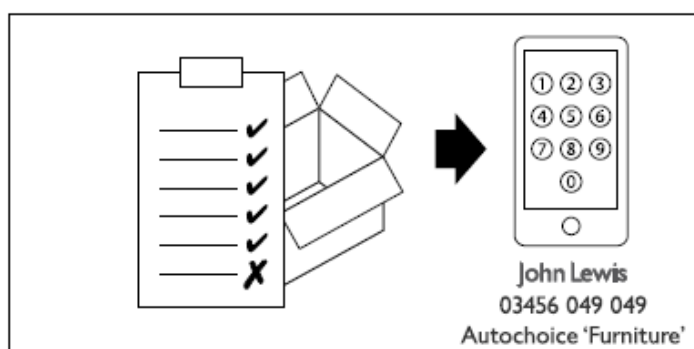
- △The product should only be used on firm, level ground.
- △Keep small parts out of reach of children.
- △Ensure the product is fully assembled as illustrated before use.
- △Parasol should not be used in high winds or during inclement weather.
- △This parasol must always be weighted with a suitable base weighing a minimum of 15 kg, even when closed.
- △When not in use close parasol canopy and use a parasol cover.
- △Store away when cold wet and windy weather conditions.

## Do

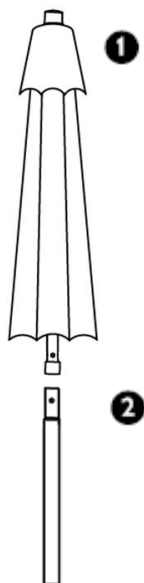
- ✓ Check the pack and make sure you have all the parts listed.

## Don't

- ✗ Do not over tighten the crank as this can damage the mechanism.
- ✗ Do not stand on the product.



## Your parasol



Ref	Description	Dimensions	Qty
①	Canopy Section	Aluminium main pole 38mm, steel rib 12x18mmx6pcs	1
②	Lower Pole	Pole size 38mm	1

Internal dimensions

Stock number: 82011824/82011833

Parasol overall size:H215 D220cm

## Fixtures and fittings

None

# Product assembly

Wood Effect Parasol 2.2M

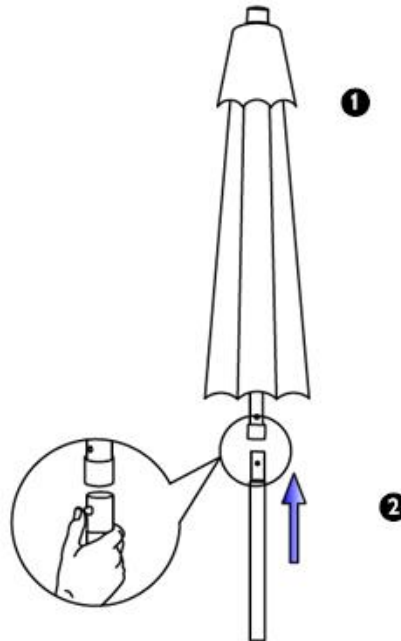
82011824/82011833

## Step 1

Parts, fittings, and tools

① ②

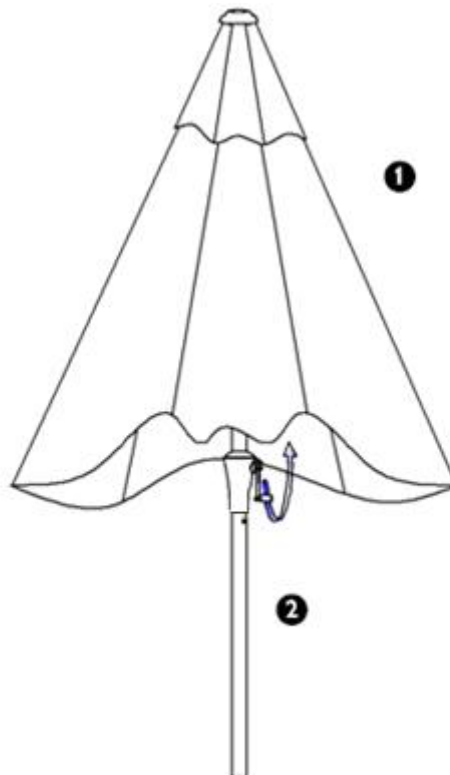
Insert the pole of the parasol canopy (1) into the lower pole (2)



## Step 2

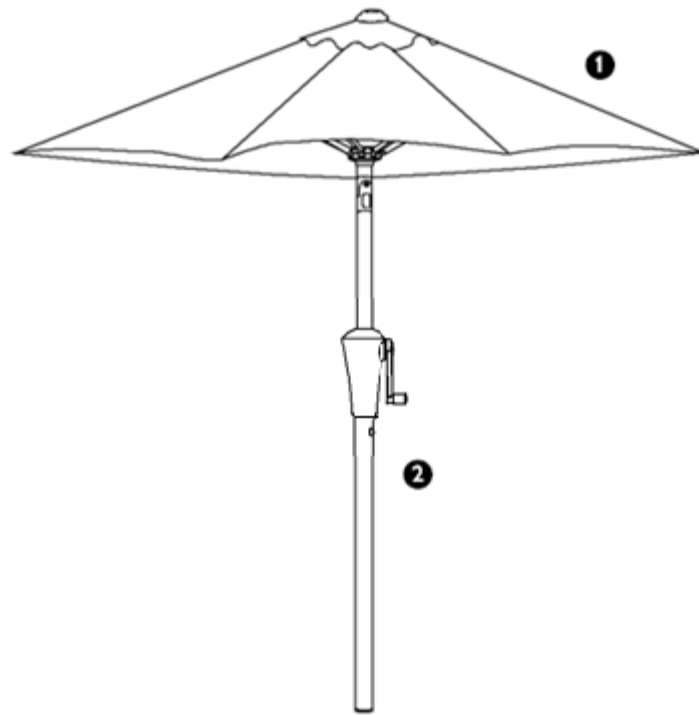
Parts, fittings, and tools

To put the parasol canopy (1) up, wind the crank handle in a clockwise direction. To put the parasol canopy (1) down, wind the crank handle in an anti-clockwise direction.



## Step 3

Parts, fittings, and tools



## Step 4

Parts, fittings, and tools

To tilt the parasol canopy (1),  
press the button near the top of  
the pole and angle as desired.



## Care guide

### Care and maintenance

This product is made from powder coated steel/aluminium and polyester; it is suitable for outdoor use. Do not overtighten the crank as this can damage the mechanism. To extend the product life and appearance it is recommended to store the parasol in a cool dry, well-ventilated place such as a garage or shed over winter or during periods of unseasonal weather. Ensure that the parasol is clean and completely dry before putting into storage. Do not enclose the product in a plastic or other non-permeable material as this promotes rust and mould. Cover it with a dust sheet or furniture cover allowing the air to circulate around it. We recommend that you clean your parasol at the beginning and end of the season. To clean the parasol remove all dirt using mild soap and water. Never use abrasive chemicals or cleaning agents. Rinse thoroughly and allow to dry. Bird droppings and tree sap should be cleaned off immediately.

### Safety instructions

This parasol has been designed for domestic use only. Parasol can be dangerous if incorrectly assembled, it should be carried out by a competent person. No liability will be accepted for damage or injury caused by incorrectly assembled parasols.

Parasols should not be used in high winds or during inclement weather.

This parasol must always be weighted with a suitable base, even when closed.

When not in use, the parasol canopy should be closed and covered with a parasol cover.

Never drag a parasol when moving it, always lift it.

Periodically check all fixings to ensure none have come loose and re-tighten where necessary.

Please take care when handling or moving the parasol as careless handling may cause damage or injury.

Ensure that the parasol is always on a solid and level surface at all times.

With all parasols, please exercise care when folding, unfolding, and adjusting positions to avoid any possibility of pinched or trapped fingers.

Please do not excessively tilt or sway this canopy. Please do not hang items from or swing from the canopy as this will cause tipping.

Retain these instructions for future reference.

**Your feedback is very important to us and we would love to hear your comments on your new furniture. Please visit our website to leave a review. Thank you.**

John Lewis Plc,  
SW1V 2QQ  
Johnlewis.com