

Metal Pole Garden Parasol 2M

Stock number: 82011810/82011817



WARNING – PLEASE ENSURE YOUR PARASOL IS NOT LEFT UP OVERNIGHT OR IN WINDY CONDITIONS. IT IS NOT DESIGNED TO WITHSTAND WIND AND RIBS CAN BREAK.

H215 D200cm

Thank you for purchasing the John Lewis and Partners Metal Pole Garden Parasol 2M. Please make sure you read the instructions and warnings carefully before proceeding to ensure safe and satisfactory operation of this product. At John Lewis and Partners, we are committed to making great products, from our in-house design team to our buyers, we work together to bring great design to life.

Our expert Product Technologists work collaboratively with our buyers and suppliers to assure the legality, safety and quality of the product we sell.

We are all committed to designing and developing products to the highest industry standard.

We hope you are happy with your product and welcome any feedback or comments you may have.

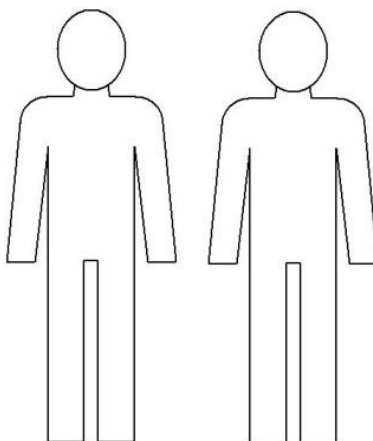
The John Lewis and Partners team.

No Tools Required

Time to assemble

5 minutes

People required to assemble



Important safety information

Warnings

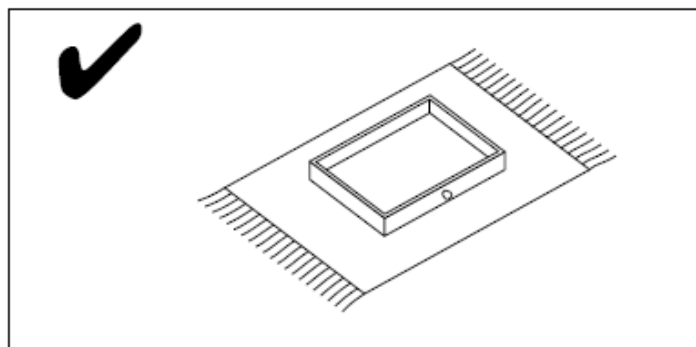
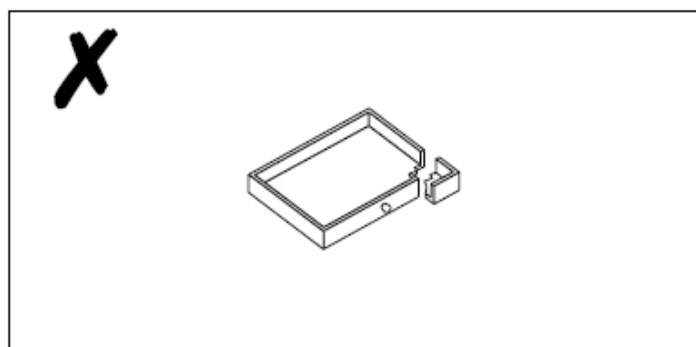
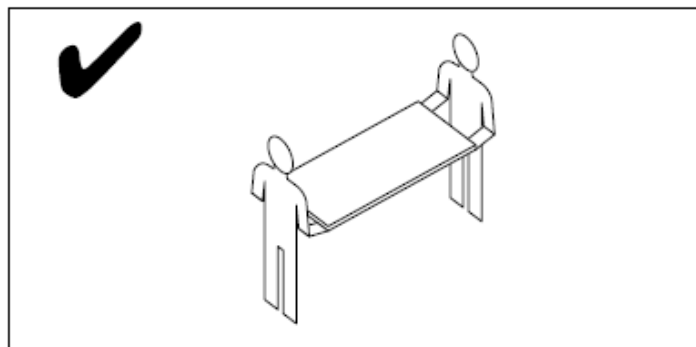
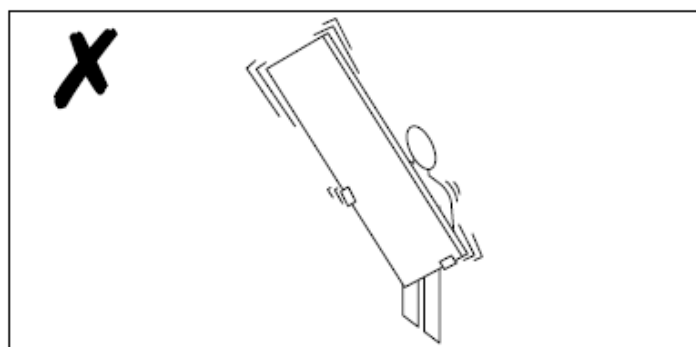
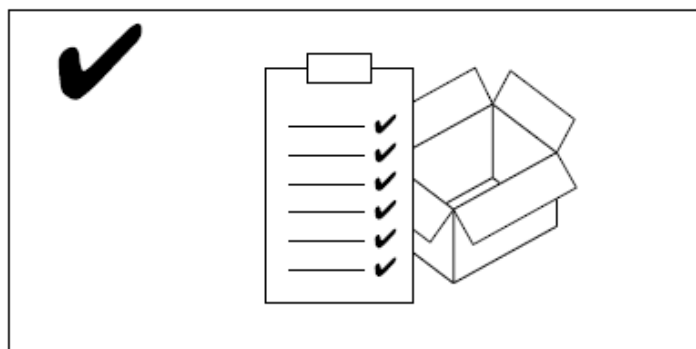
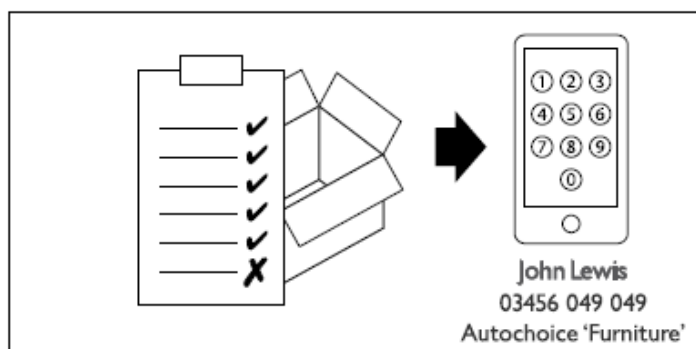
- △The product should only be used on firm, level ground.
- △Keep small parts out of reach of children.
- △Ensure the product is fully assembled as illustrated before use.
- △Parasol should not be used in high winds or during inclement weather.
- △This parasol must always be weighted with a suitable base weighing a minimum of 9 kg, even when closed.
- △When not in use close parasol canopy and use a parasol cover.
- △Store away when cold wet and windy weather conditions.

Do

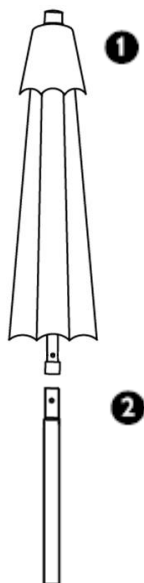
- ✓ Check the pack and make sure you have all the parts listed.

Don't

- ✗ Do not stand on the product.



Your parasol



Ref	Description	Dimensions	Qty
❶	Canopy Section	steel main pole 32mm, steel rib 6x10mmx6pcs	1
❷	Lower Pole	Pole size 32mm	1

Internal dimensions

Stock number: 82011810/82011817

Parasol overall size:H215 D200cm

Fixtures and fittings

None

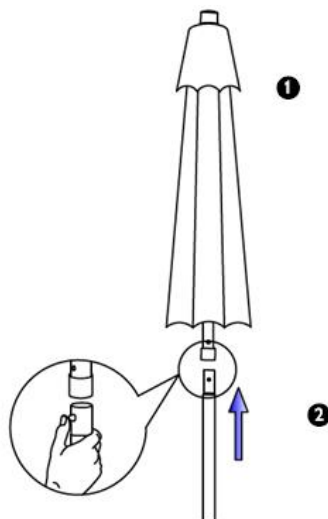
Product assembly

Metal Pole Parasol 2M
82011810/82011817

Step 1

Parts, fittings and tools

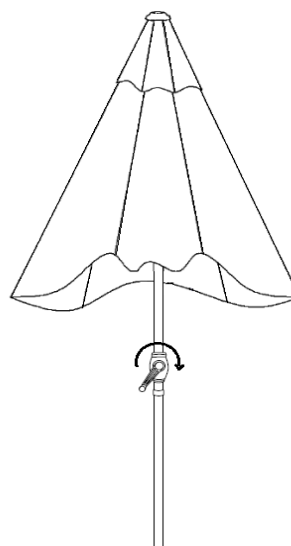
Insert the pole of the parasol canopy (1) into the lower pole (2)



Step 2

Parts, fittings and tools

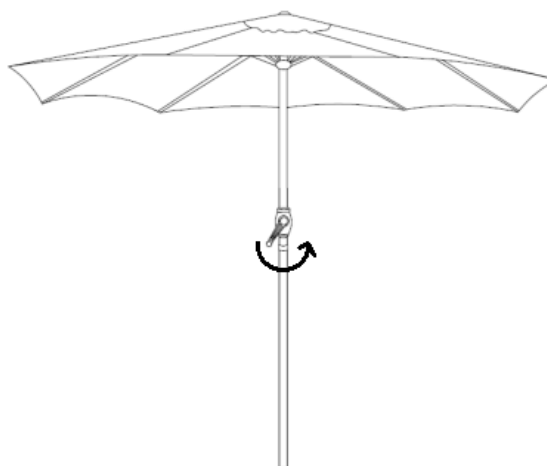
To put the parasol canopy (1) up, wind the crank handle in a clockwise direction.



Step 3

Parts, fittings and tools

To put the parasol canopy (1) down, wind the crank handle in an anti-clockwise



Care guide

Care and maintenance

This product is made from powder coated steel and polyester and is suitable for outdoor use.

To extend the product life and appearance it is recommended to store the parasol in a cool dry, well-ventilated place such as a garage or shed over winter or during periods of unseasonal weather.

Ensure that the parasol is clean and completely dry before putting into storage. Do not enclose the product in a plastic or other non-permeable material as that promotes rust and mould. Cover it with a dust sheet or furniture cover allowing the air to circulate around it.

We recommend that you clean your parasol at the beginning and end of the season. To clean the parasol, remove all dirt using mild soap and water. Never use abrasive chemicals or cleaning agents. Rinse thoroughly and allow to dry. Bird droppings and tree sap should be cleaned off immediately.

Safety instructions

This parasol has been designed for domestic use only.

Parasol can be dangerous if incorrectly assembled, it should be carried out by a competent person. No liability will be accepted for damage or injury caused by incorrectly assembled parasols.

Parasols should not be used in high winds or during inclement weather.

This parasol must always be weighted with a suitable base, even when closed.

When not in use, the parasol canopy should be closed and cover with parasol cover.

Never drag a parasol when moving it, always lift it.

Please take care when handling or moving the parasol as careless handling may cause damage or injury.

Ensure that the parasol is always on a solid and level surface.

With all parasols, please exercise care when folding, unfolding, and adjusting positions to avoid any possibility of pinched or trapped fingers.

Please do not excessively tilt or sway this canopy.

Please do not hang items from or swing from the canopy as this will cause tipping.

Retain these instructions for future reference.

Your feedback is very important to us and we would love to hear your comments on your new furniture. Please visit our website to leave a review. Thank you.

John Lewis Plc,
SW1V 2QQ
Johnlewis.com