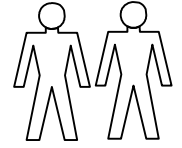


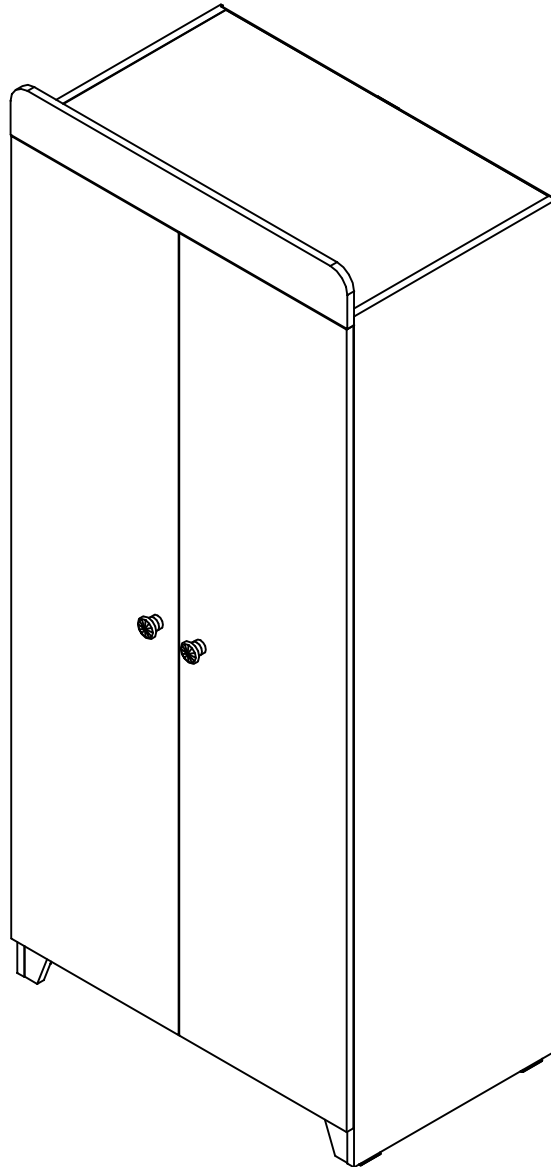
DO NOT DRAG
2 MAN LIFT

Classic White



Wardrobe

Assembly instruction



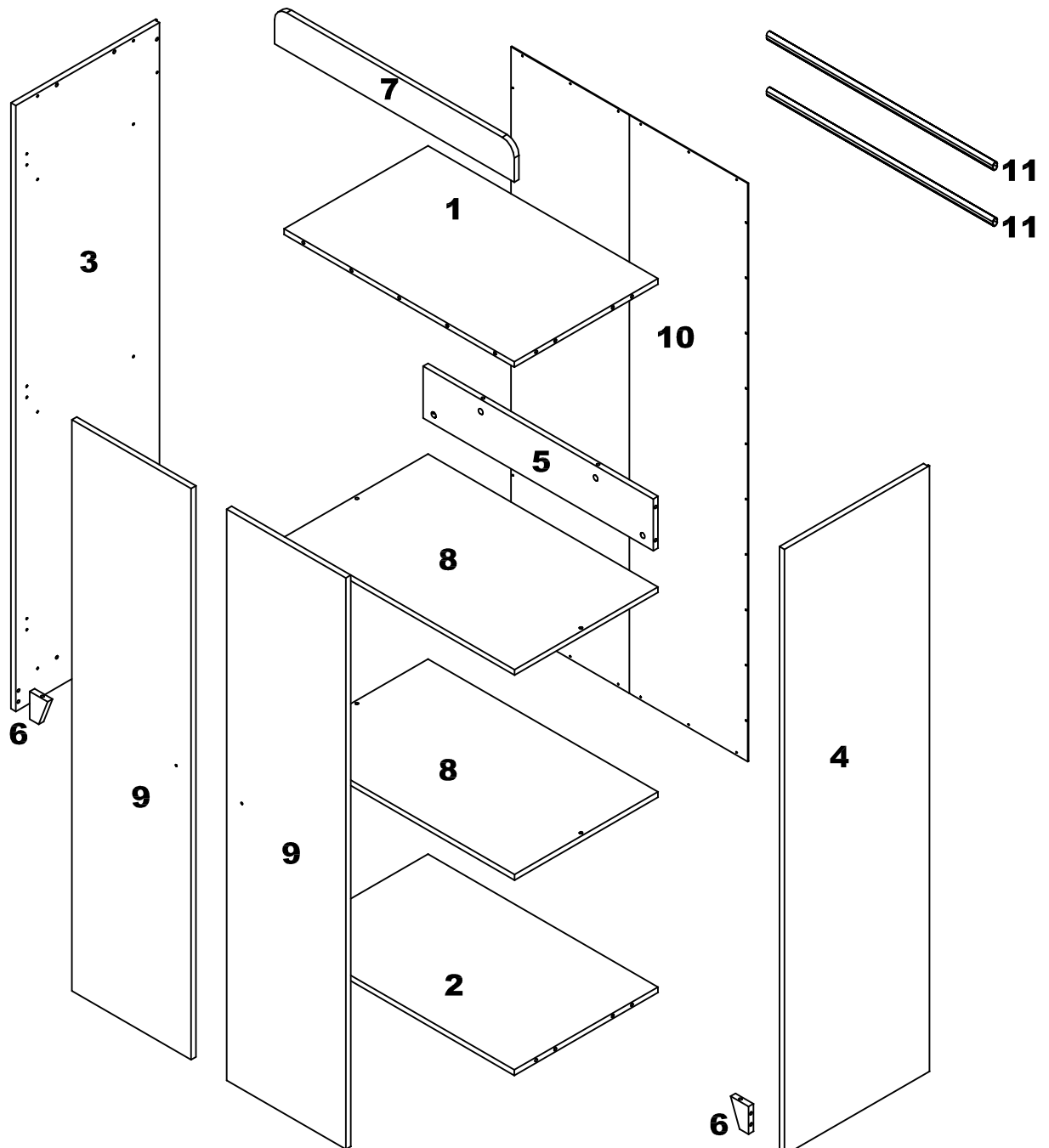
IMPORTANT: Please read these instructions carefully
and keep for future reference.


IND 4014879

BEFORE ASSEMBLY:



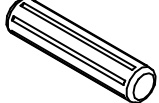
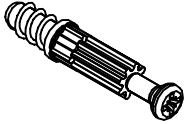
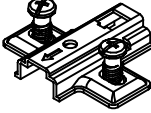
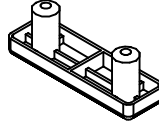



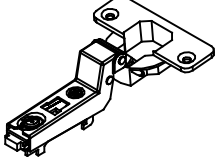


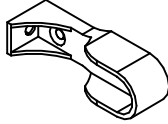
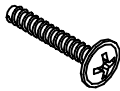
MAIN COMPONENTS

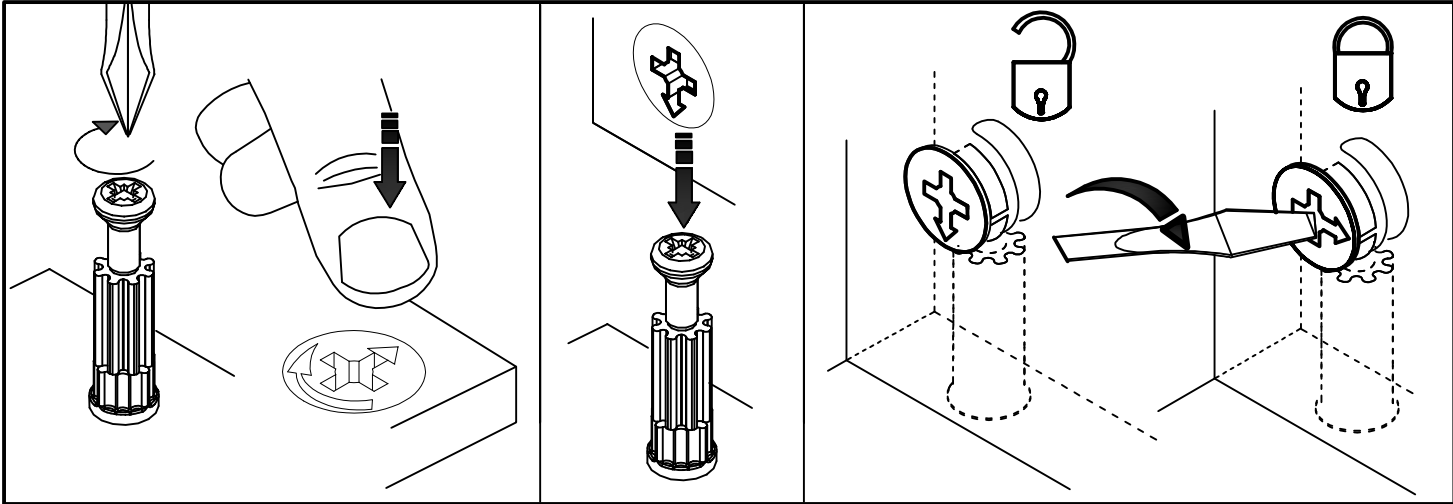
- unpack all the parts and identify them against the fittings and components list.
- do not discard any packaging until you have checked that you have all parts as shown below.
- you may find the construction of your dresser easier if you have the help of another person.
- tools required : crosshead screwdriver



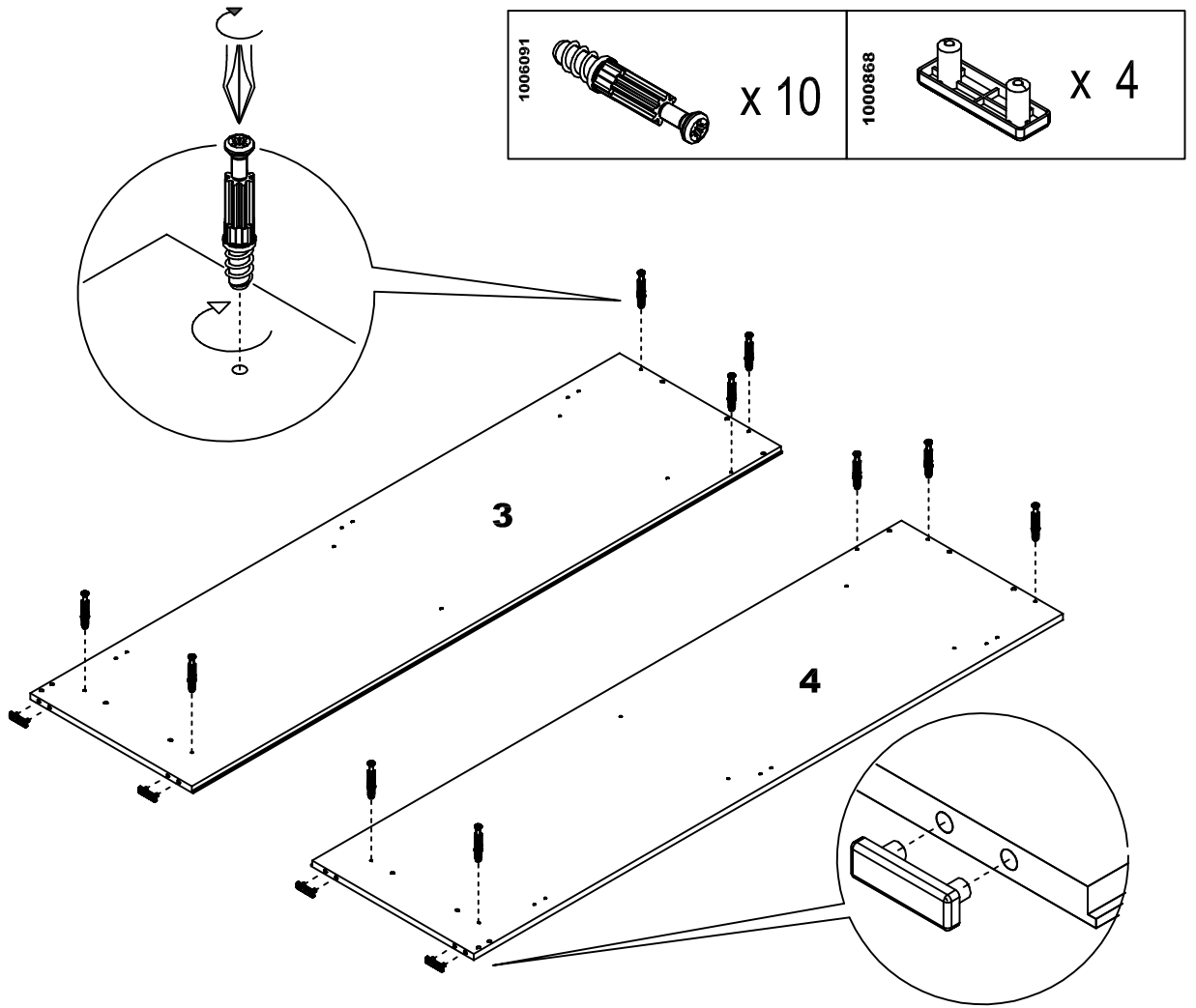
ARTIKELNUMMER ITEM NUMER ARTIKELNUMMER		IND. 4014879	AANTAL QUANTITY ANZAHL	AFTMETINGEN [mm] DIMENSIONS [mm] ABMESSUNGEN [mm]		
1	1/3	2144237	1	768	480	16
2	1/3	2144239	1	768	479,5	16
3	2/3	2144241	1	1752	484	16
4	2/3	2144243	1	1752	484	16
5	1/3	2144245	1	768	150	16
6	1/3	2144247	2	80	60	16
7	1/3	2150557	1	800	110	16
8	1/3	2144251	2	768	479	16
9	3/3	2144253	2	1652	398	16
10	3/3	2144762	1	1672	790	2,5
11	1/3	1108167	1	754	-	-

FITTINGS LIST

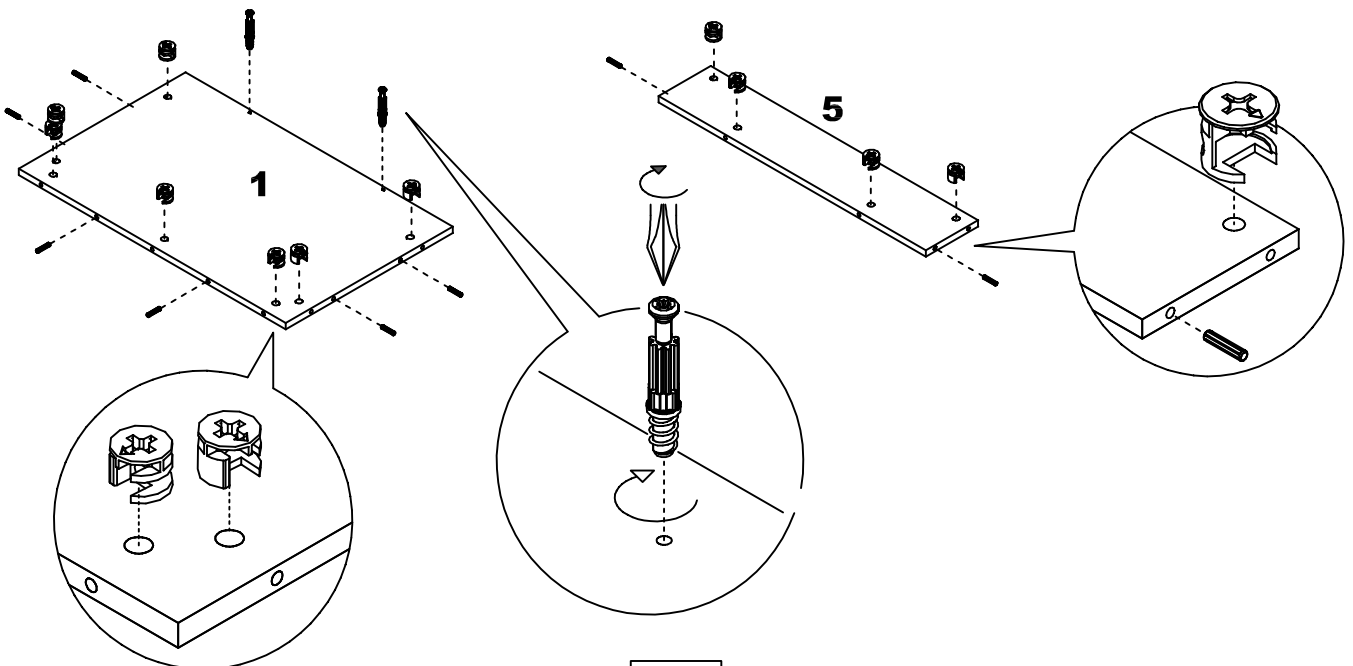
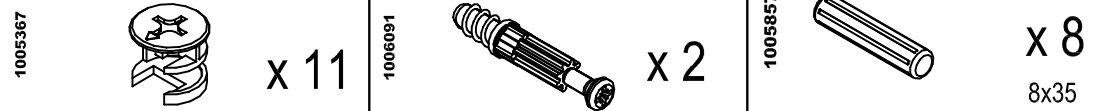
<p>1006031</p>  <p>x 2 (4x22)</p>	<p>1005367</p>  <p>x 15</p>	<p>1005857</p>  <p>x 18</p>
<p>1006091</p>  <p>x 15</p>	<p>1004785</p>  <p>x 6</p>	<p>1000868</p>  <p>x 4</p>
<p>1006012</p>  <p>x 32 (3x16)</p>	<p>1005681</p>  <p>x 12 (4x16)</p>	<p>1005865</p>  <p>x 2</p>
<p>1000197</p>  <p>x 6</p>	<p>1000893</p>  <p>x 1</p>	<p>1001262</p>  <p>x 8</p>
<p>1000225</p>  <p>x 4</p>	<p>1110778</p>  <p>x 4 (6x25)</p>	



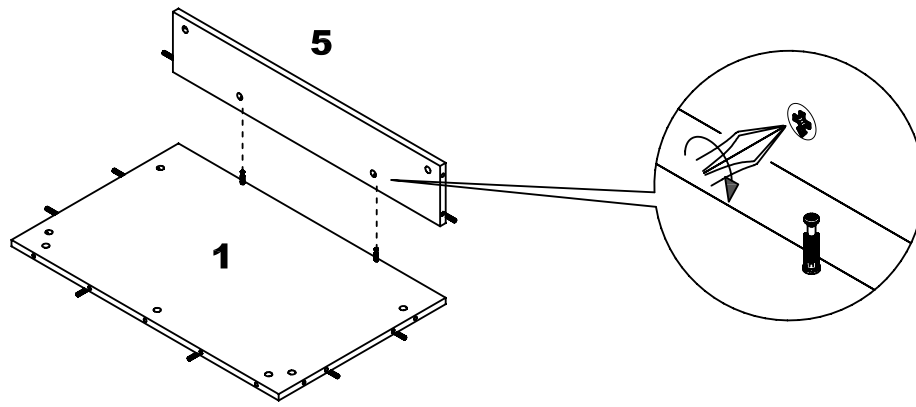
1



2

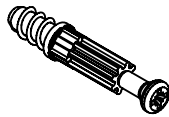


3



4

1006091



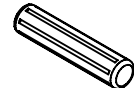
x 3

1005367



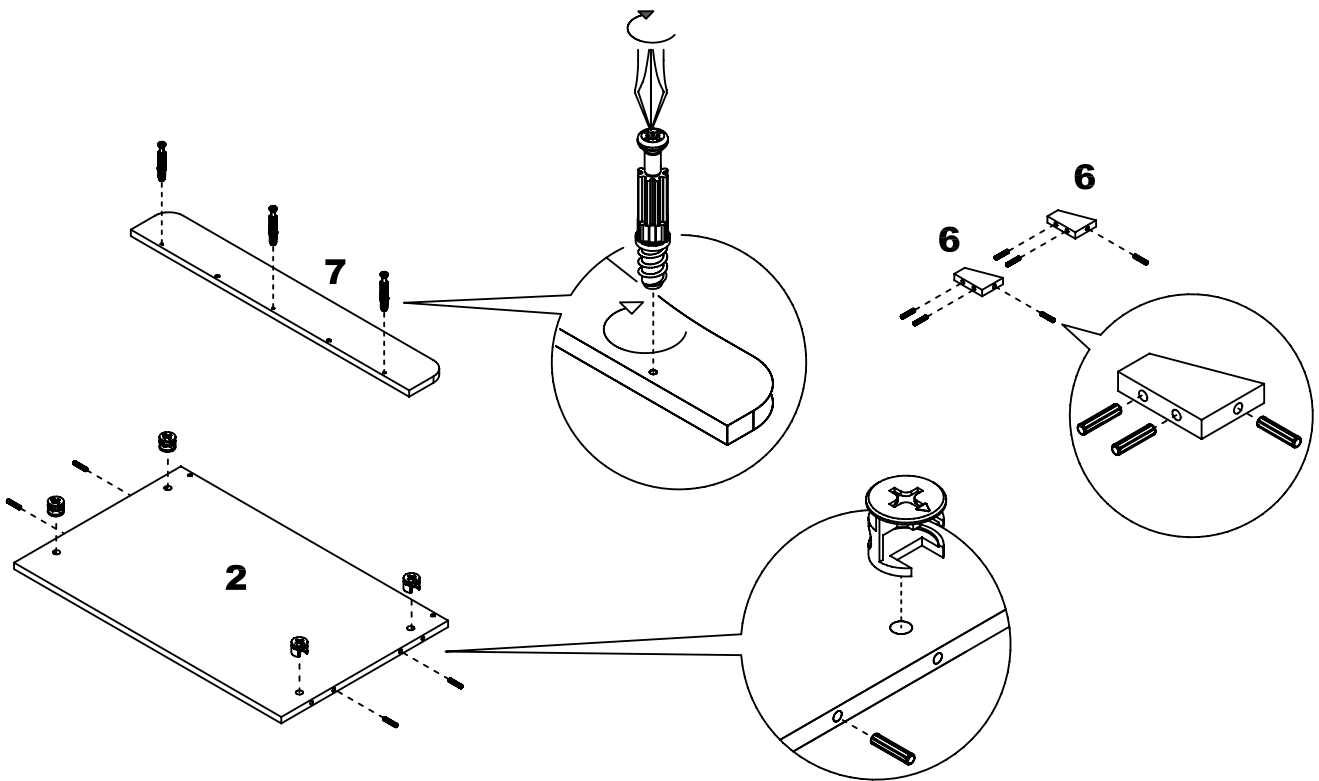
x 4

1005857

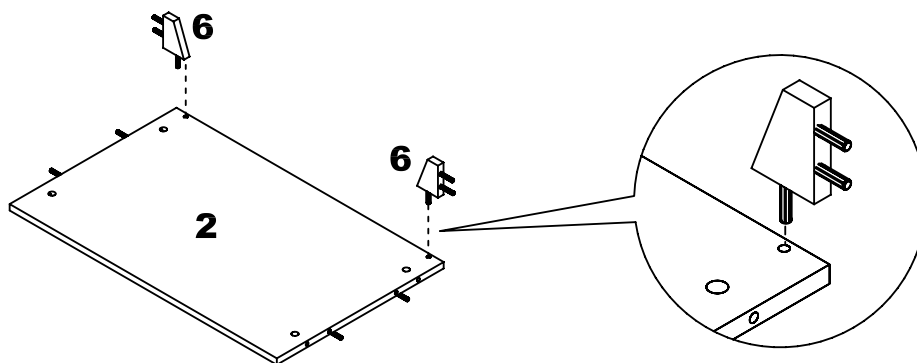


x 10

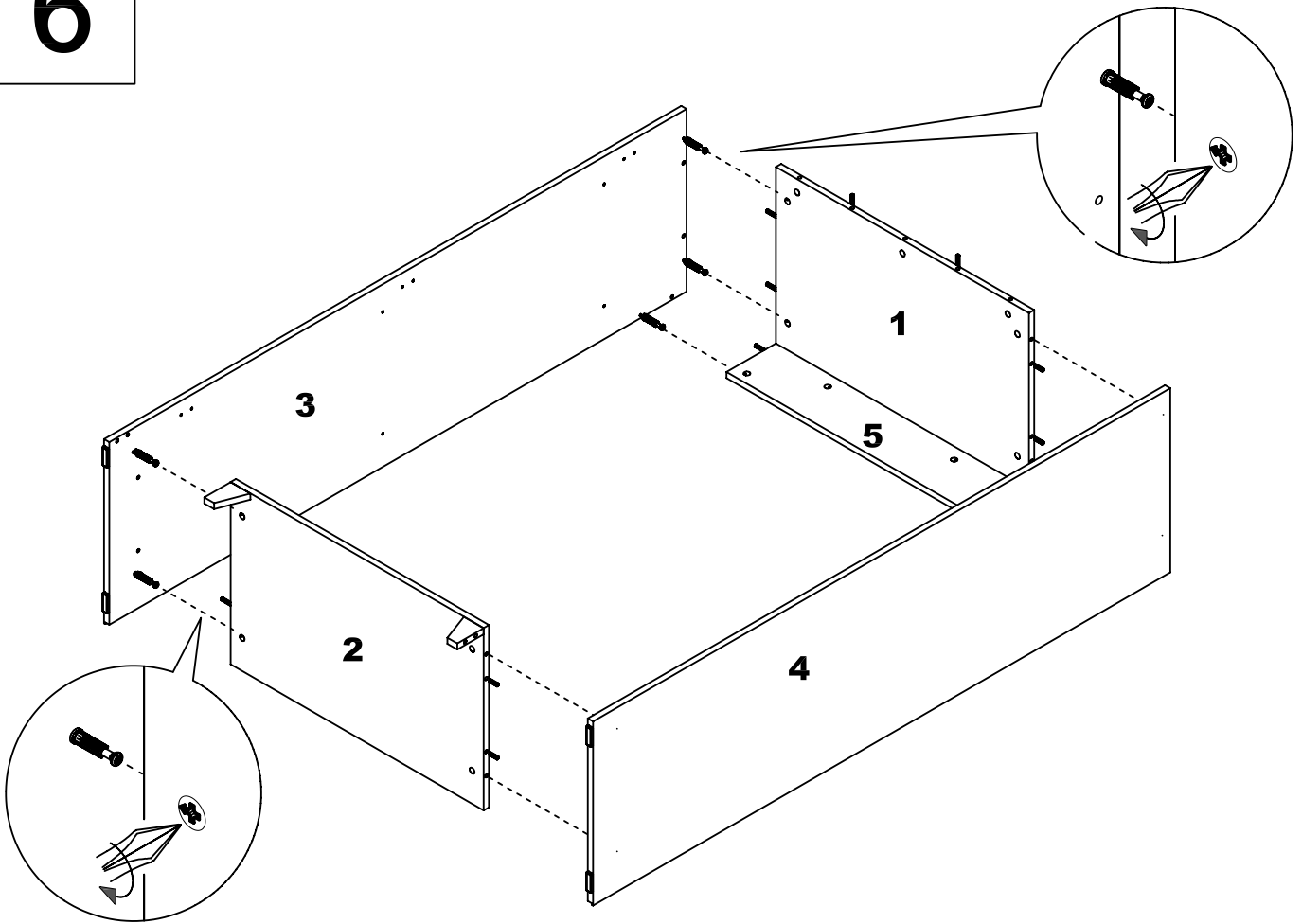
8x35



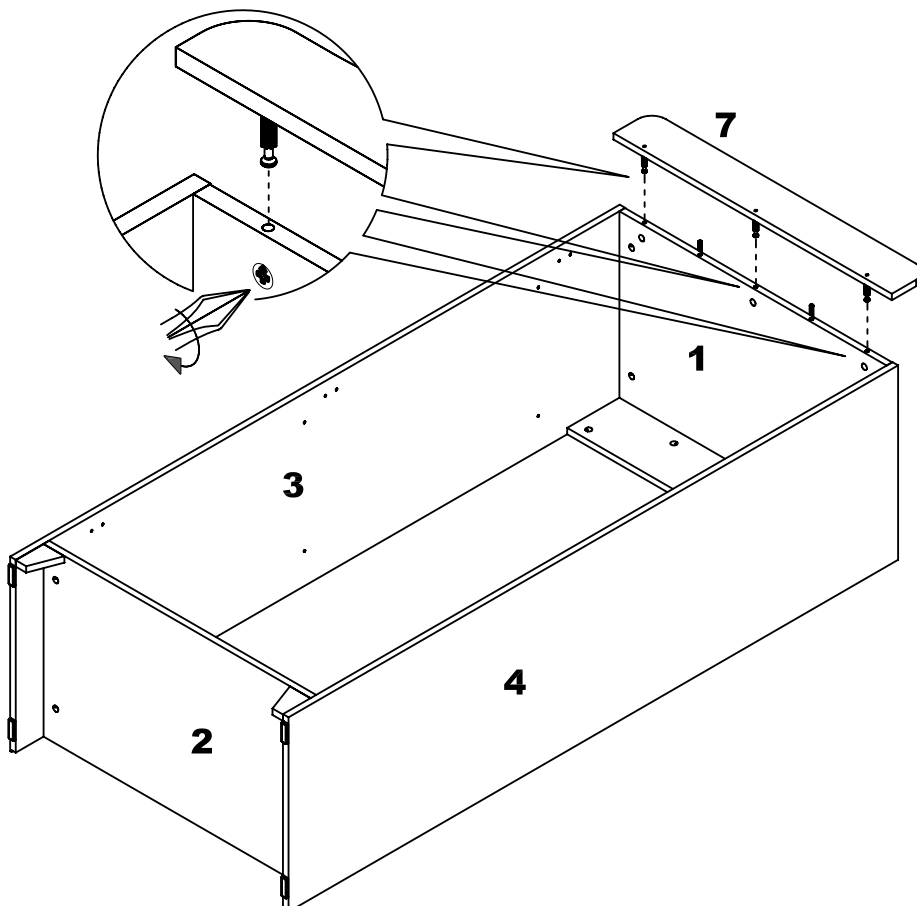
5



6



7

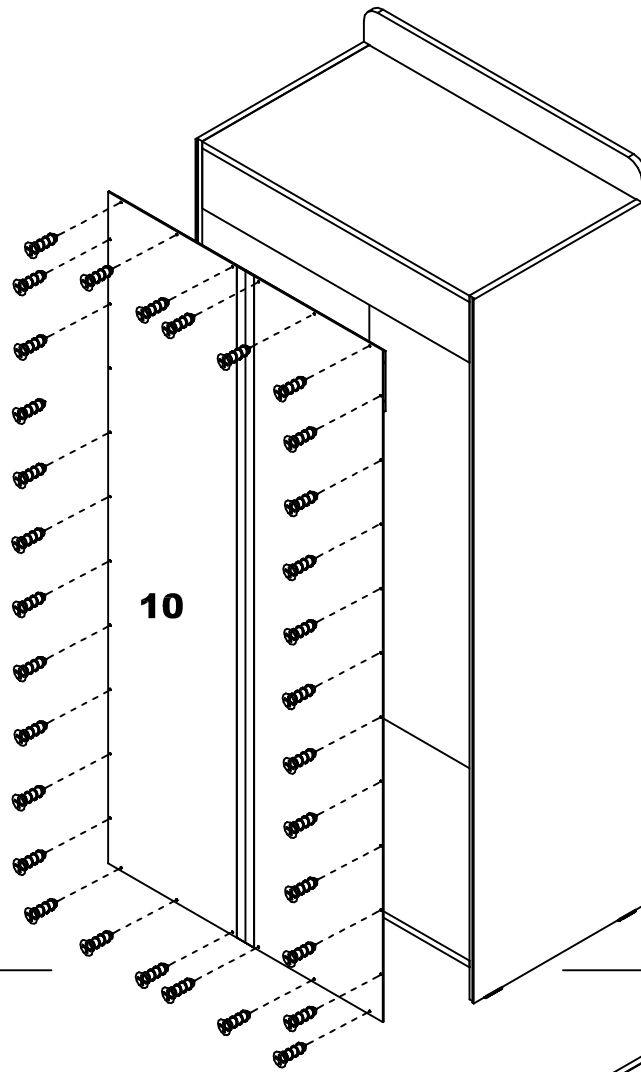


8

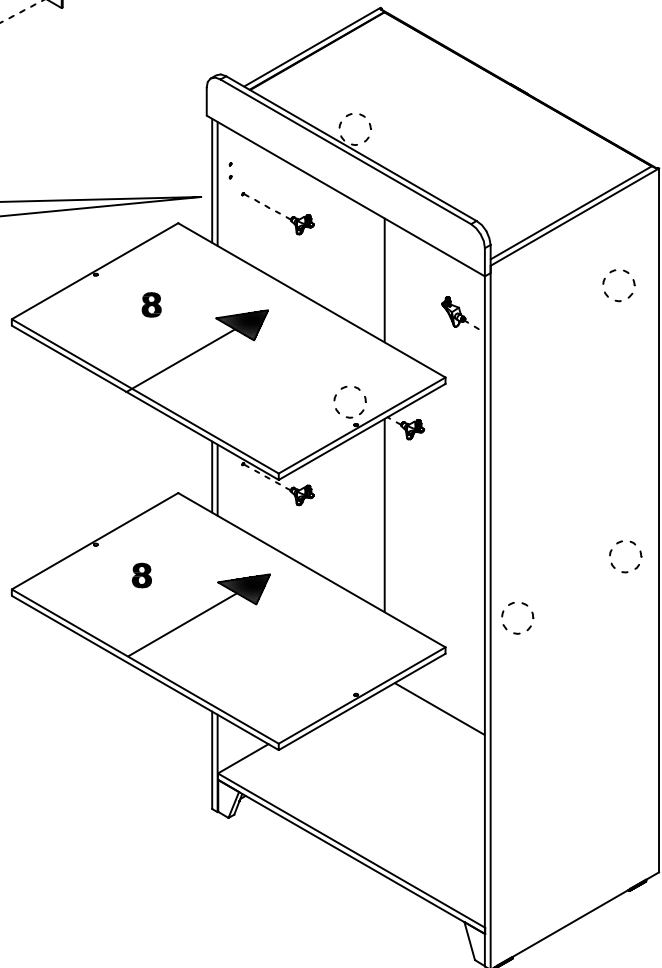
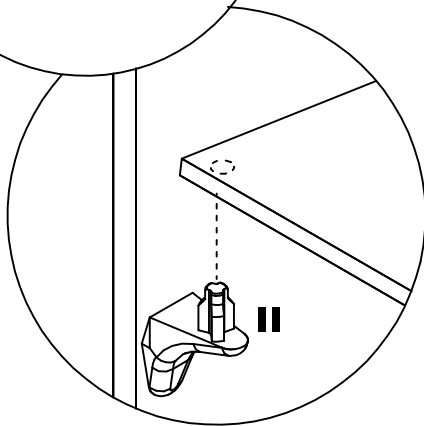
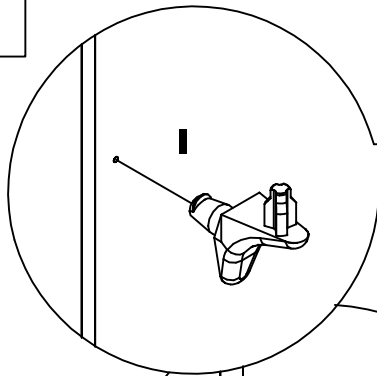
1006012



x 32
(3x16)



9

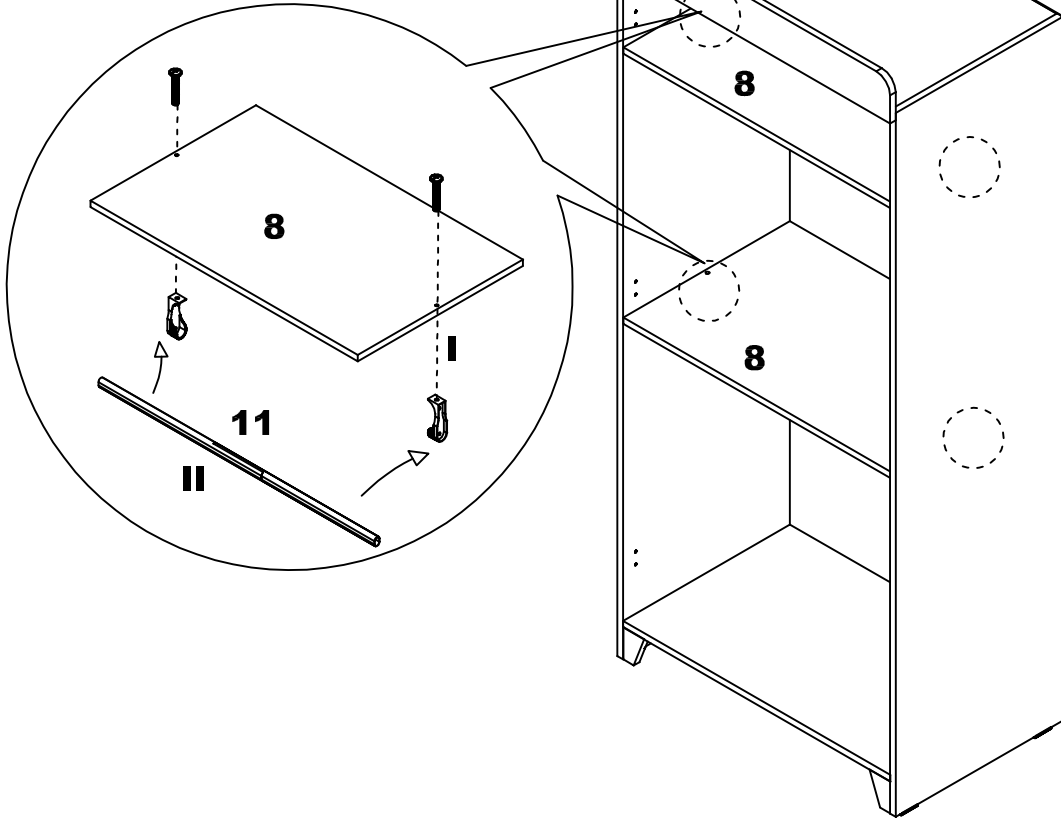


1001262

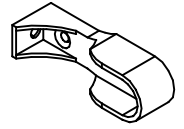


x 8

10

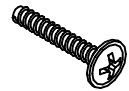


1000225



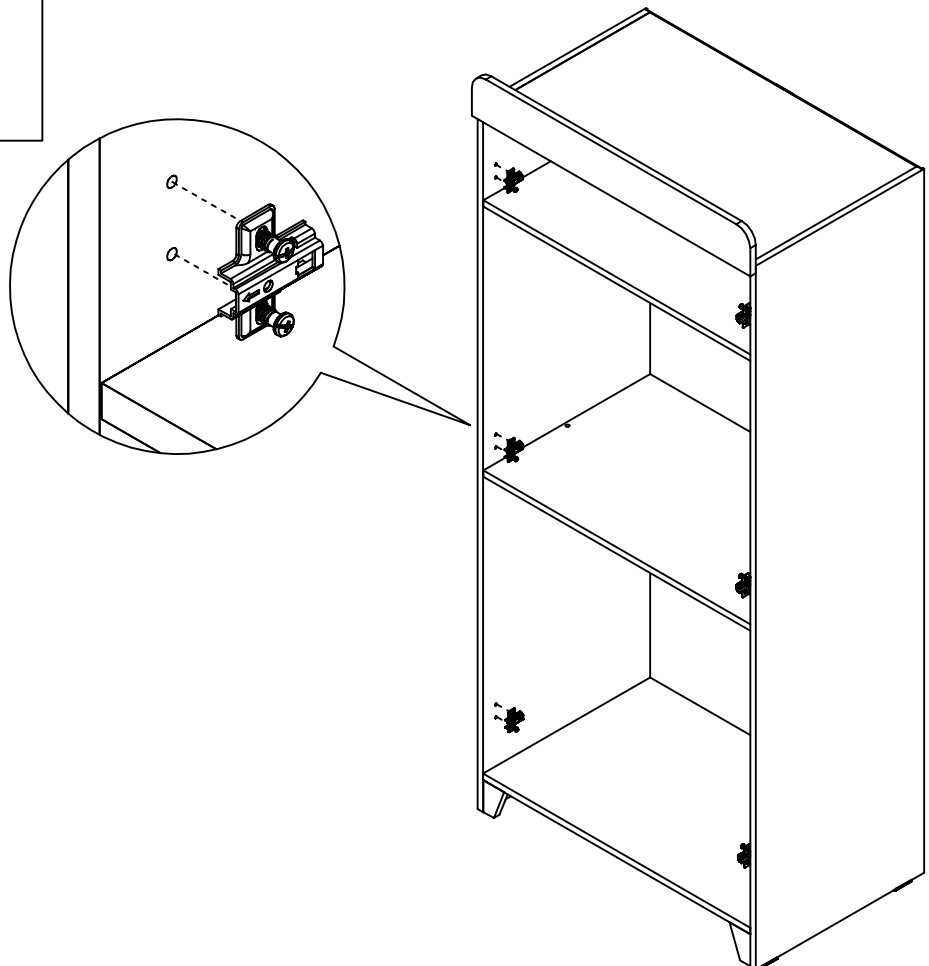
x 4

1110778

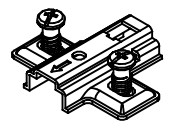


x 4

11

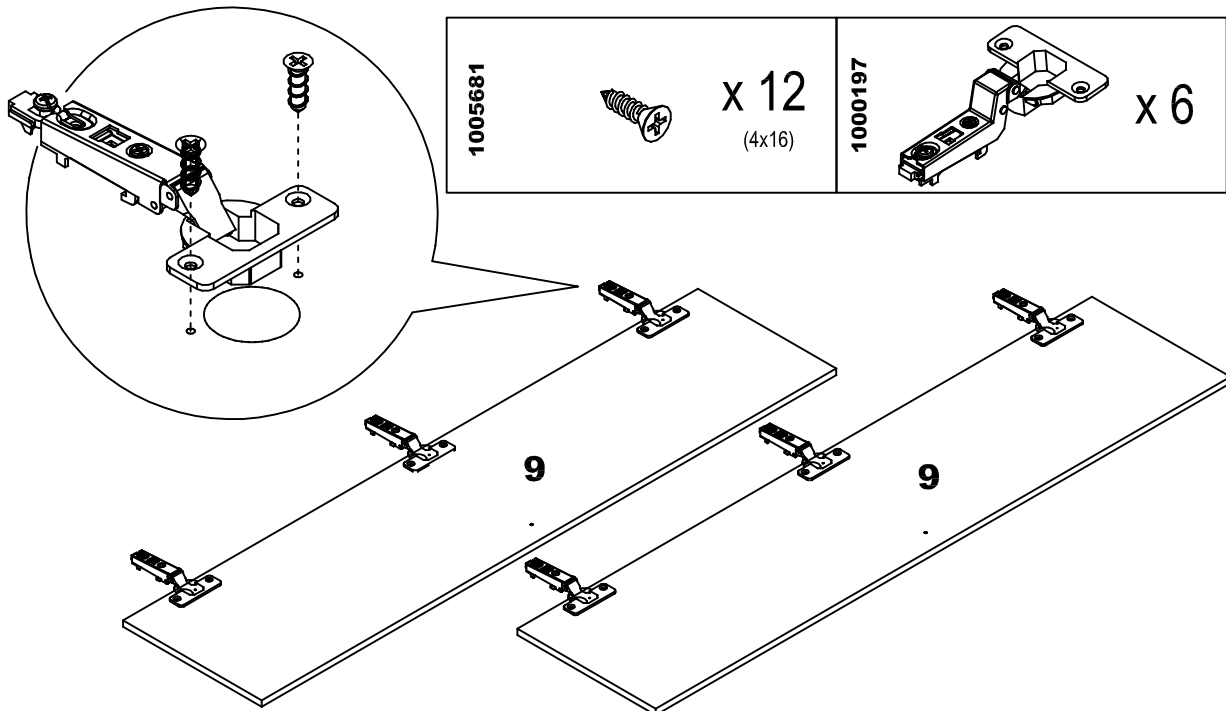


1004785

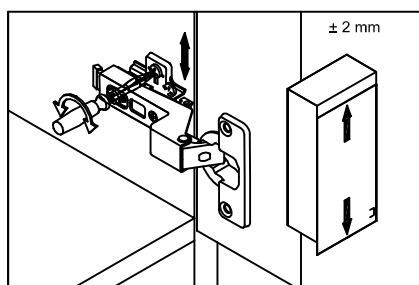
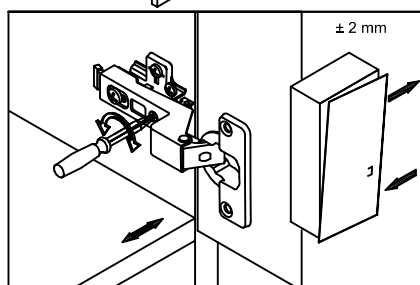
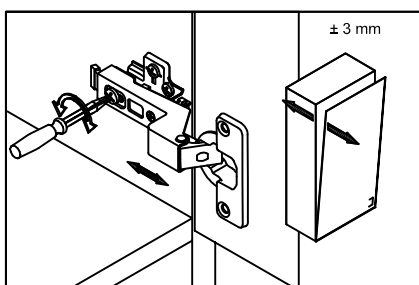
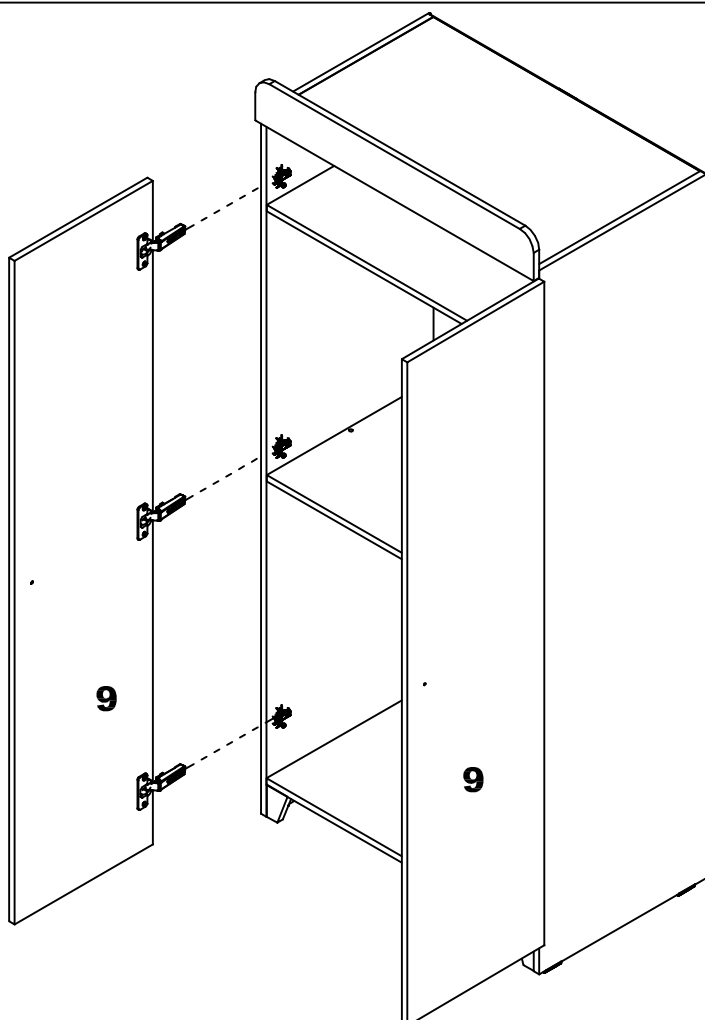


x 6

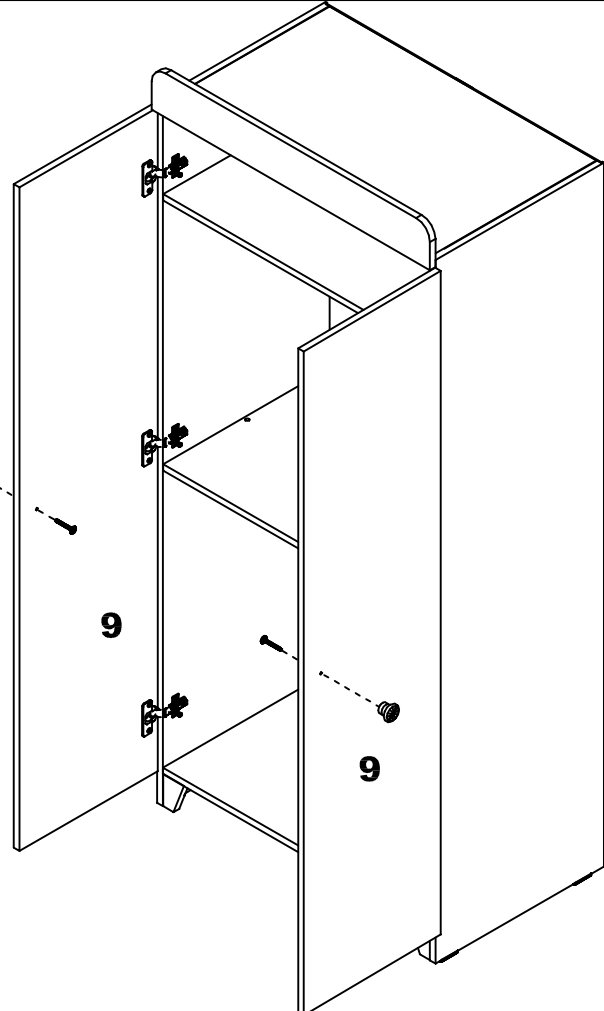
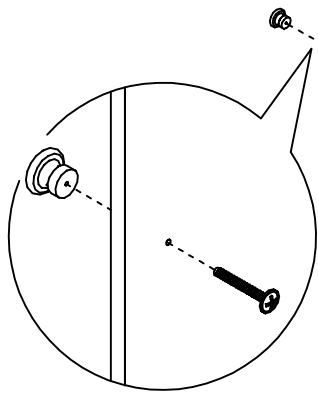
12



13



14



1005865



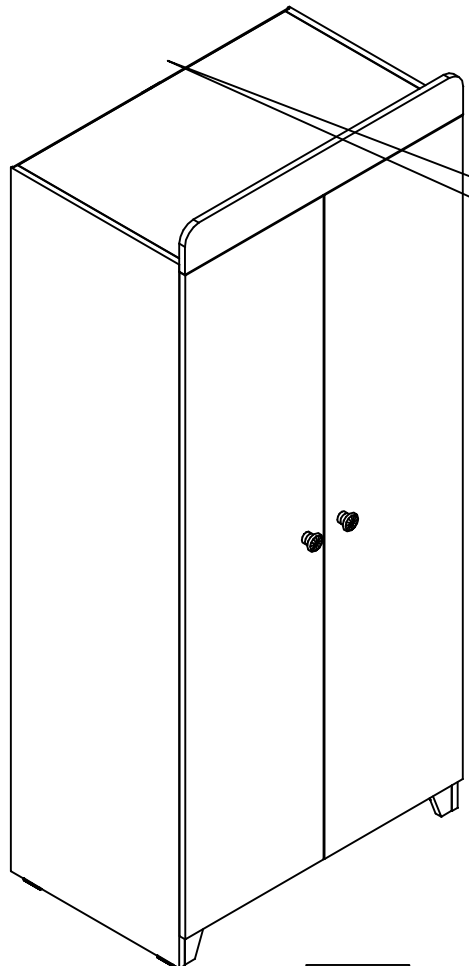
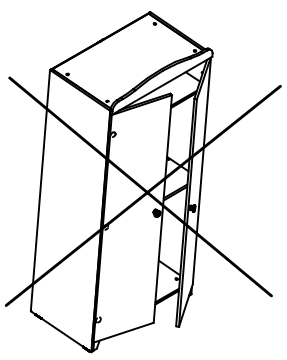
x 2

1006031



x 2
(4x22)

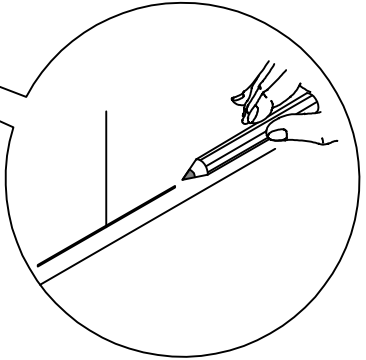
15



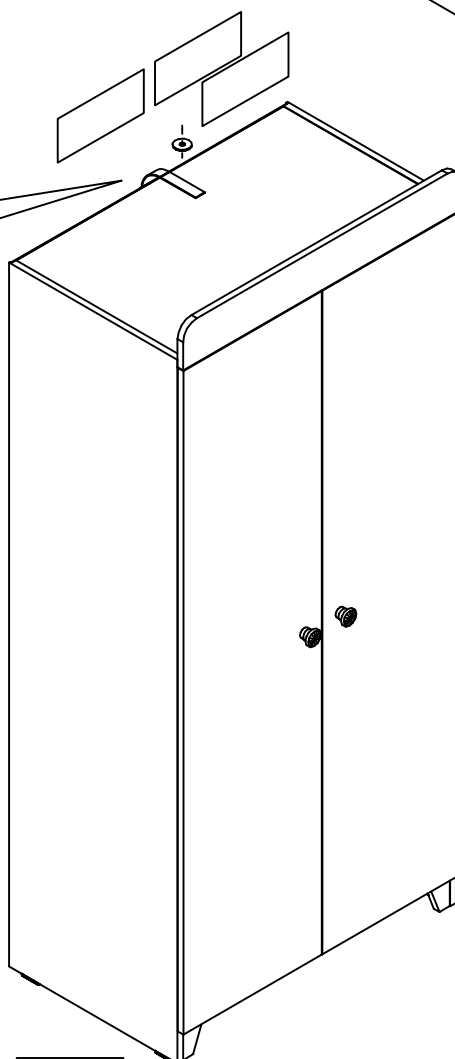
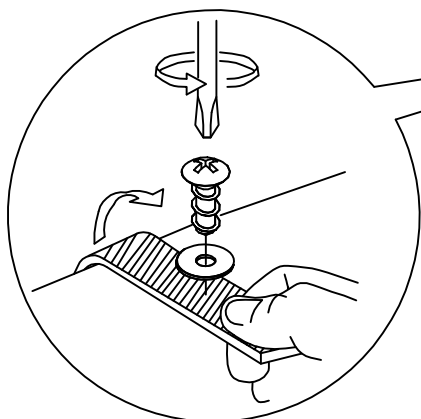
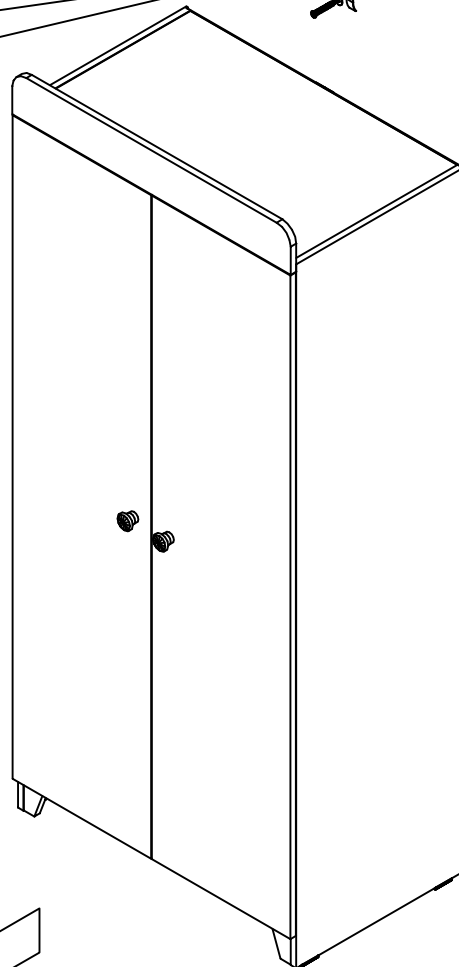
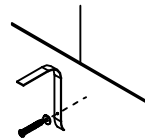
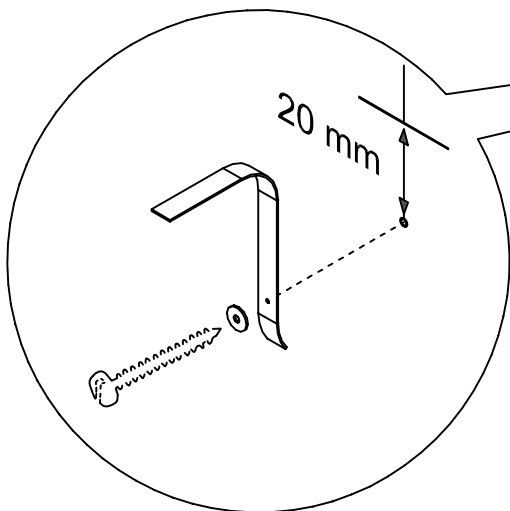
1000893



x 1



16



Safety

Always use the wall attachment strap provided.

All assembly fixings should always be tightened properly. Care should be taken that no screws are loose because a child could trap parts of their body, or clothing (e.g. strings, necklaces, ribbons, dummies, etc.) which could pose a risk of strangulation.

Be aware of the risks of open fires and other such sources of strong heat, such as electric bar fires, gas fires, etc. in the near vicinity of the wardrobe.

Do not use if any of the parts are broken, torn or missing.

Any additional or replacement parts can only be obtained from the manufacturer or the distributor.

Maintenance

Take care when handling or moving the furniture. Careless handling may cause damage.

Regularly check that all fixings are tightened and that there are no broken or damaged parts.

Cleaning

Your wardrobe can be cleaned by wiping with a damp cloth and drying with a soft clean cloth. Do not use abrasives, bleach, alcohol or ammonia based household polishes.

Little Acorns

01952460696 and address:

The Malthouse,

Sheriffhales, Shifnal.

Shropshire TF11 8RD