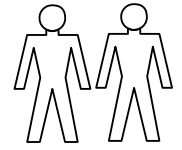


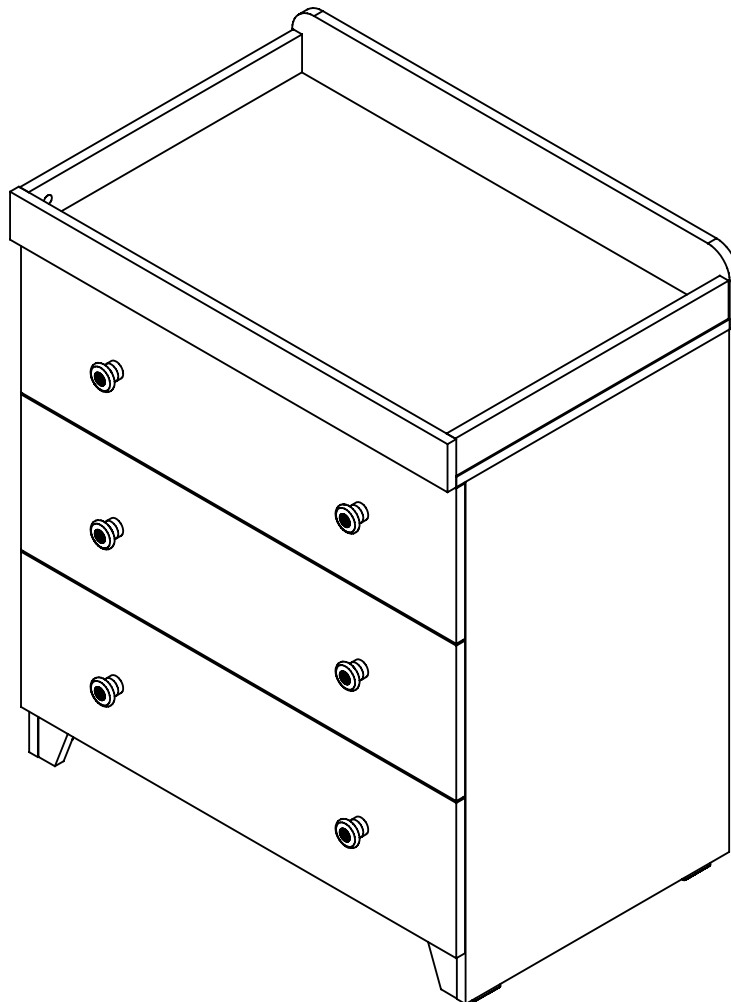
DO NOT DRAG
2 MAN LIFT

Classic White



Dresser

Assembly instruction



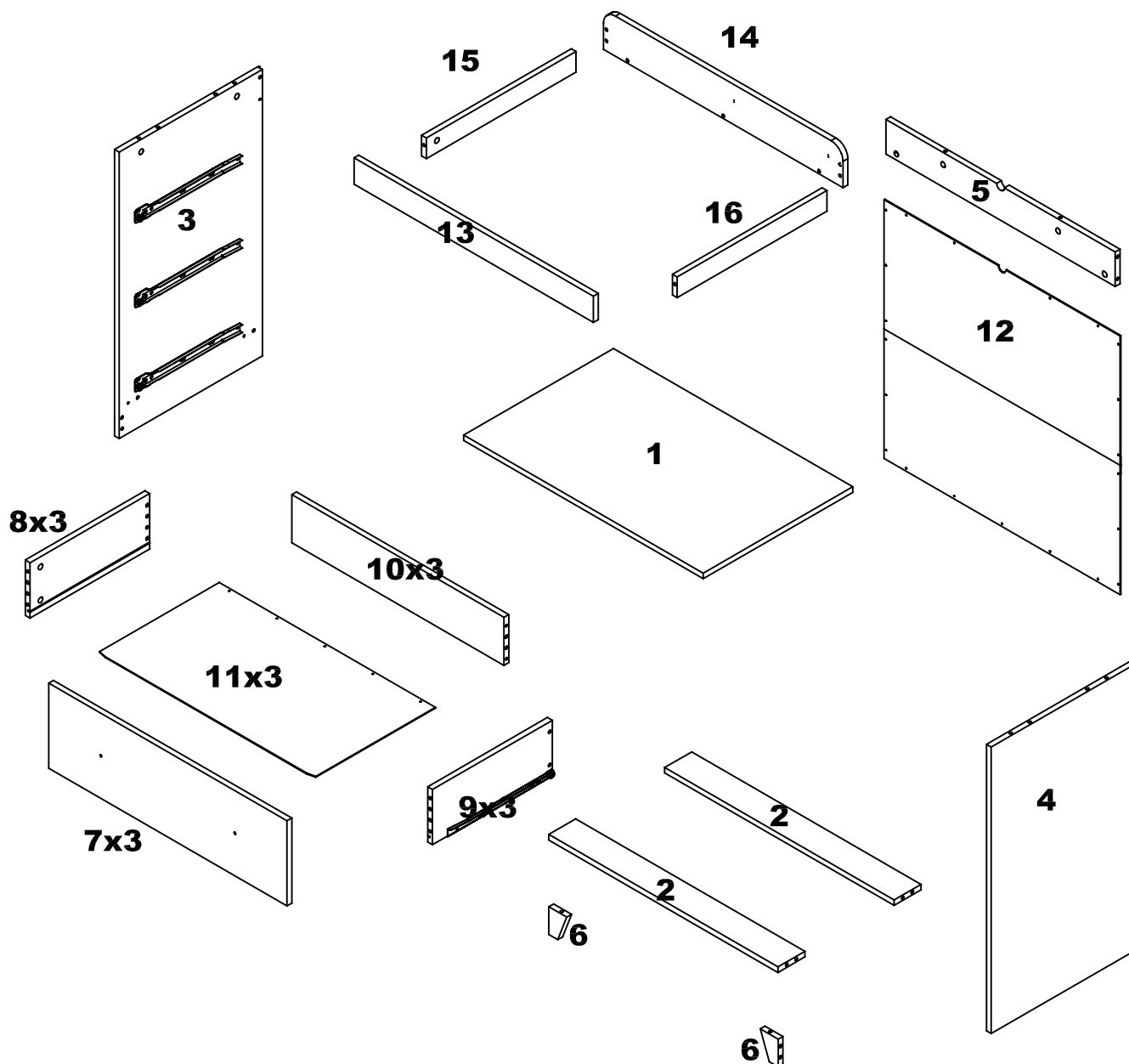
IMPORTANT: Please read these instructions carefully
and keep for future reference.


IND 4015023

BEFORE ASSEMBLY:

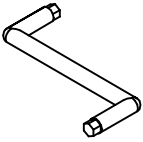

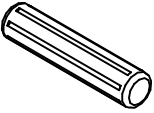
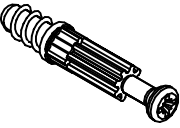

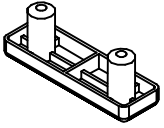


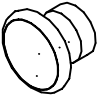
MAIN COMPONENTS

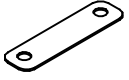

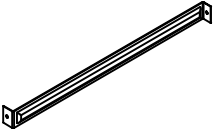

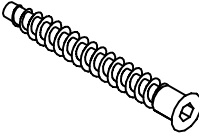
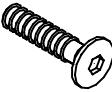
- unpack all the parts and identify them against the fittings and components list.
- do not discard any packaging until you have checked that you have all parts as shown below.
- you may find the construction of your dresser easier if you have the help of another person.
- tools required : crosshead screwdriver

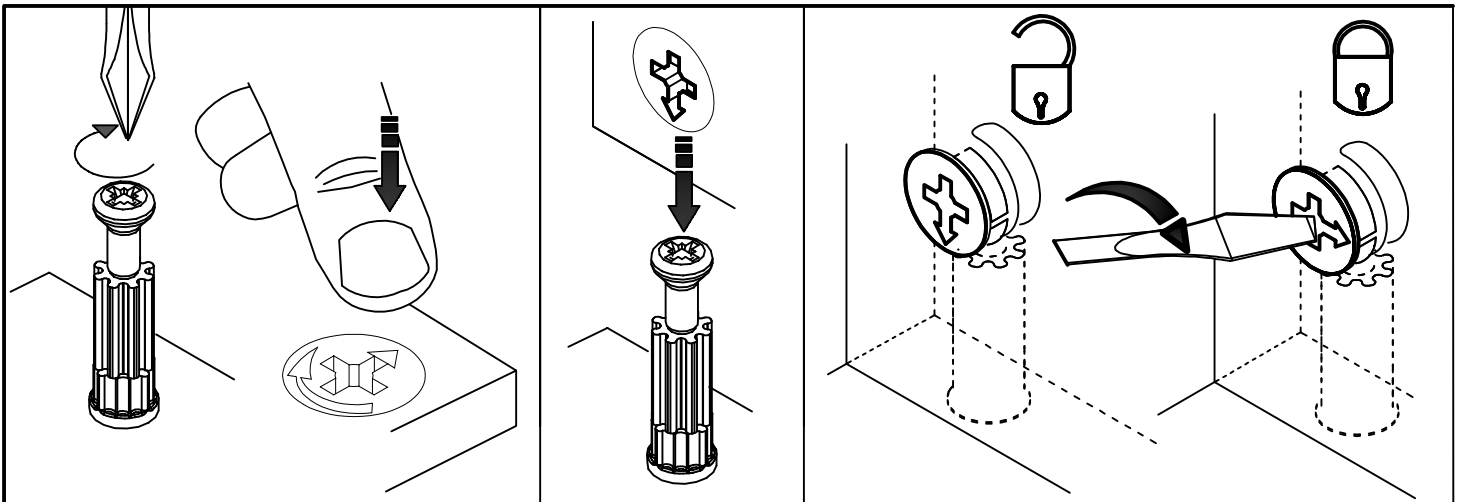


ARTIKELNUMMER ITEM NUMER ARTIKELNUMMER		IND. 4015023	AANTAL QUANTITY ANZAHL	AFTMETINGEN [mm] DIMENSIONS [mm] ABMESSUNGEN [mm]		
1	2/2	2144597	1	800	500	16
2	2/2	2144259	2	766	90	16
3	1/2	2144589	1	828	482	25
4	1/2	2144591	1	828	482	25
5	2/2	2144265	1	766	100	16
6	2/2	2144247	2	80	60	16
7	2/2	2144267	3	796	246	16
8	1/2	2144593	3	400	160	16
9	1/2	2144595	3	400	160	25
10	2/2	2144273	3	709	139	16
11	1/2	2144275	3	722	405	2,5
12	2/2	2144587	1	788	748	2,5
13	1/2	2144599	1	800	76	16
14	1/2	2150555	1	800	116	16
15	2/2	2144577	1	500	60	16
16	2/2	2144579	1	500	60	16

FITTINGS LIST

1000806	 x 1	1005367	 x 26	1005857	 x 40
1006091	 x 26	1006012	 x 36 (3x16)	1000868	 x 4
1000893	 x 1	1006031	 x 6 (4x22)	1005865	 x 6

<p>1001786</p>  <p>x 2</p>	<p>1005615</p>  <p>x 4 (4x13)</p>	<p>1002152</p>  <p>x 3</p>
<p>1005926</p>  <p>x 6 (3x13)</p>	<p>1005876</p>  <p>x 12</p>	<p>1005727</p>  <p>x 7 (6x25)</p>

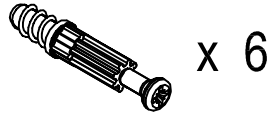


1

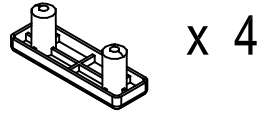
1005367



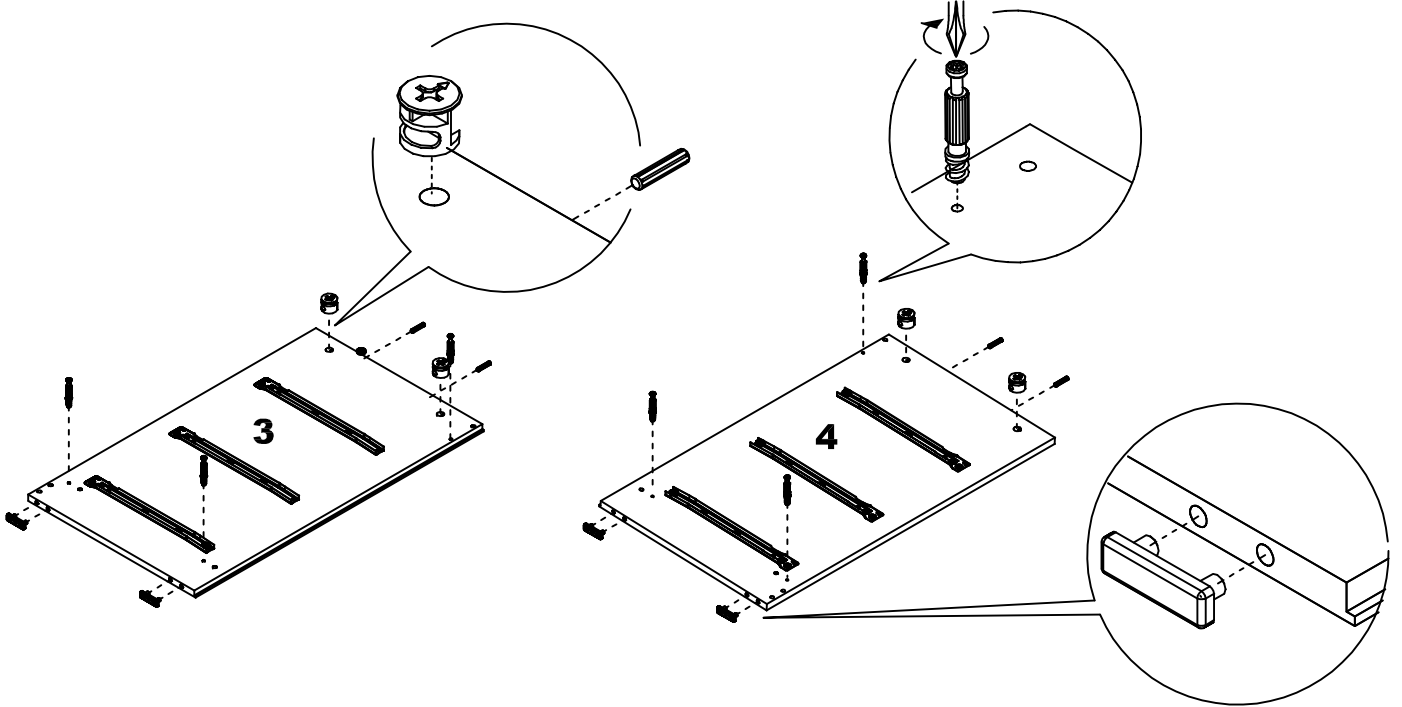
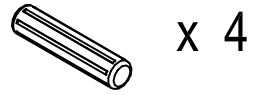
1006091



1000868



1005857

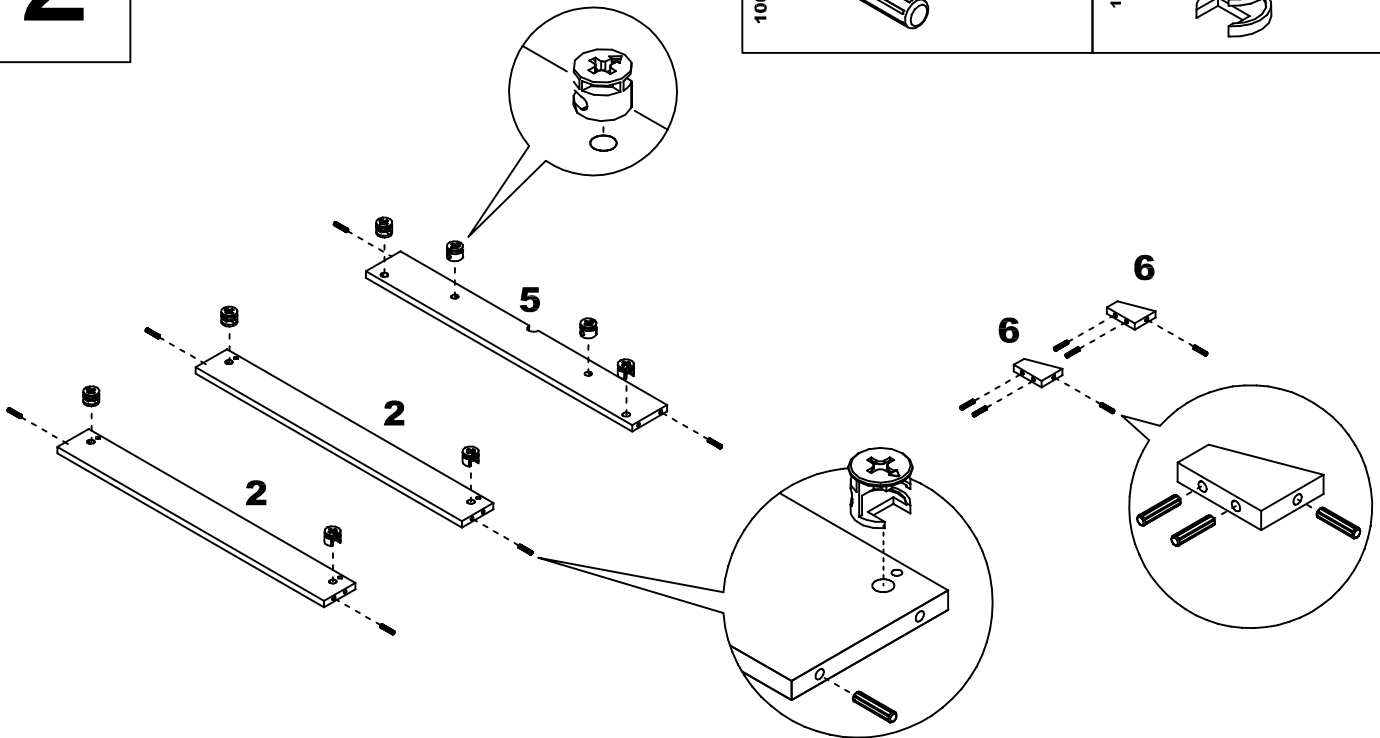


2

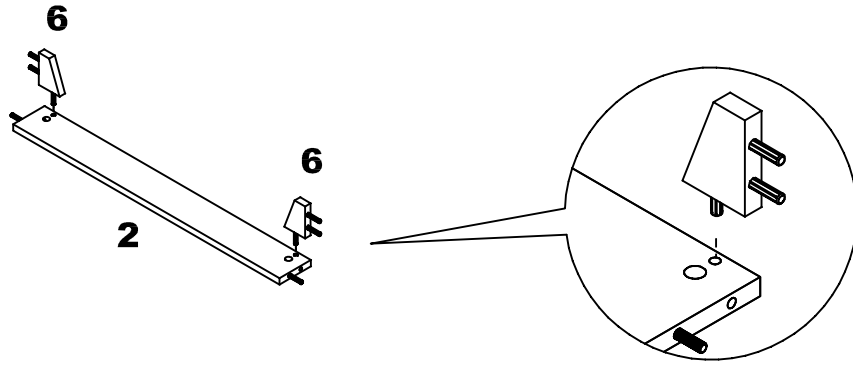
1005857



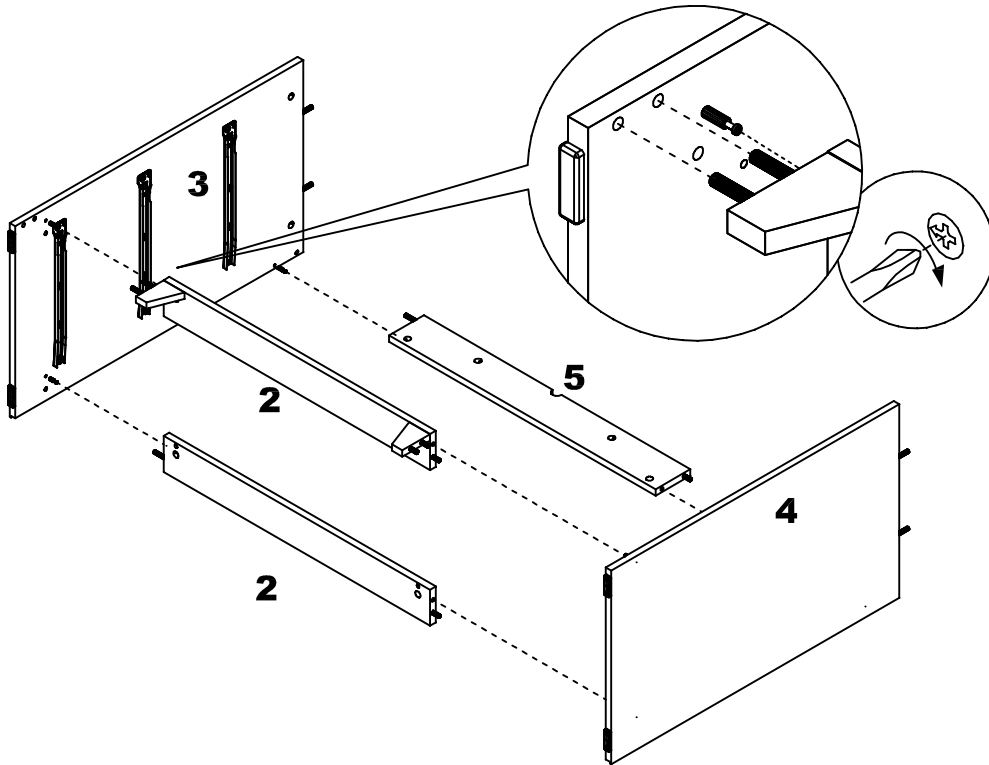
1005367



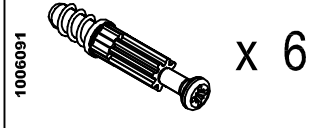
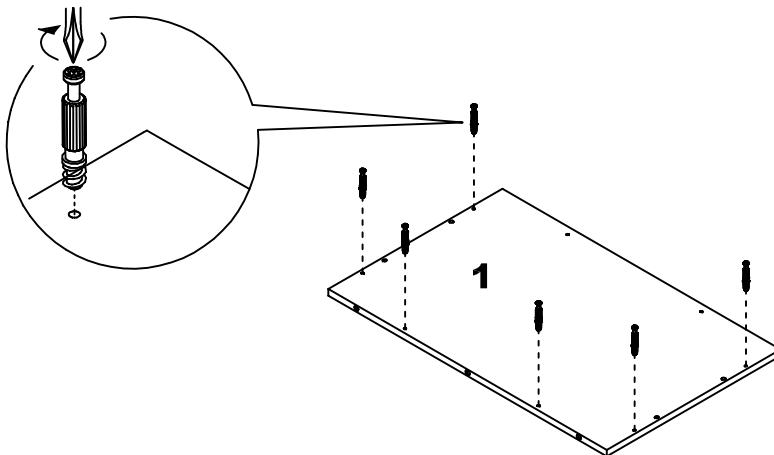
3



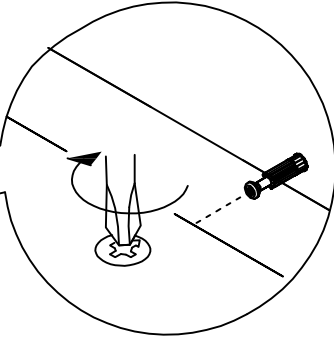
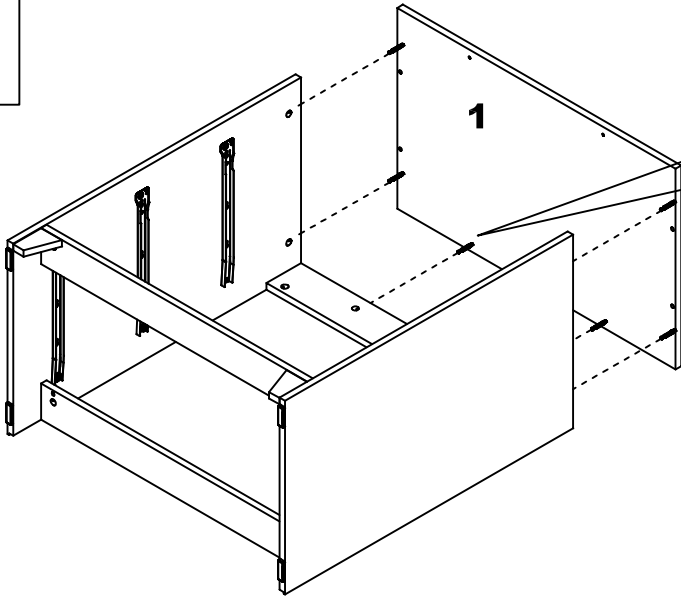
4



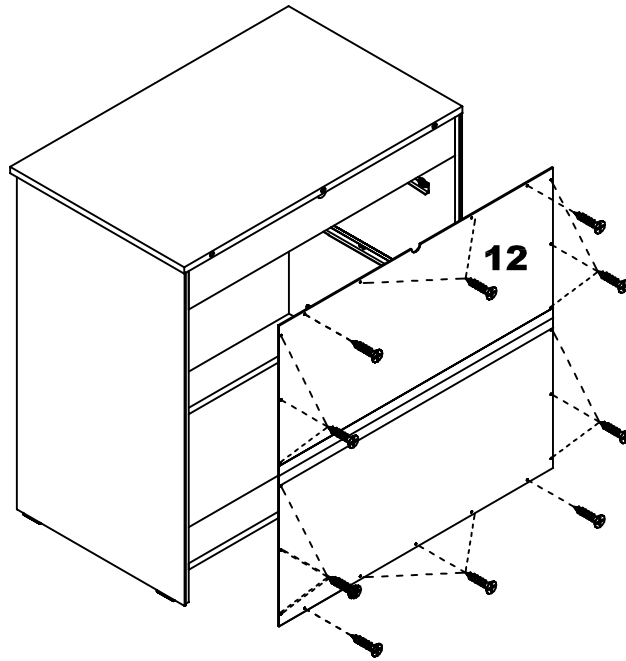
5



6



7

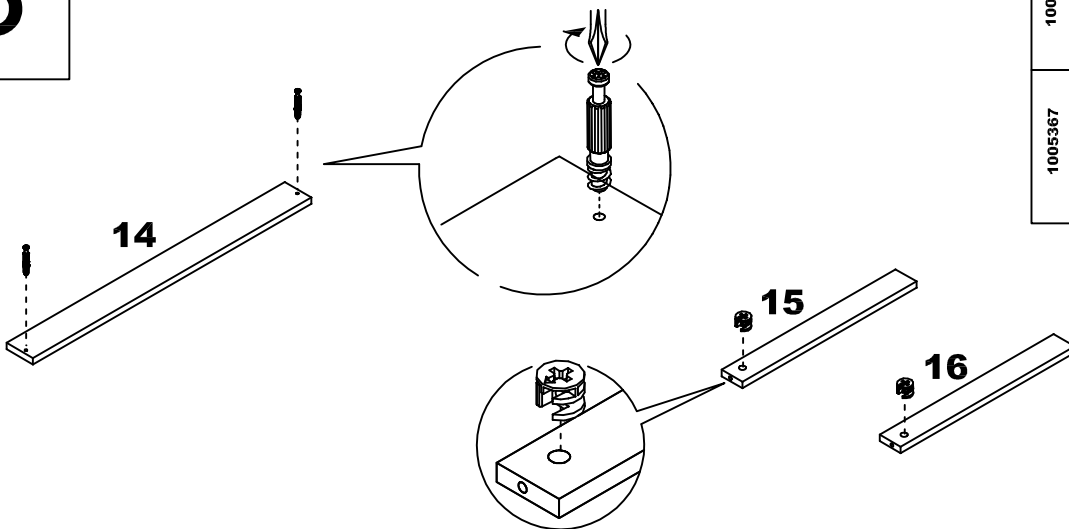


1006012

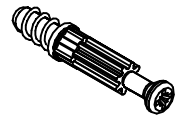


x 21
(3x16)

8



1006091



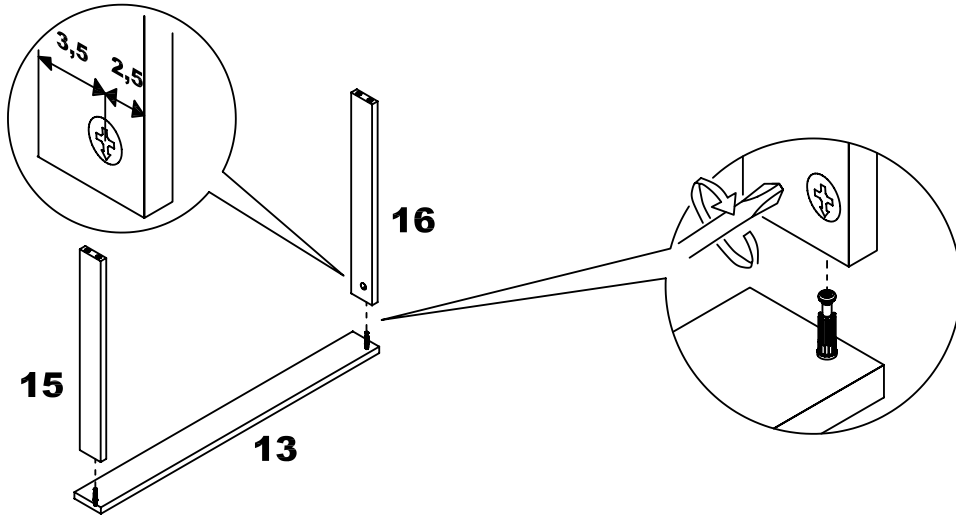
x 2

1005367

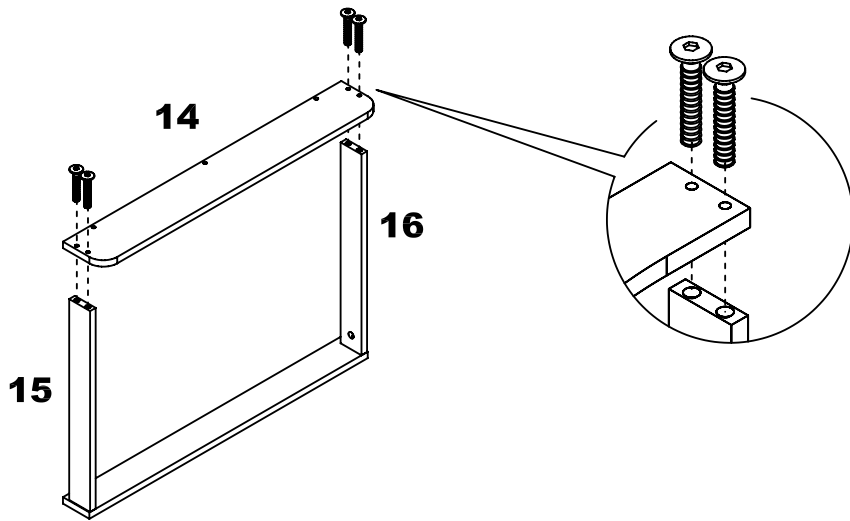


x 2

9



10

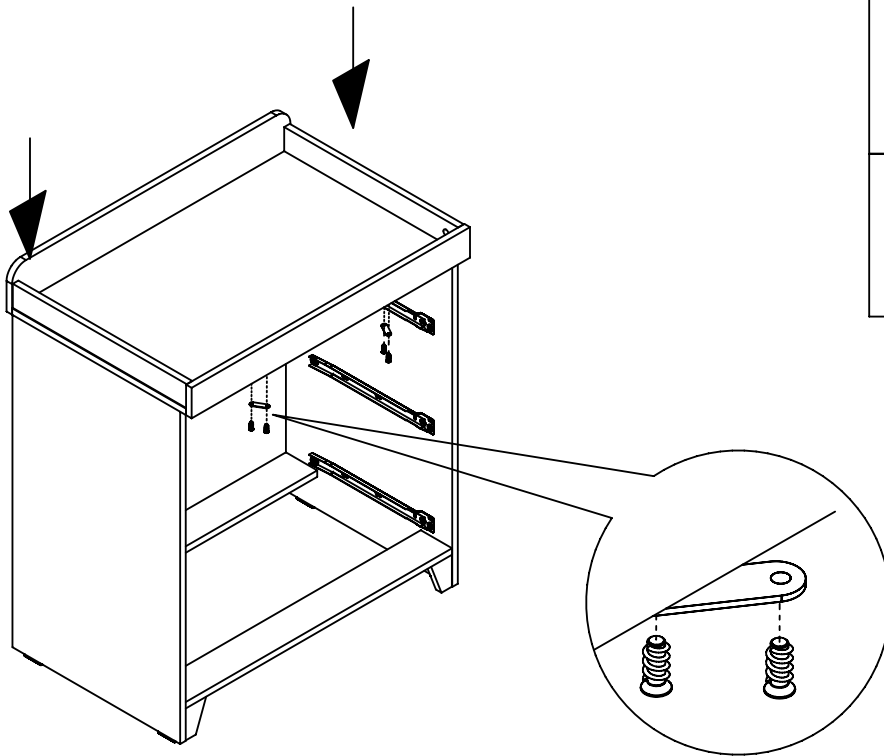


1005727

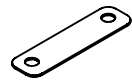


x 4
(6x25)

11



1001786



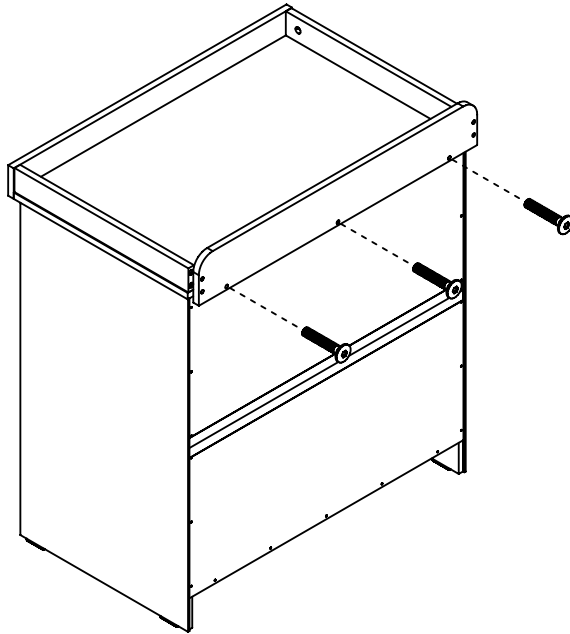
x 2

1005615



x 4
(4x13)

12

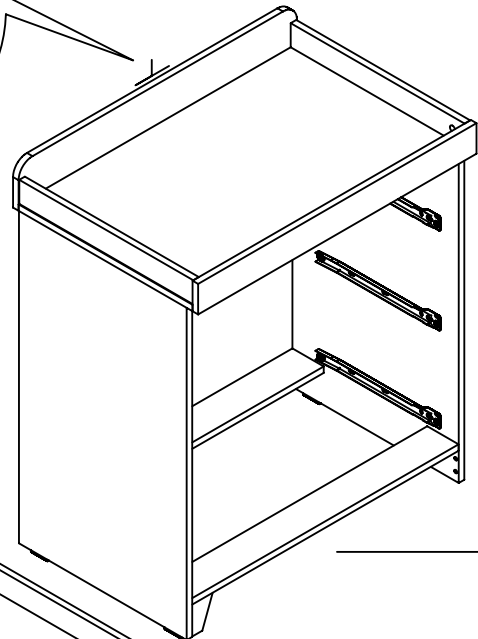
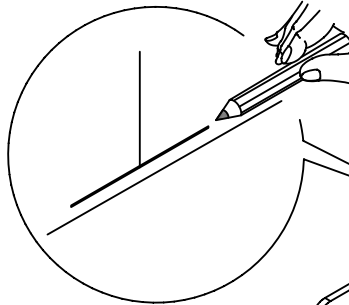
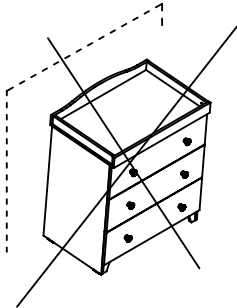


1005727



x 3
(6x25)

13

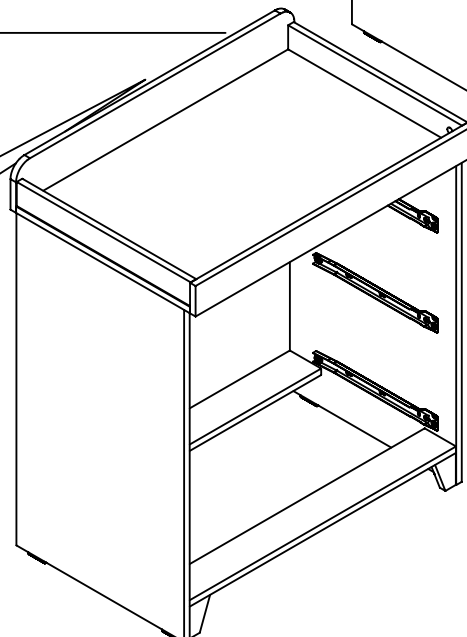
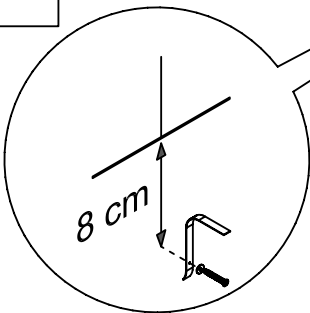


PL. UWAGA! Meble należy przymocowane do ściany, aby zapobiec ich przewróceniu podczas użytkowania. Mocowania mebli powinno być przeprowadzone zgodnie z instrukcją dołączoną do okucia.

EN. ATTENTION! Furniture shall be fixed to the wall to prevent it from falling over during the use. Fixing the furniture to the wall shall be carried out in accordance to instruction attached to the fitting

DE. ACHTUNG! Das Möbelstück ist zur Wand zu befestigen, damit es während des Gebrauchs nicht umkippt. Die Befestigung des Möbelstücks zur Wand ist gemäß der zum Beschlag beigefügten Anleitung durchzuführen

14

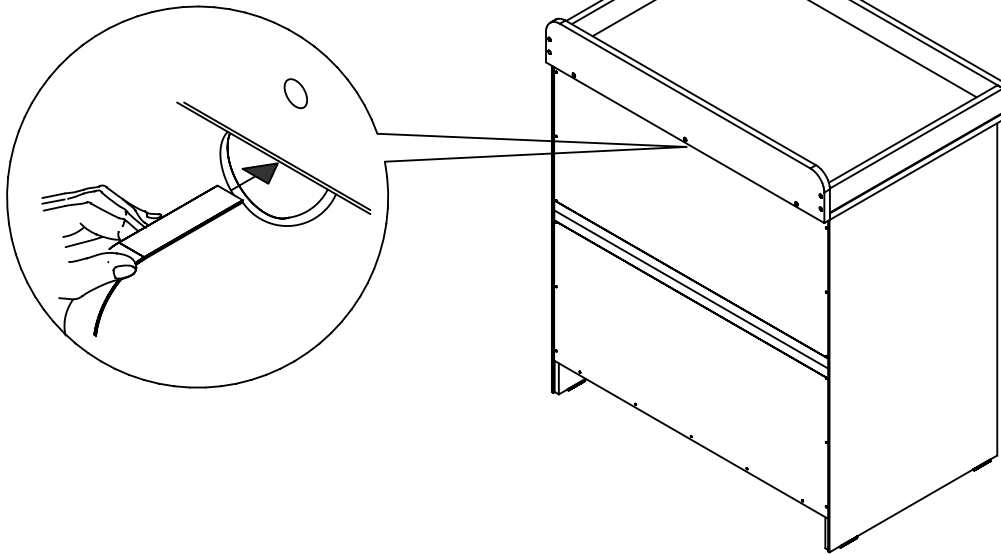


15

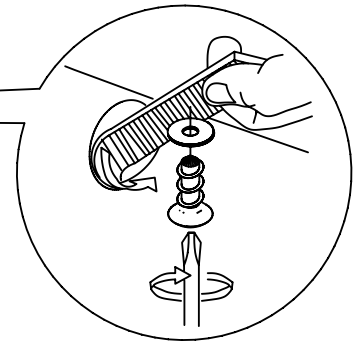
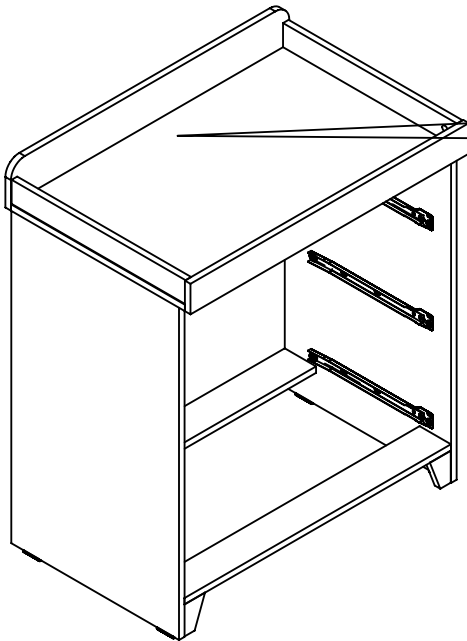
1000893



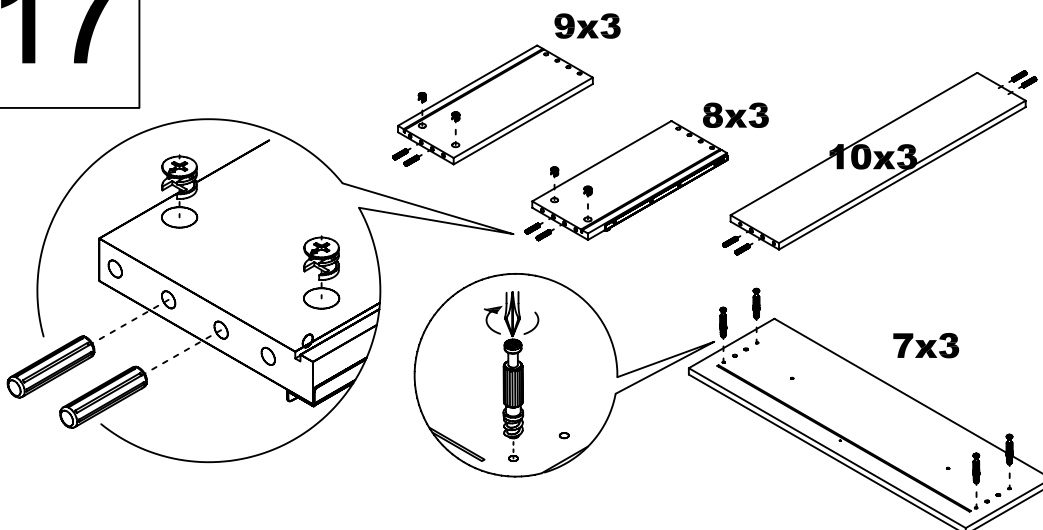
x 1



16



17

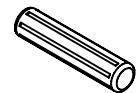


1005367



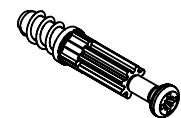
x 12

1005857



x 24
(8x35)

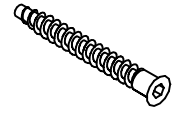
1006091



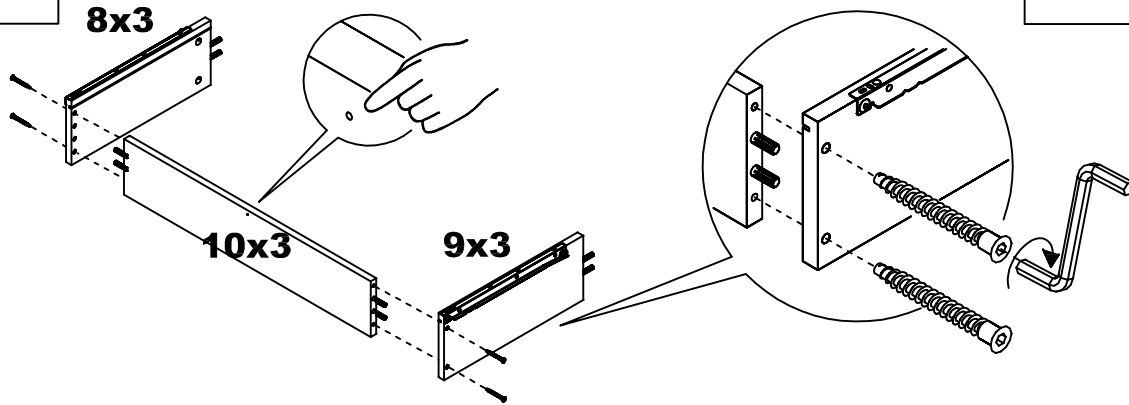
x 12

18

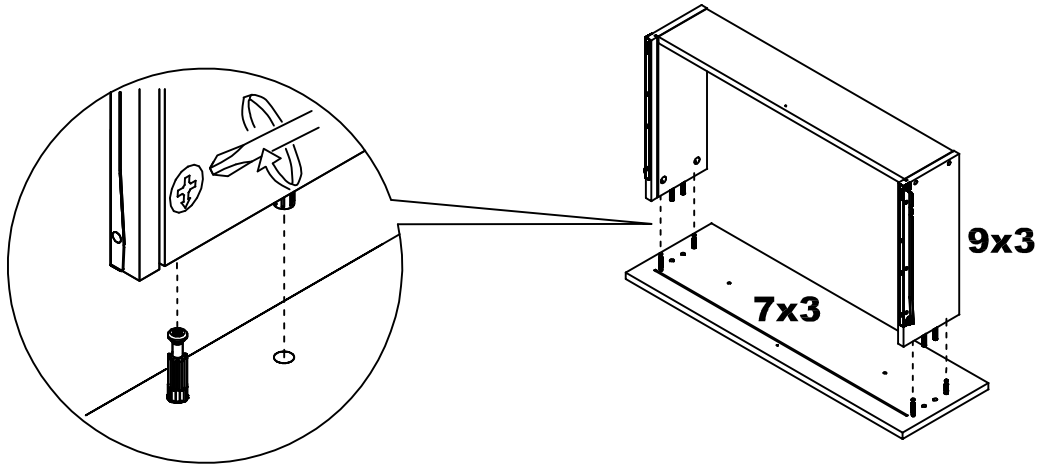
1005876



x 12



19

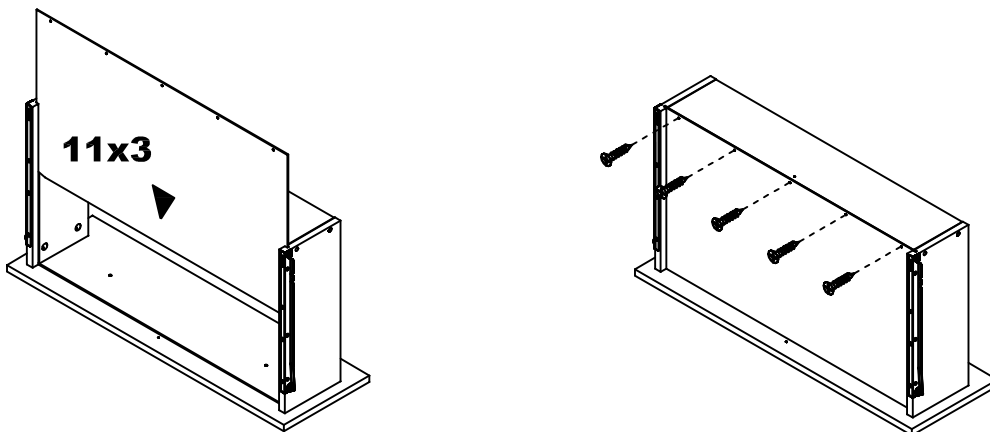


20

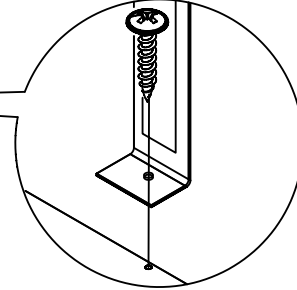
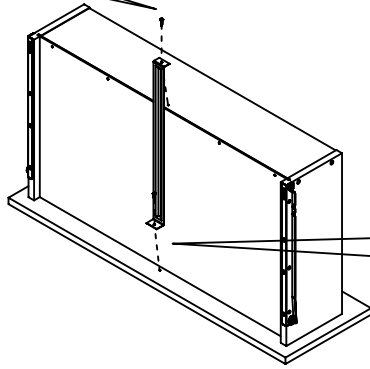
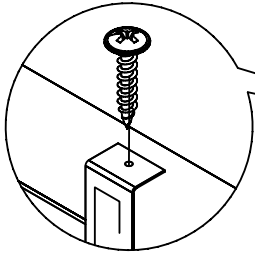
1006012



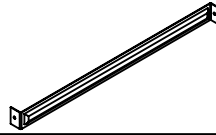
x 15
(3x16)



21



1002152



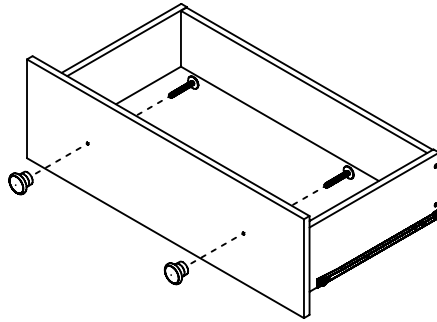
x 3

1005926

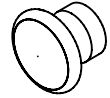


x 6
(3x13)

22

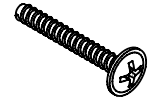


1005865



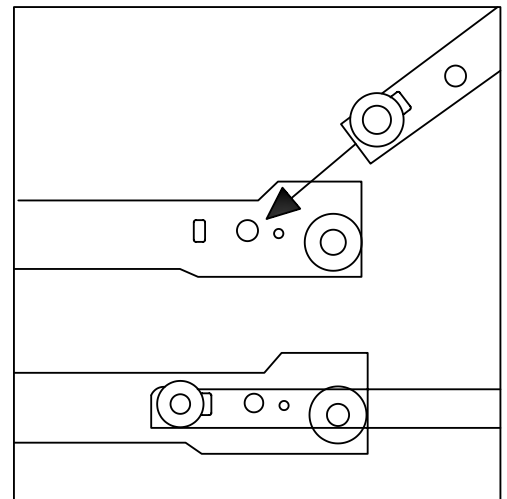
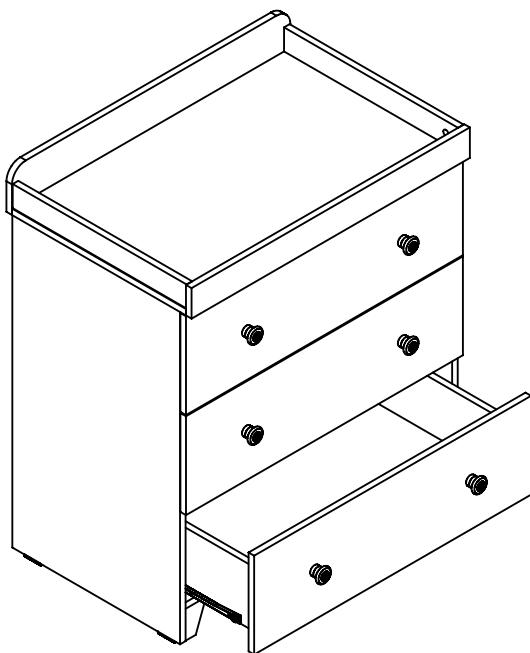
x 6

1006031



x 6
(4x22)

23



Safety

Warning: Do not leave your child unattended.

Always use the wall attachment strap provided.

All assembly fixings should always be tightened properly. Care should be taken that no screws are loose because a child could trap parts of their body, or clothing (e.g. strings, necklaces, ribbons, dummies, etc.) which could pose a risk of strangulation.

Be aware of the risks of open fires and other such sources of strong heat, such as electric bar fires, gas fires, etc. in the near vicinity of the dresser.

Suitable for use with a changing mat of max size 50x 76.4 cm

The changing area is suitable for use up to 12 months old or 11kg in weight.

Do not use the dresser if any of the parts are broken, torn or missing.

Any additional or replacement parts can only be obtained from the manufacturer or the distributor.

This product conforms to: **BSEN 12221:2008 +A1:2013.**

Maintenance

Take care when handling or moving the furniture. Careless handling may cause damage.

Regularly check that all fixings are tightened and that there are no broken or damaged parts.

Cleaning

Your dresser can be cleaned by wiping with a damp cloth and drying with a soft clean cloth. Do not use abrasives, bleach, alcohol or ammonia based household polishes.

Little Acorns

01952460696 and address:

The Malthouse,

Sheriffhales, Shifnal.

Shropshire TF11 8RD