

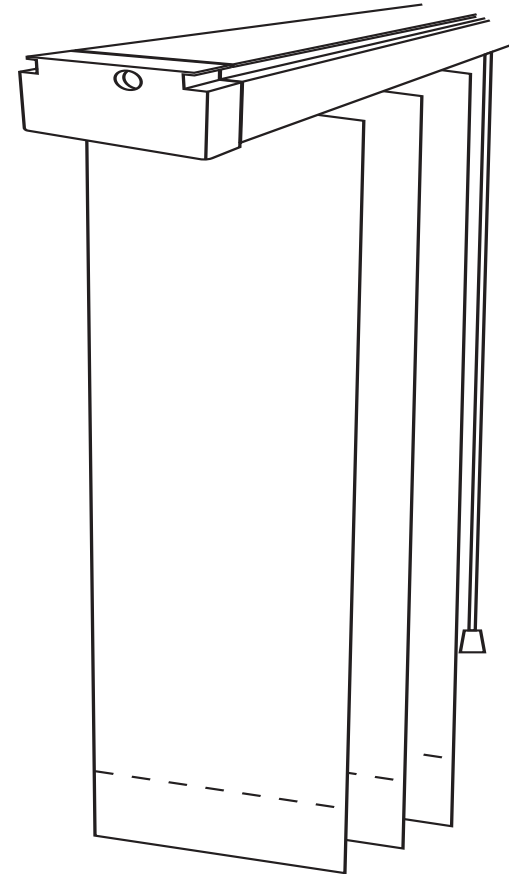
Please retain these instructions for future reference.

# ANYDAY

JOHN LEWIS

& PARTNERS

## Vertical Blind User Guide



---

John Lewis Plc  
171 Victoria Street  
London SW1E 5NN  
[johnlewis.com](http://johnlewis.com)

Made in China  
Batch code:

---

## INTRODUCTION

**Thank you for purchasing this Vertical blind. Please read the instructions carefully before use to ensure safe and satisfactory operation of this product.**

It is recommended that this blind should only be installed by persons competent in DIY. At John Lewis, we are committed to making great products possible. From our in-house Design Team, to our Buyers, we work together to bring great design to life. Our Product Technologists work collaboratively with our Buyers and suppliers to ensure the legality, safety and quality of the product we sell. We are all committed to designing and developing products to the highest industry standards.

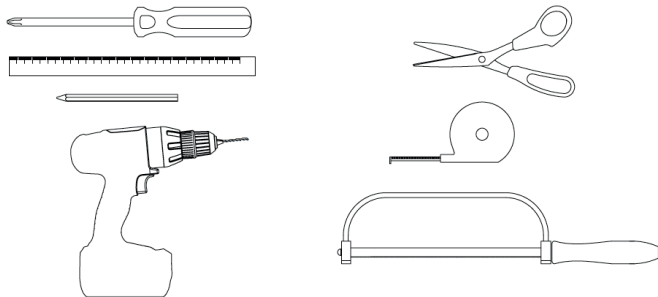
We hope you are happy with your product and welcome any feedback or comments you may have.

## VIDEO INSTRUCTIONS

Scan the QR code to link to our online videos that guide you in getting a perfect fit for a Roller blind. Alternatively follow the link [johnlewis.com/blindassembly](http://johnlewis.com/blindassembly)



## TOOLS REQUIRED



## PEOPLE TO ASSEMBLE

One person

## TIME TO ASSEMBLE

1 Hour

## WARNINGS



- ⚠ Small parts – choking hazard.
- ⚠ Keep small parts out of reach of children
- ⚠ Ensure the product is fully assembled as illustrated before use.
- ⚠ Young children can be strangled by loops in pull cords, chains, tapes and inner cords that operate the product.
- ⚠ To avoid strangulation and entanglement, keep cords out of reach of children.
- ⚠ Cords may become wrapped around a child's neck.
- ⚠ Move beds, cots and furniture away from window covering cords.
- ⚠ Do not tie cords together. Make sure cords do not twist and create a loop.
- ⚠ The safety clips should be positioned high enough to be out of reach of small children yet accessible to adults.
- ⚠ All safety clips for blinds need to be fixed to a solid surface using a screw and fixing suitable for the wall or surface material – see guide to wall mounting and fixings on the last page. These items should not be glued or stuck in place.
- ⚠ The head rail should not be installed less than 1.5m from the floor.

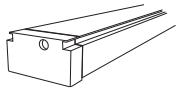



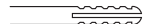

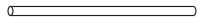

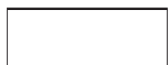
## DO'S

- ✓ Please read all safety warnings and installation information fully before installation.
- ✓ This product should be fitted in accordance with the manufacturer's fitting instructions.
- ✓ Check the pack to make sure you have all the parts listed.
- ✓ Take care when drilling on glazed tile surfaces in case the drill slips.
- ✓ Check that all screw and bolt assembly fittings are tightened and inspect on a regular basis.
- ✓ Use the safety device provided.
- ✓ Please read our guide on wall mounting and fixing on the inside back cover.

## DONT'S

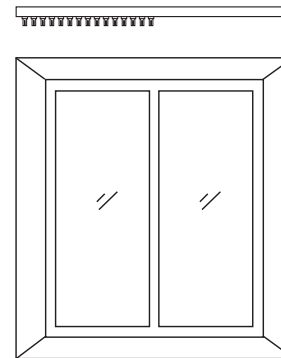
- ✗ Do not over tighten screws or bolts.
- ✗ Do not use power tools to construct as over tightening and failure may occur.

PARTS LIST

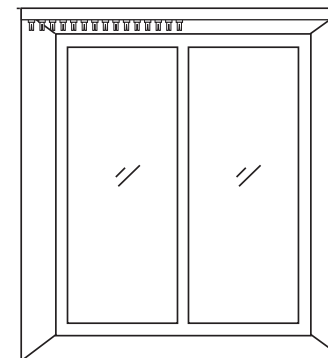
| Code | Item                 | Quantity |        |        | Illustration  |
|------|----------------------|----------|--------|--------|---|
| 1    | Headrail/ Track      | 120 cm   | 180 cm | 240 cm |    |
|      |                      | 1        | 1      | 1      |   |
| 2    | Tilt Wand            | 120 cm   | 180 cm | 240 cm |    |
|      |                      | 1        | 1      | 1      |   |
| 3    | Brackets             | 120 cm   | 180 cm | 240 cm |    |
|      |                      | 2        | 3      | 3      |   |
| 4    | Screws               | 120 cm   | 180 cm | 240 cm |    |
|      |                      | 6        | 8      | 8      |   |
| 5    | wall plugs           | 120 cm   | 180 cm | 240 cm |    |
|      |                      | 6        | 8      | 8      |   |
| 6    | Fabric panels/ Vanes | 120 cm   | 180 cm | 240 cm |    |
|      |                      | 15       | 22     | 30     |   |
| 7    | vane rod             | 120 cm   | 180 cm | 240 cm |  |
|      |                      | 15       | 22     | 30     |   |
| 8    | Allen key            | 120 cm   | 180 cm | 240 cm |  |
|      |                      | 1        | 1      | 1      |   |
| 9    | Fabric weights       | 120 cm   | 180 cm | 240 cm |  |
|      |                      | 15       | 22     | 30     |   |

BLIND POSITIONING

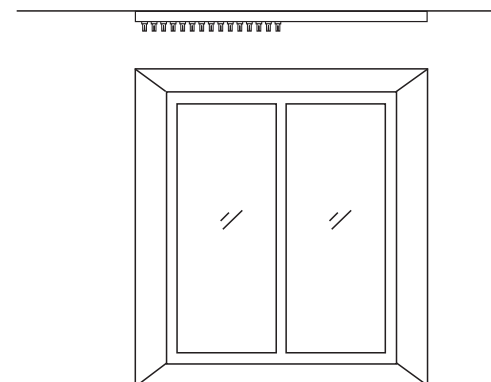
1. Decide on position of your blind



Outside Recess

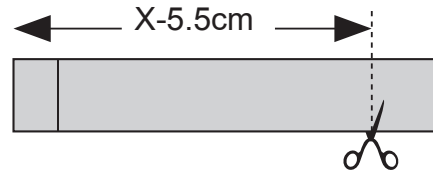
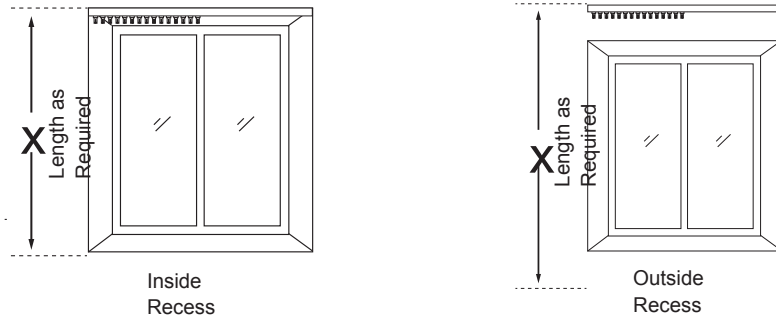


Inside Recess

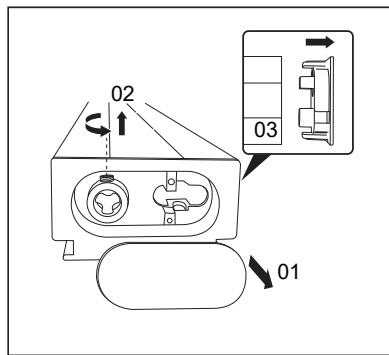
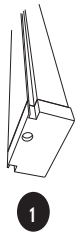


Ceiling Mounted

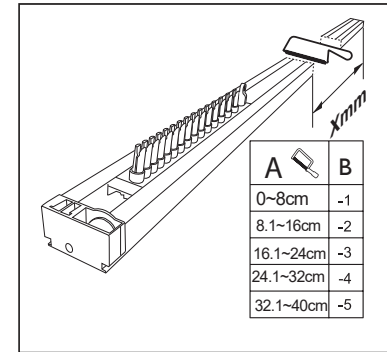
## 2. Measuring and Trimming the blind



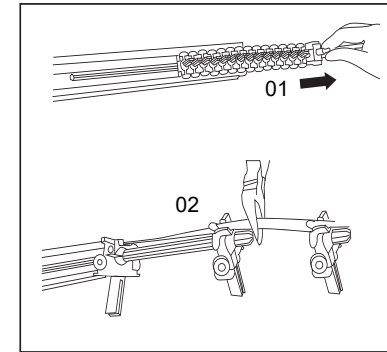
Note: 5.5cm is taken off measurement X to allow for the track and carriers.



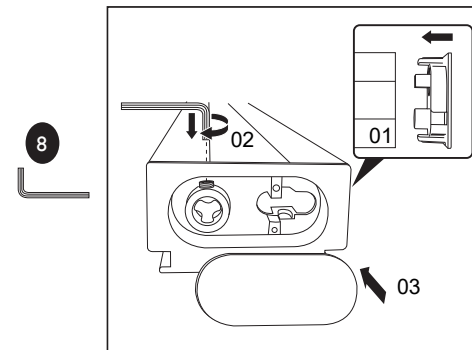
1. Take end cap off headrail.
2. Turn the toggle to loosen bottom cover of the headrail.
3. Remove bottom of the headrail.



1. Work out the correct number of vane clips to remove based on total length of headrail you will be trimming.  
A= length you are trimming  
B= vane clip quantity to remove per trim length.
2. Cut the headrail with a hacksaw.






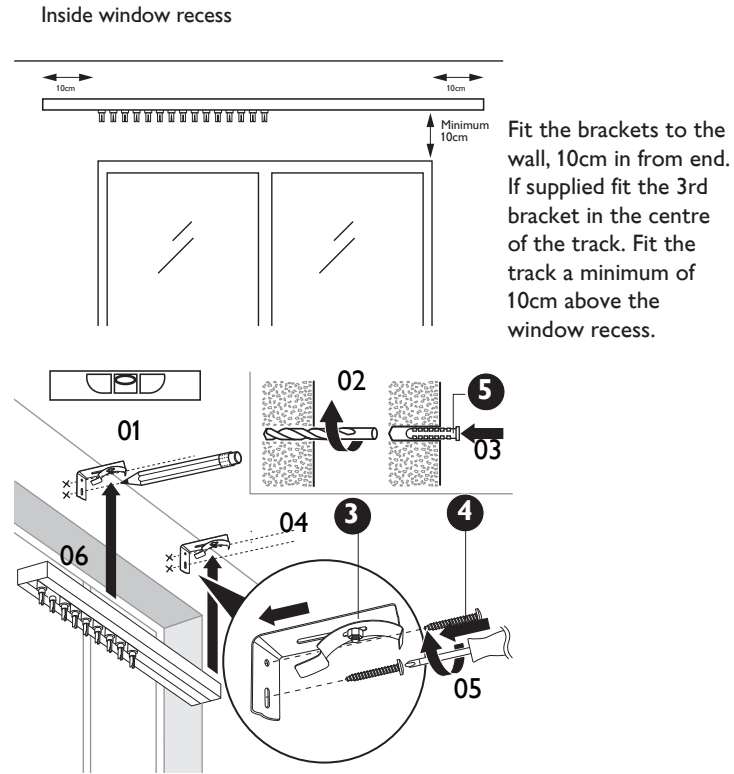
1. Remove the fabric clips for the vanes attached to the inner headrail cord.
2. Cut the cord correctly as per quantity of vane clips to remove.



1. Re-attach bottom of headrail.
2. Tighten bottom cover of headrail back up using Allen key.
3. Re-attach headrail end cap.




### 1. Prepare brackets- wall mounted

-  3
-  4
-  5

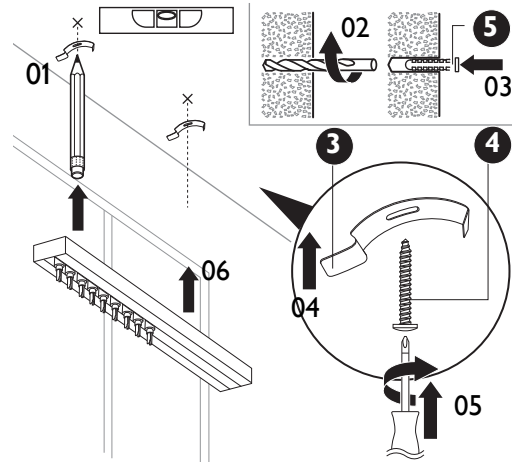


Fit the brackets to the wall, 10cm in from end. If supplied fit the 3rd bracket in the centre of the track. Fit the track a minimum of 10cm above the window recess.

### 2. Prepare brackets- ceiling/ recess mounted

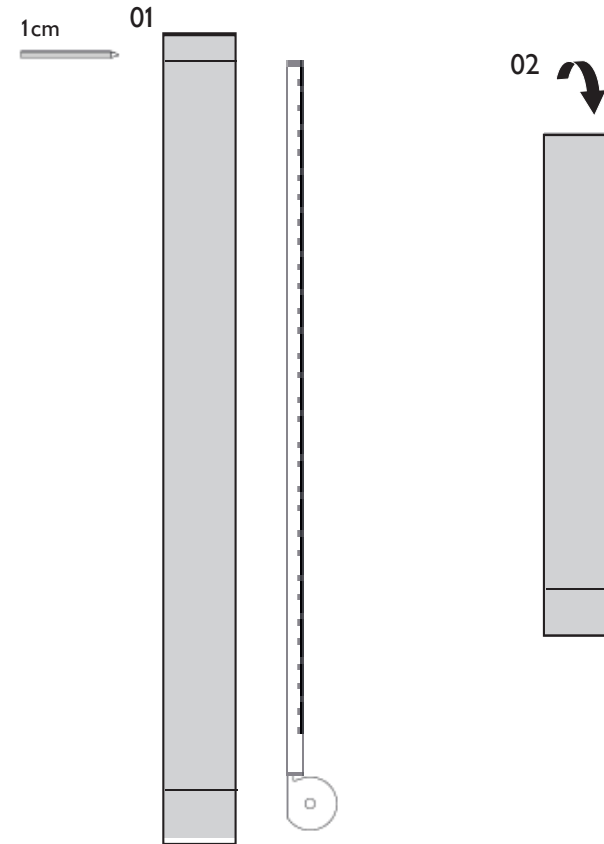
-  3
-  4
-  5

Fit the brackets to the recess or ceiling, 20cm in from end. If supplied fit the 3rd bracket in the center of the track.

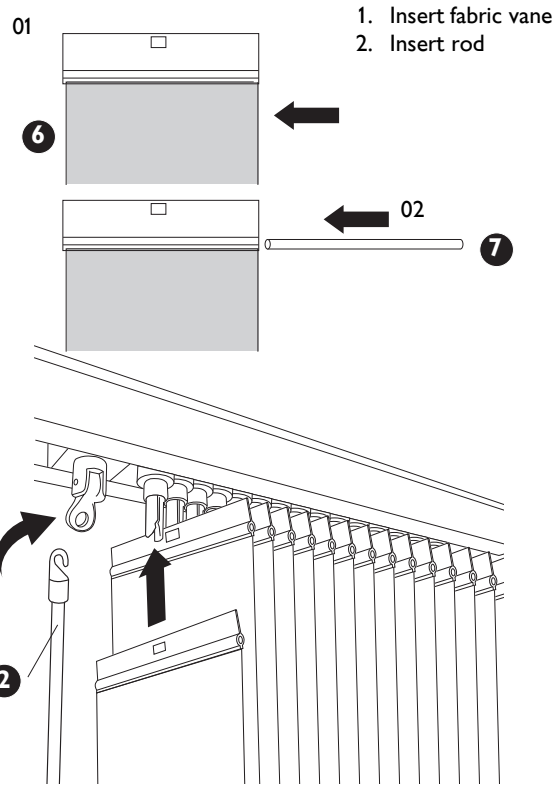
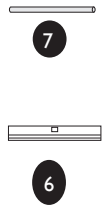


### 3. Measure and score fabric vanes

1. To prevent over folding the fabric vanes , ensure you measure 1cm from the top of each fabric vane and score.
2. Then fold the vane directly on the score mark made.

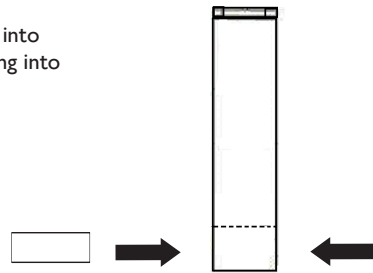
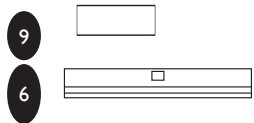


#### 4. Fitting vanes and wand



#### 5. Add the fabric weights

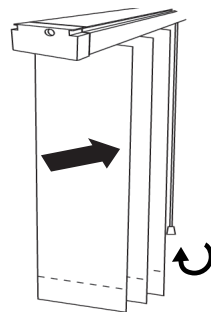
Insert the fabric weights into each fabric panel by sliding into the pocket vertically.



#### 6. Operating the blind

Use the wand to draw the blind.

The blind is opened/closed by rotating the wand.



### GUIDE TO WALL MOUNTING & FIXINGS

#### KEY INFORMATION



**Warning:** Although we have provided fixings, different wall materials require different types of screws / fixings. Please ensure you use the correct screws / fixings for your type of walls and seek professional advice if you are not sure. Failure of the product due to incorrect fixings is the responsibility of the installer.

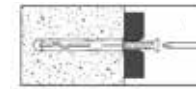
Please note that the screws provided with this product are suitable for a solid brick wall.

**Important** - When drilling into the walls always check that there are no hidden wires or pipes etc.

Take care when drilling on glazed tile surfaces in case the drill slips.

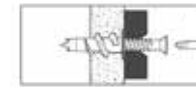
#### FIXINGS

You can use one of the following types of wall plug if your walls are made of brick, breezeblock, concrete, stone or wood.



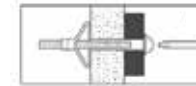
##### General Purpose wall plug

Generally aerated blocks should not be used to support heavy loads, use a specialist fitting in this case. For light loads, general – purpose wall plugs can be used.



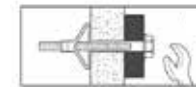
##### Plasterboard wall plug

For use when attaching light loads on to plasterboard partitions.



##### Cavity Fixing wall plug

For use with plasterboard partitions or hollow wooden doors.



##### Cavity Fixing – Heavy Duty wall plug

For use when fitting or supporting heavy loads such as shelving, wall cabinets and coat racks.



##### Hammer Fixing wall plug

For use with walls stuck with plasterboard. The hammer fixing allows it to be fixed to the wall rather than the plasterboard. Always check the fixing is secure to the retaining wall.



##### Shield Anchor wall plug – Heavy loads

For use with heavier loads such as TV and Hi-Fi speakers and satellite dishes etc.

#### PRODUCT INFORMATION

#### CARING FOR YOUR PRODUCT

- The vanes may be dusted using a dry cloth. To clean, wipe with a barely damp cloth.
- Never use any water, solvents, scourers, abrasives, bleach, acids, strong detergents, aggressive chemical cleaners or solvent-type cleaning solutions on the product.
- In case of crease marks on the vanes, iron the vanes and low temperature (**less than 110deg**). Before ironing, cover the vane with a dry clean cloth.