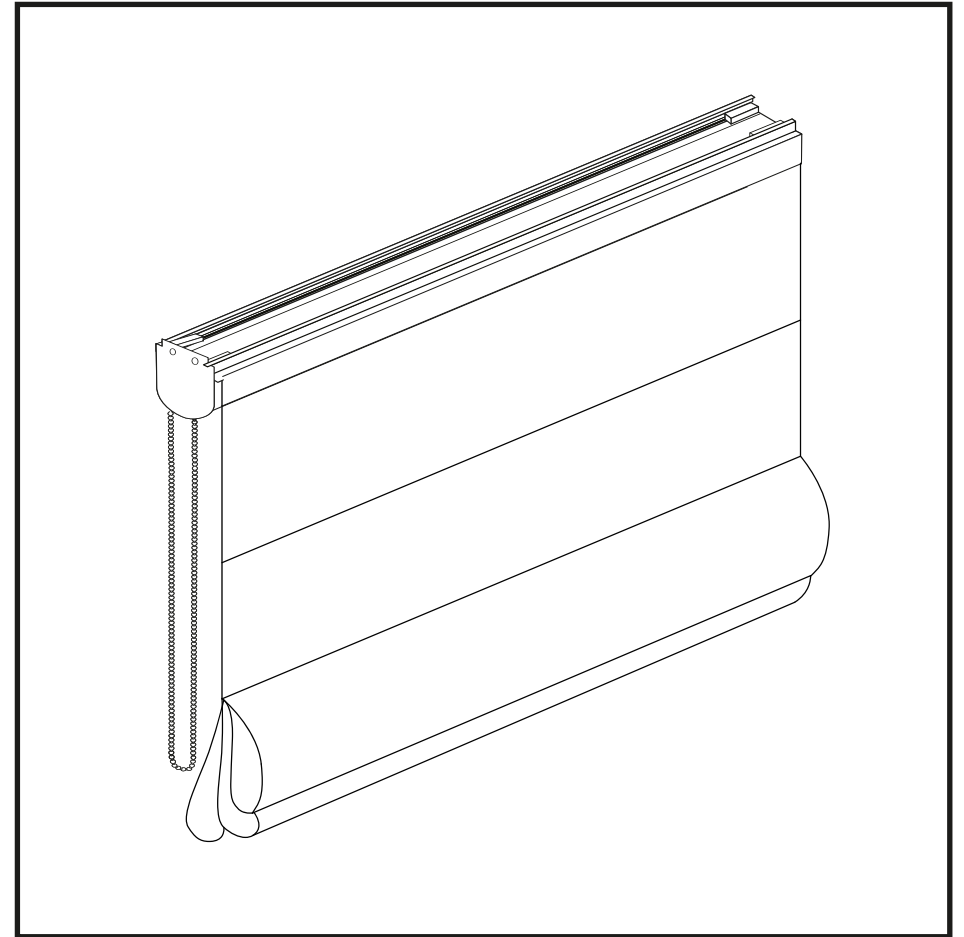


Please retain these instructions for future reference.



ROMAN BLIND

INSTRUCTION MANUAL

John Lewis Partnership
171 Victoria Street
London SW1E 5NN
johnlewis.com

Made in China
Batch code:

JOHN LEWIS
& PARTNERS

INTRODUCTION

**Thank you for purchasing this Roman blind.
Please read the instructions carefully before
use to ensure safe and satisfactory operation
of this product.**

It is recommended that this blind should only be installed by persons competent in DIY. At John Lewis, we are committed to making great products possible. From our in-house Design Team, to our Buyers, we work together to bring great design to life. Our Product Technologists work collaboratively with our Buyers and suppliers to ensure the legality, safety and quality of the product we sell. We are all committed to designing and developing products to the highest industry standards.

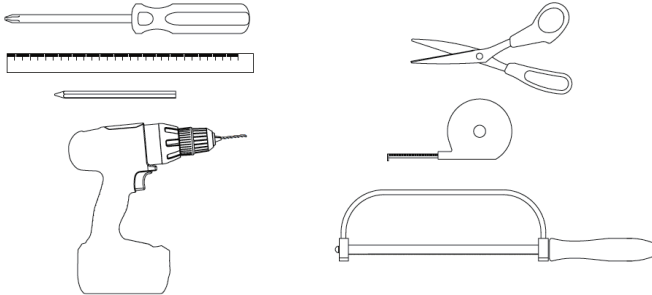
We hope you are happy with your product and welcome any feedback or comments you may have.

VIDEO INSTRUCTIONS

Scan the QR code to link to our online videos that guide you in getting a perfect fit for a blind. Alternatively follow the link johnlewis.com/blindassembly



TOOLS REQUIRED



PEOPLE TO ASSEMBLE

One person

TIME TO ASSEMBLE

1 Hour

WARNINGS



- ⚠ Small parts – choking hazard.
- ⚠ Keep small parts out of reach of children
- ⚠ Ensure the product is fully assembled as illustrated before use.
- ⚠ Young children can be strangled by loops in pull cords, chains, tapes and inner cords that operate the product.
- ⚠ To avoid strangulation and entanglement, keep cords out of reach of children.
- ⚠ Cords may become wrapped around a child's neck.
- ⚠ Move beds, cots and furniture away from window covering cords.
- ⚠ Do not tie cords together. Make sure cords do not twist and create a loop.
- ⚠ The safety clips should be positioned high enough to be out of reach of small children yet accessible to adults.
- ⚠ All safety clips for blinds need to be fixed to a solid surface using a screw and fixing suitable for the wall or surface material – see guide to wall mounting and fixings on the last page. These items should not be glued or stuck in place.
- ⚠ The head rail should not be installed less than 1.5m from the floor.

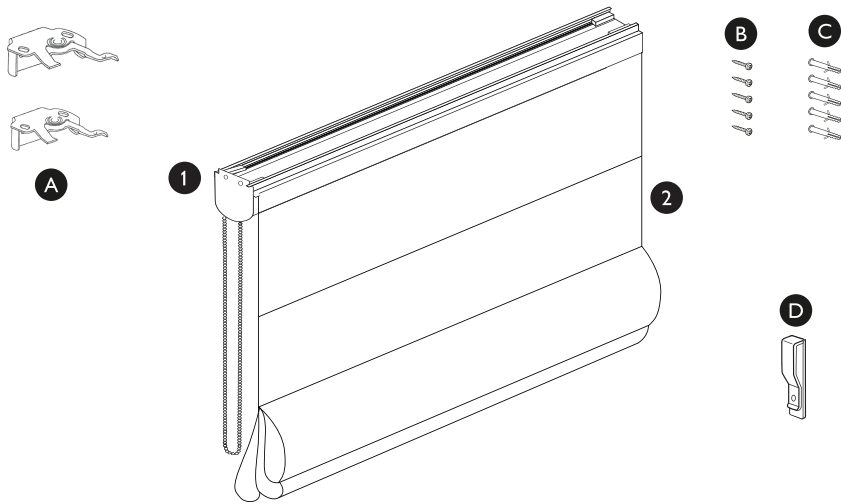
DO'S





- ✓ Please read all safety warnings and installation information fully before installation.
- ✓ This product should be fitted in accordance with the manufacturers fitting instructions.
- ✓ Check the pack to make sure you have all the parts listed.
- ✓ Take care when drilling on glazed tile surfaces in case the drill slips.
- ✓ Check that all screw and bolt assembly fittings are tightened and inspect on a regular basis.
- ✓ Use the safety device provided.
- ✓ Please read our guide on wall mounting and fixing on the inside back cover.

DONT'S

- ✗ Do not over tighten screws or bolts.
- ✗ Do not use power tools to construct as over tightening and failure may occur.

PARTS LIST



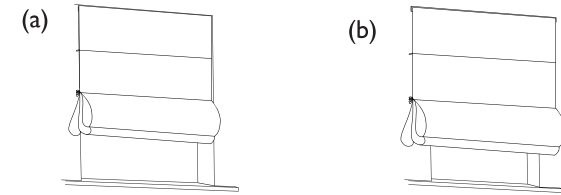
Code	Item	Quantity	Dimension	Illustration
1	Headrail			
2	Fabric			
A	Mounting Brackets < 110 cm > 110 cm	x2 x3	3.8x2.5 cm	
B	Screw 1 < 110 cm > 110 cm	x5 x7	0.4x3.5 cm	
C	Wall Plugs < 140 cm > 140 cm	x5 x7	0.6x3.5 cm	
D	Safety Clip	x1	1x4 cm	

BLIND POSITIONING

1. Decide on position of your blind

Inside recess mount
Decide on the position of the blind so that it will be clear of any latches and fixtures.

Outside recess mount
Decide on the position of the blind so that it overlaps on both sides equally. At least 5cm.



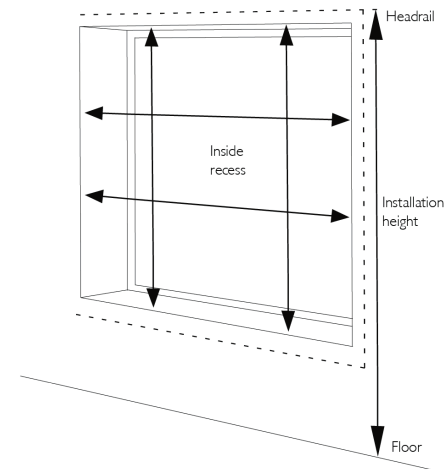
2. Measuring

Inside window recess

Measure both the width and the length of the space to get the right dimensions. Remember to take measurements at different points and use the smallest to ensure accuracy. If you prefer to hang your blind in front of the recess, position it as far above as you choose, then measure the inside of the recess crosswise and add a minimum of 0.5cm to each side.

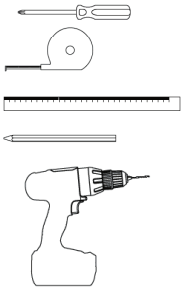
Outside window recess

If you're fitting your blind outside a recess, it's a matter of taste how high or low you fit it – though we recommend leaving around 10cm above the window frame or recess.

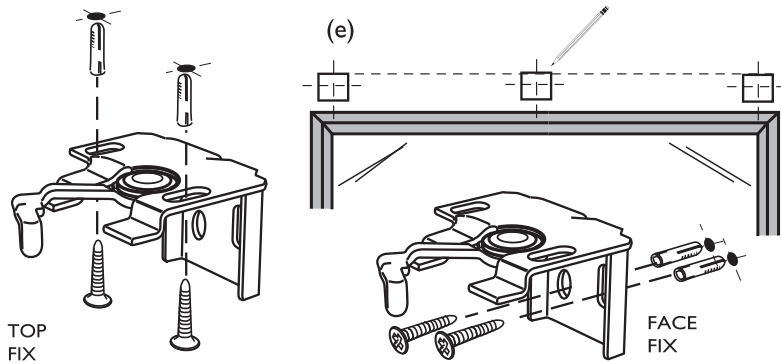


1. Fixing the Brackets

1 2 A B



- A. Please ensure that the headrail is not installed less than 1.5 meters from the floor.
- B. The brackets are designed for face or top fixing to the window frame, wall, or ceiling.
- C. Attach the brackets to the headrail by inserting into the channel on the reverse.
- D. Having decided the positioning of the blind, present it to the desired position, making sure it is centred and level.
- E. Mark the location of each bracket with a pencil.
- F. Remove each bracket from the headrail by pressing the locking tab at the bottom of the bracket.
- G. Place each bracket on its location markings and mark through the desired screw hole positions.
- H. Use the screws provided to fix the brackets to wood. For masonry, use appropriate fixings.

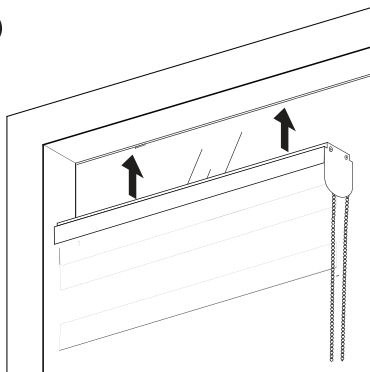


2. Installing the Blind

1 2 A

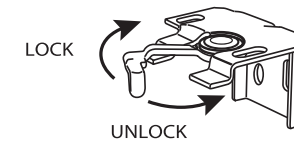
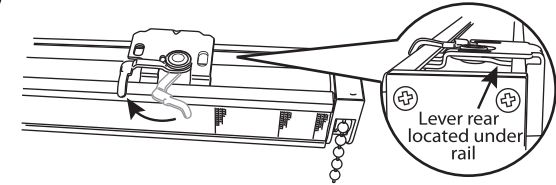
- A. Make sure that the downward folds are facing outwards. Present the headrail to its brackets, resting it on top of them.

(a)



- B. Tilt the head-rail forward and back to engage with the lip of the bracket.
- C. Finally, push the swing arm clockwise until it locks in to place. Remember to hold the blind in place firmly.

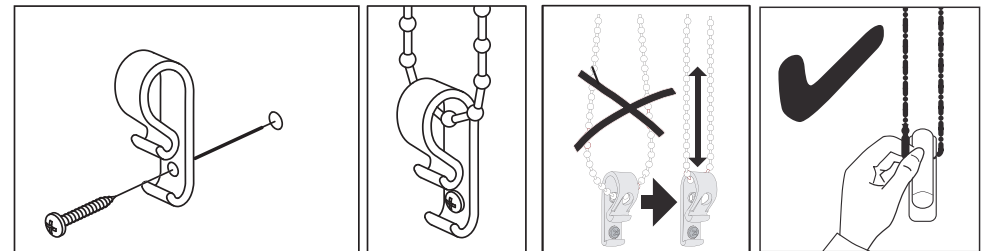
(c)



3. Fixing the Safety device

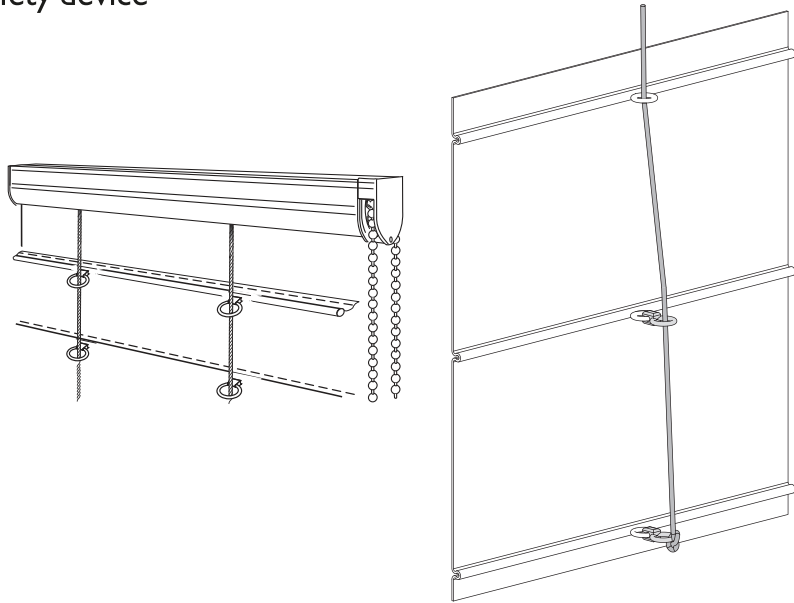
The safety device must be installed at the maximum distance possible from the control mechanism to prevent looped chain becoming slack. Place the safety device on the wall and mark the position of the screw hole. Drill holes using a suitable drill bit. Place device into position ensuring the chain is fully taut. Screw into position ensuring device is fully closed. Test the chain moves freely through the device.

A B D



Children can strangle if a safety device is not installed. Always use a safety device to keep cords or chains out of reach of children.

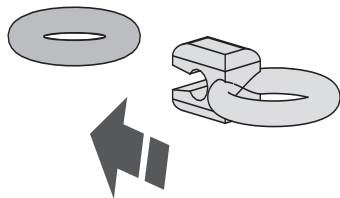
4.
Fixing the
Additional
Safety device



SAFETY DEVICES

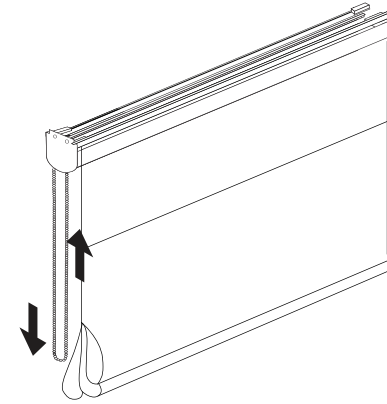
This product has been supplied with break away safety clips attached to each cord on the reverse of this blind. These components have been pre-installed and have been supplied to make this blind safe in line with the new child safety regulations outlined in BS EN13120.

The break away safety clips that are attached to each panel and cord on the reverse of the blind will break away from the front of the clip if any reasonable weight is placed on the cord on the back of the blind. Our clips will break away leaving one side of the clip on the tape and the other on the cord. They are easily re-attached if required.



5.
Operating
the Blind

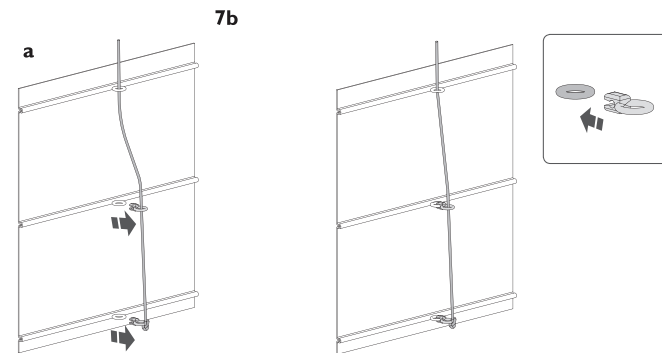
To operate the blind pull the chain to lower and raise to desired position.



6.
Care instructions

To prevent serious soiling, you can regularly dust the blind with a feather duster or use a vacuum cleaner on low power. If there are stains, we would advise that you remove these as quickly as possible with a soft sponge and luke warm water (max. 30°C) and if needed, a non-synthetic washing powder.

To clean the fabric, this must first be removed from the top rail as follows: Unhook the cord guides from the stitched rings (a). Then carefully remove the bottom bar which is tucked into bottom pocket. At the top pull the fabric off the Velcro fastener on the top rail. To replace (b)- re attach clips and adjust cords stops if necessary.



GUIDE TO WALL MOUNTING & FIXINGS

KEY INFORMATION



Warning: Although we have provided fixings, different wall materials require different types of screws / fixings. Please ensure you use the correct screws / fixings for your type of walls and seek professional advice if you are not sure.

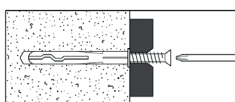
Failure of the product due to incorrect fixings is the responsibility of the installer.

Important - When drilling into the walls always check that there are no hidden wires or pipes etc.

Take care when drilling on glazed tile surfaces in case the drill slips.

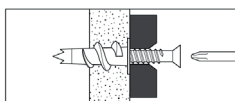
FIXINGS

You can use one of the following types of wall plug if your walls are made of brick, breezeblock, concrete, stone or wood.



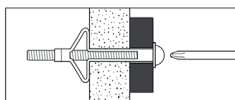
General Purpose wall plug

Generally aerated blocks should not be used to support heavy loads, use a specialist fitting in this case. For light loads, general – purpose wall plugs can be used.



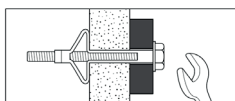
Plasterboard wall plug

For use when attaching light loads on to plasterboard partitions.



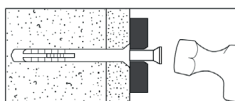
Cavity Fixing wall plug

For use with plasterboard partitions or hollow wooden doors.



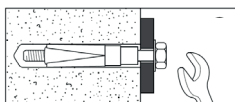
Cavity Fixing – Heavy Duty wall plug

For use when fitting or supporting heavy loads such as shelving, wall cabinets and coat racks.



Hammer Fixing wall plug

For use with walls stuck with plasterboard. The hammer fixing allows it to be fixed to the wall rather than the plasterboard. Always check the fixing is secure to the retaining wall.



Shield Anchor wall plug – Heavy loads

For use with heavier loads such as TV and Hi-Fi speakers and satellite dishes etc.

PRODUCT INFORMATION

CARING FOR YOUR PRODUCT

The fabric may be dusted using a dry cloth. To clean, wipe with a barely damp cloth. The product is maintenance free however we recommend that regular checks are completed to ensure that no components have been damaged, which could result in operating difficulties or cause a safety risk.
