

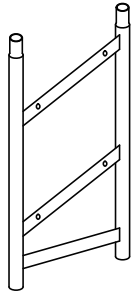
Getting started

Thank you for purchasing this 2 tier Chrome shoe rack. Please read the instructions and warnings carefully before use to ensure safe and satisfactory use of this product. Before beginning assembly, please ensure you have all parts outlined in the pack contents below.

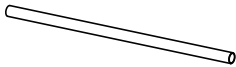
Parts list



x 8



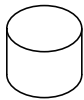
A x 2



B x 4



C x 4



D x 4

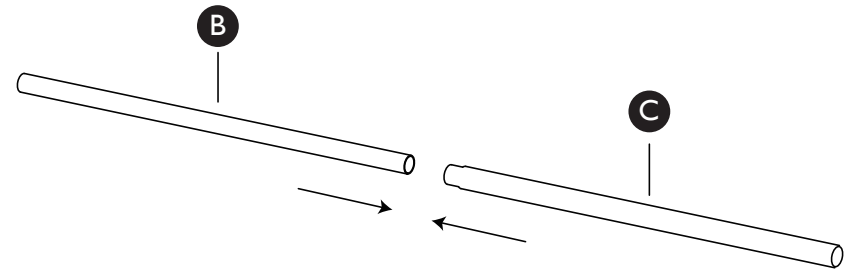


E x 4

Step by step assembly instructions

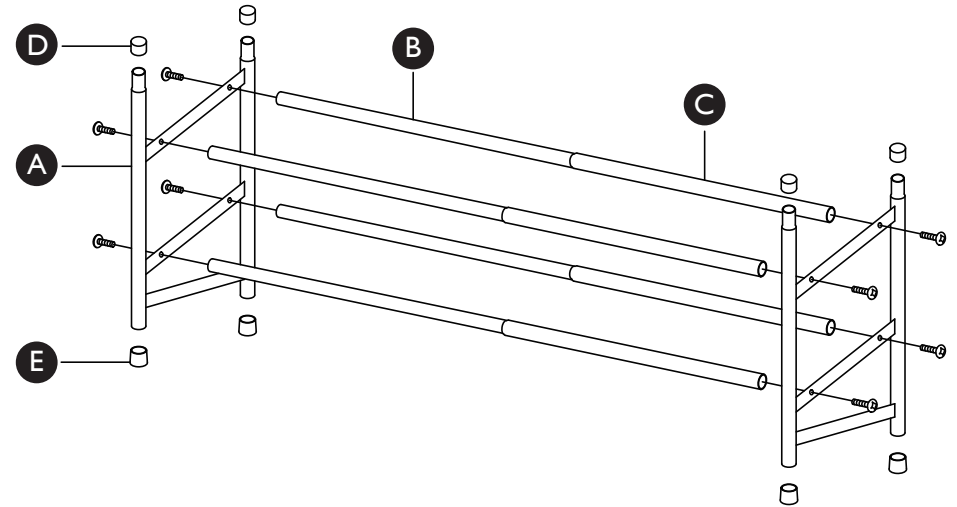
You will need a cross-head screwdriver to assemble this product. Assemble the 2 tier shoe rack as per the diagram below.

1



First assemble tubes (B) and (C). Repeat for 4 x tube (C)

2



Assemble the tubes to the side panels (A) using the screw, repeat for the other tier before starting to assemble the other side of the shoe rack. Finally install the plastic cap (D) on the top and (E) on the bottom of each end.

Please do not extend tubes (C) over the arrow marks on thinner tube (B).

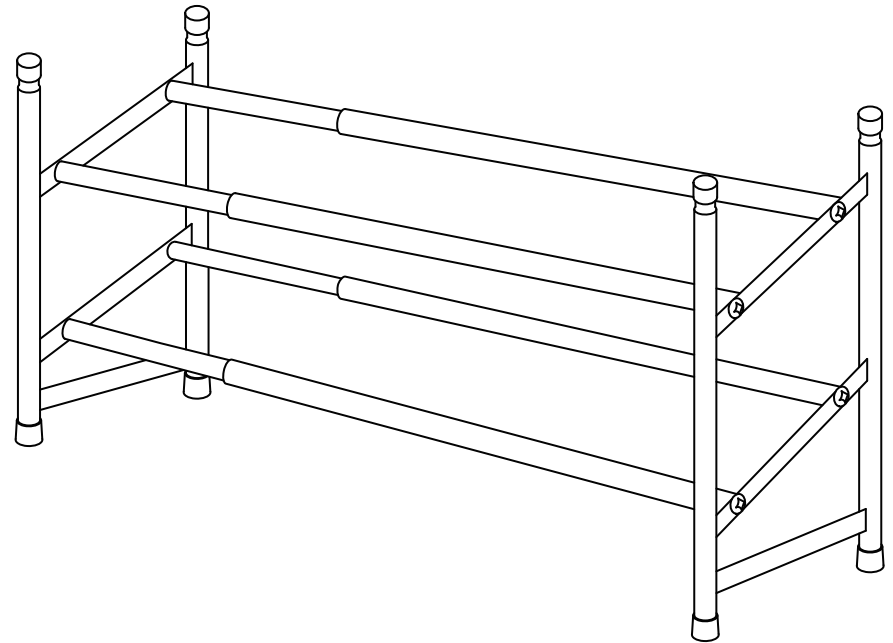
Care and maintenance Do not use scourers or cleaning agents containing abrasives (such as powder cleaners) as this will damage the surface finishes. Please clean with a soft dry cloth.



2-TIER EXPANDABLE SHOE RACK USER GUIDE

Warnings The fittings pack contains small items which should be kept away from young children. Do not allow children to climb or play on the shoe rack.

Please retain this information leaflet for future reference.



John Lewis Partnership
171 Victoria Street
London SW1E 5NN
johnlewis.com

Made in Taiwan

Please retain these instructions for future reference

Product Code
57030814