

Product information

- Indoor use only
- Dimmable - When used with dimmable bulbs
- Replacement bulbs should be the same type and rating, available from John Lewis Partners or other established brands
- Clean the fitting with a soft dry cloth. Do not use abrasive chemical cleaners as this will damage the finish
- Glass parts - Just use a damp cloth. Do not use abrasive materials as these will damage the finish. Take care when handling glass parts to avoid damage or injury

Aftercare and Troubleshooting

You've switched on the light, but it's not working:

1. Check your power supply is switched on
2. Turn off the light and check that the bulb is inserted correctly
3. Check the bulb is still in working order

If there are technical issues with this product that you can't solve, please contact your nearest John Lewis & Partners shop or call Technical Support on 03301 230106.


Specification

Max power: 3 x 6W
Recommended bulb:
6W LED E14 Golf bulb for maximum brightness.
Lower wattages are also suitable.
Rated input: 220 -240V, 50Hz
Bulbs not included
IP rating: 20
Weight: 1kg

5-year guarantee

At John Lewis & Partners we test every light to high quality standards. That means we can offer you a 5-year guarantee.

Recycling

This symbol  indicates that this product should not be treated as normal household waste and it should be recycled. John Lewis & Partners do not operate instore take back, but as members of the Distributor Take Back scheme have funded the development and upgrade of recycling facilities across the UK. Please take it to your nearest collection facility or for further details contact your local council or visit www.recycle-more.co.uk.

John Lewis plc
SW1V 2QQ
johnlewis.com

Made in China



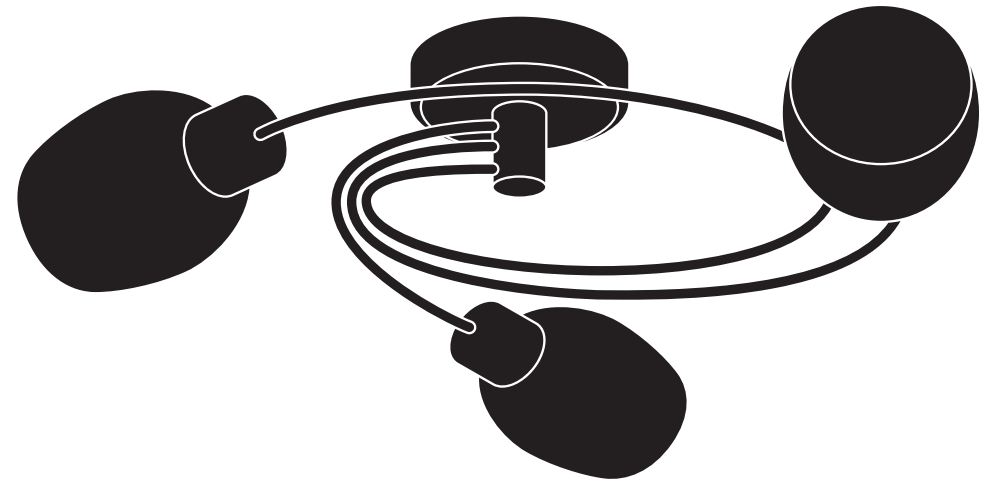
19/07/2024

Please retain these instructions for future reference.

ANYDAY

JOHN LEWIS & PARTNERS

Maya Semi flush light User Guide



Product Code:
70157557

Thank you for purchasing this Maya semi flush light. Please read the instructions carefully before use to ensure safe and satisfactory operation of this product.

Warnings!

This is a Class 1 product and must be earthed.

Please read these instructions carefully before commencing any work.

It is recommended that this fitting is installed by a qualified electrician.

Install in accordance with the IEE Wiring regulations and the Building Regulations.

To prevent electric shock switch off at mains supply before installing or maintaining this fitting.

Ensure other persons cannot restore the electrical supply without your knowledge.

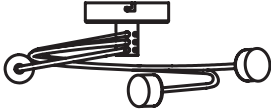



If you are in any doubt, please consult a qualified electrician.

This light fitting should be connected to a 5 amp fused circuit.

If replacing an existing fitting, make a note of the connections.

This product is suitable for installation on surfaces with normal flammability e.g. wood, plasterboard, masonry. It is not suitable for use on highly flammable surfaces (e.g. polystyrene, textiles).

For your safety, always switch off the supply before cleaning or removing the shade.

Parts list	Image	Qty
Light fitting		1
Screws		2
Wall plugs		2
Shades		3

Assembly

Refer to assembly drawing opposite. Carefully unpack the carton, making sure all the parts are present before assembly.

Step 1

Existing ceiling roses must be completely removed before installation of a new product. Before removing the existing fitting or ceiling rose, **carefully note the position of each set of wires.**

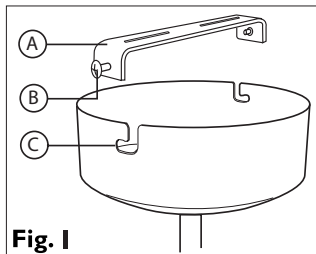


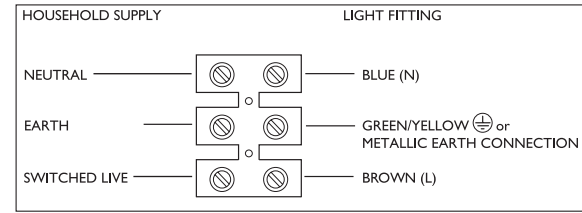
Fig. 1

Step 2

Remove the fixing bracket (A) from the ceiling cover by loosening the side screws (B) and attach to the ceiling using the screws provided. Ensure there is a joist at the point of fixing to support the weight of the product. Take care to avoid damaging any concealed wiring and pipes.

Step 3

Having identified the household wiring from your existing light fitting, connect to the connection block inside the product according to the diagram. When completed, ensure that there are no bare or loose strands of wire exposed.



Check that

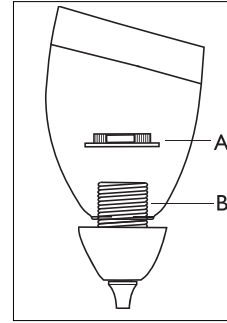
You have correctly identified the house wires.

The connections are tight.

No loose strands have been left out of the connection block.

Step 4

This product has "L" shaped fixing slots to allow easy fixing to the ceiling strap. Locate the "L" slots (C) around the small screws (B) on the ceiling strap (A) (see Figure 1). Rotate the ceiling cover to attach the product to the strap. Tighten the screws to secure. Take care not to trap any wiring.



Step 5

To attach the glass shades remove shade ring (A) from threaded body (B), place glass over threaded body (B) and replace the shade ring (A), tighten with light pressure.

Step 6

Fit the recommended bulb as mentioned overleaf. Replace fuse or circuit breaker and switch on. Your light is now ready for use.