

John Lewis

Sidewinder roman blind kit with cord guides

Thank you for purchasing this product. Please read the instructions and warnings carefully before use to ensure safe and satisfactory operation of this product. It is recommended that this blind should only be installed by persons competent in DIY.

Please check the contents

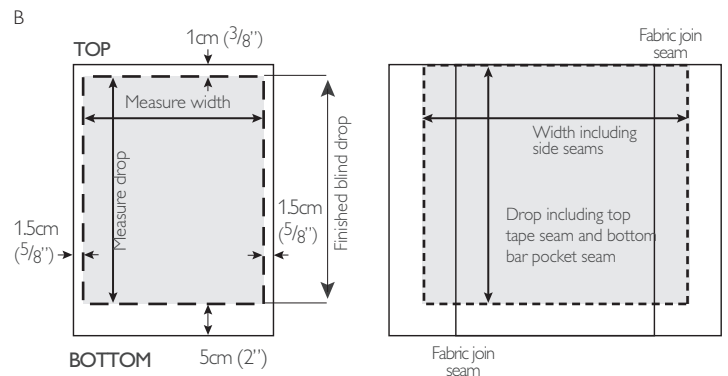
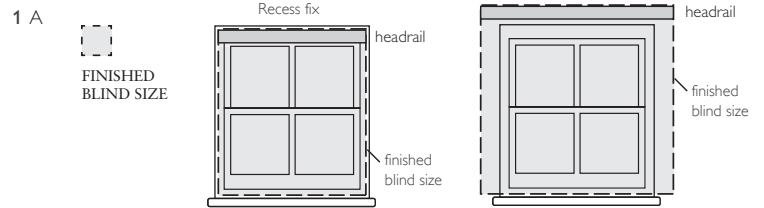
headrail length	headrail (ready corded)	cam support	chain pulley	end cap	chain safety guide	roman rods	bottom bar	hook on cord toggle	loop tape	pocket roman blind tape	headrail trimming aid	screws &
60cm	1	2	1 (ratio 1:1)	1	1	5	1	3	0.62 Mtr	3.2 Mtr	1	6
90cm	1	3	1 (ratio 1:1)	1	1	5	1	4	0.92 Mtr	4.7 Mtr	1	8
120cm	1	3	1 (ratio 1:1)	1	1	5	1	5	1.22 Mtr	6.2 Mtr	1	8
150cm	1	4	1 (ratio 1:3)	1	1	5	1	5	1.52 Mtr	7.7 Mtr	1	10
180cm	1	5	1 (ratio 1:3)	1	1	5	1	6	1.82 Mtr	9.2 Mtr	1	12

Note: Cord pulleys on 60-120cm lengths operate at a ratio of 1:1, whilst 150 and 180cm operate on a ratio of 1:3.

1. Fabric requirements for your window size

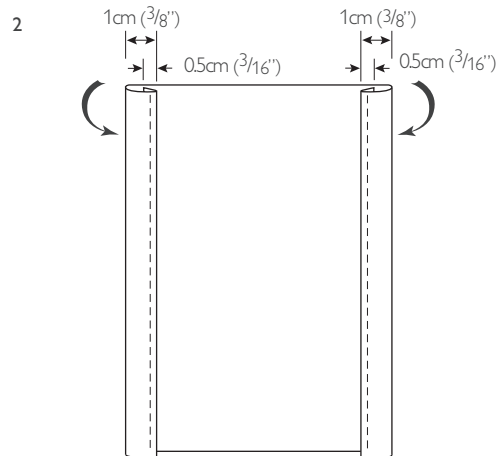
1. A Measure the width and drop of your window for recess fixed headrail or if you have mounted your blind headrail outside the recess, measure the width of the blind headrail by the drop required.
1. B Add to the finished blind the measurements shown in diagram B.

On wider blinds more than a fabric width wide, join the fabric so the blind will have seams an equal distance from the centre. Mark the blind size plus seams with tailors chalk. Trim out the size.



2. Sewing the side seams

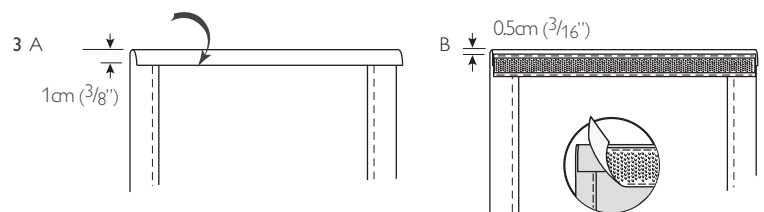
Working on the back of the fabric, fold the side fabric under 0.5cm ($\frac{3}{16}$ "') and then over 1cm ($\frac{3}{8}$ "') to form a seam and sew down the inner edge. Repeat for the opposite side.



3. Stitching the loop tape to the top of the blind

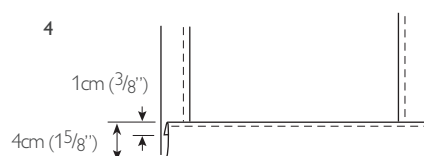
Remove loop tape from headrail.

3. A Fold over the top of the fabric 1cm ($\frac{3}{8}$ "').
3. B Place the loop tape over the fold leaving a 0.5cm ($\frac{3}{16}$ "') gap between the tape and the top of the fold. Sew the tape into place with two rows of stitches - a row on top and a row on the bottom of the tape.



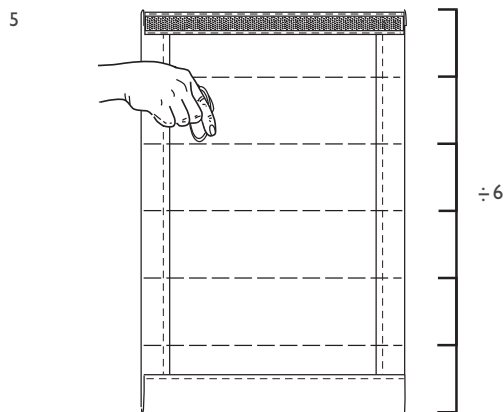
4. Sewing the bottom bar pocket

Fold over and create a 4cm ($\frac{15}{8}$ "') pocket with a turn over of 1cm ($\frac{3}{8}$ "') as shown in the diagram. Stitch along the top edge hem/pocket.



5. Marking the tape positions

Divide the distance between the top and bottom of the blind by 6 and mark at both sides the position. With tailors chalk draw a faint line across the blind. Note: Ensure the lines are parallel before sewing blind in step 6.

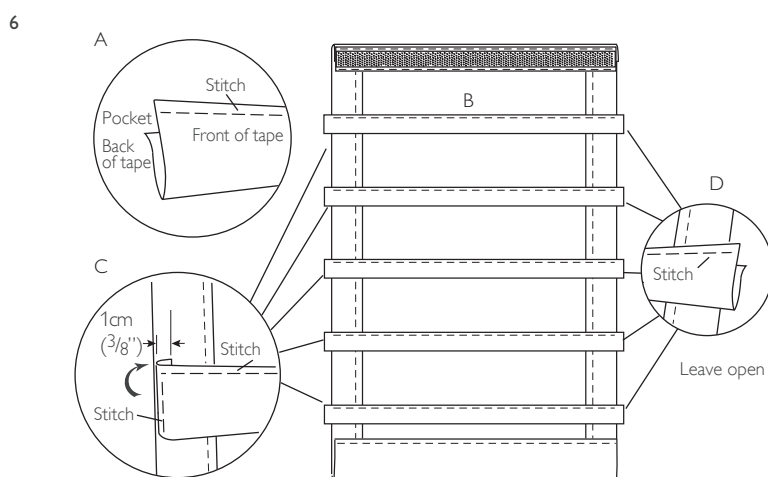


6. Sewing the tape to the blind

6. A Rotate the tape so that it is in the upright position with the rear pocket at the bottom of the tape as shown opposite.

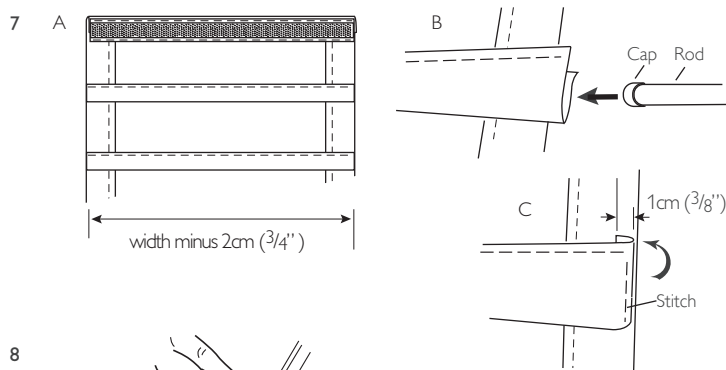
Trim rods and tapes only if required.

6. B Measure and trim the 5 lengths of tape to the blind width plus 1cm ($\frac{3}{8}$ "") at either end for seams.
 6. C Place the lengths onto the chalk marks made previously and turn one side of each length in 1cm ($\frac{3}{8}$ "") to form a hem on the tape.
 6. D Sew to the blind with a row of stitching above the pocket area leaving one pocket end open on each to be hemmed later.



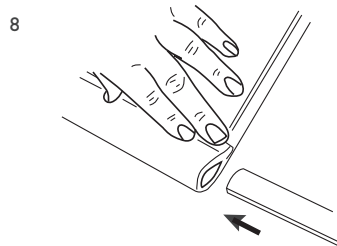
7. Inserting the roman rods

7. A Remove cap and trim the roman rods 2cm ($\frac{3}{4}$ "") shorter than the blind width. Replace cap.
 7. B Insert into the open ends of pockets on the blind tape.
 7. C Fold the end of the pocket under 1cm ($\frac{3}{8}$ "") and stitch down the side.



8. Inserting the bottom bar

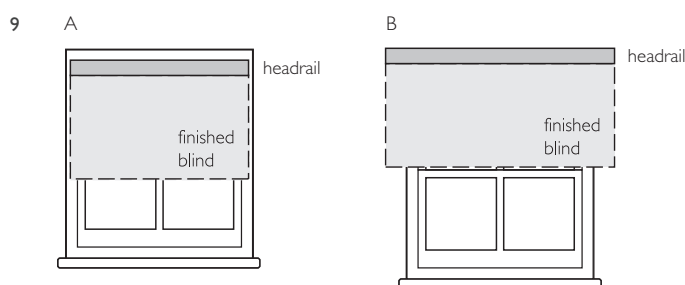
Trim the bottom bar to the same width as the roman rods cut previously (2cm ($\frac{3}{4}$ "") shorter than the blind width). Insert into the bottom pocket of the blind. Place a tacking stitch at each end to hold it in place.



9. Positioning the headrail

Please note: Additional fasteners other than those sent with your blind may be required depending on the mounting surface. Wallboard and plaster require the use of anchors such as expansion or toggle bolts. Brick, tile or stone need special plugs and drill bits. Remember to always pre-drill holes in wood to avoid splitting.

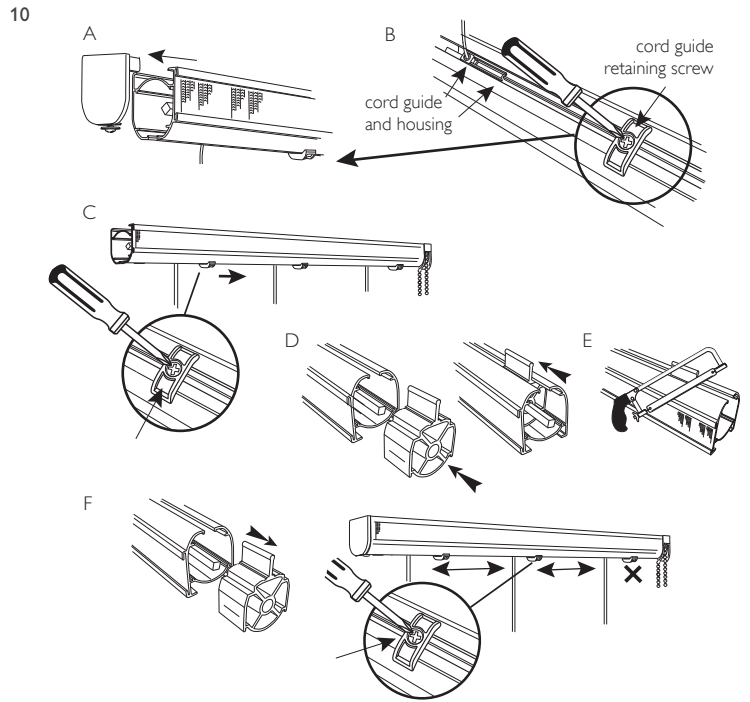
9. A Inside the recess
 Decide the position of the headrail so that it will be clear of any latches and window fixtures. If you need to reduce the width of the headrail to fit the recess, **this should be done before assembling**. See 'Trimming the headrail' instruction on the following page.
9. B Outside the recess
 Decide the position of the headrail so that the overlaps on both sides of the recess are equal. It is advisable to allow a minimum of 5cm (2") overlap on each side.



10. Trimming the headrail

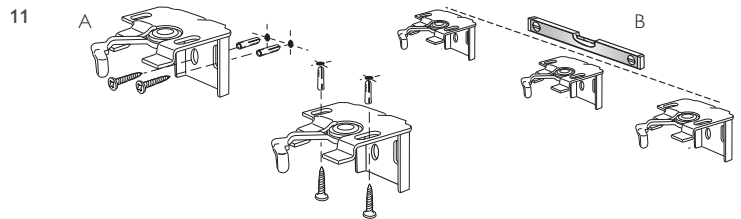
Tools required are a hacksaw and Phillips screw driver.

- 10.A Loosen the end cover retaining screw, slide and remove end cover from rail.
- 10.B Loosen the cord guide retaining screw located underneath the rail.
- 10.C Slide cord guide and housing further up the headrail to desired position. Re-lock the cord guide retaining screw.
- 10.D Insert the trimming aid into the headrail over the bar to your required trimming position.
- 10.E Using the edge of the insert as a guide, carefully trim the headrail with a fine toothed hacksaw, cutting through the inner bar as you do so.
- 10.F Remove the trimming aid. Unscrew and reposition the centre cord guide if needed. Re-secure the guides. Should you wish the blind to draw from the left hand side - see points 16 and 17 overleaf before re-securing the cord guides.



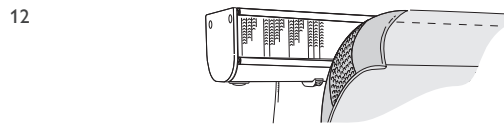
11. Fixing the cam supports

- 11.A The cam supports are designed for face or top fixing to frame, wall or ceiling.
- 11.B Mark through the screw holes the position for the cam supports making sure they are level and in line, check with a spirit level.
With the cam supports removed, drill each cam support screw position. Fix cam supports into place using screws provided, check alignment and level as you go. Use the wall plugs provided for plaster and masonry walls. We recommend for plaster walls a wooden batten be secured first.



12. Attaching blind to the headrail

Line up the blind/loop tape with the hook tape on the headrail and press firmly to secure the blind in place.



13. Cording the blind

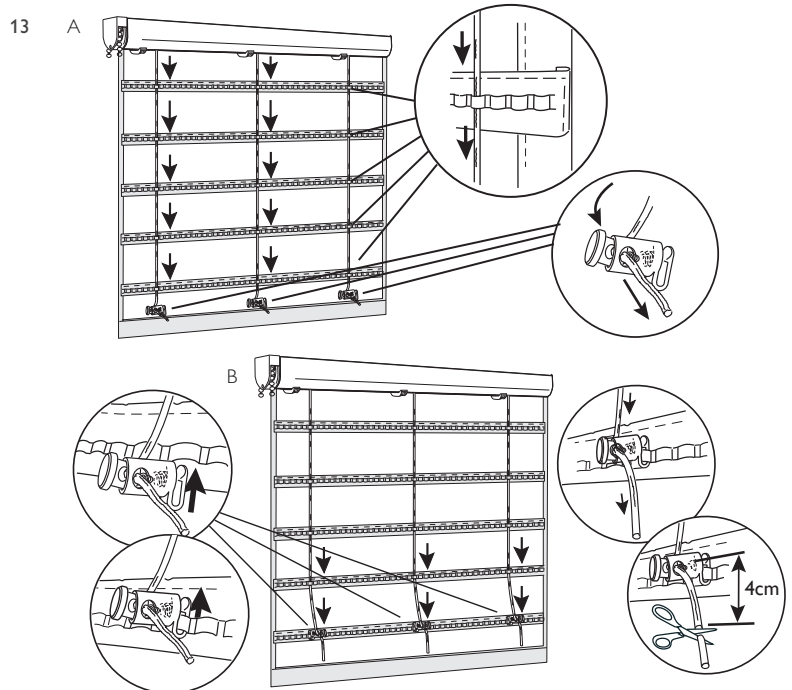
For ease of assembling the headrail is pre-corded.

- 13.A Working vertically from where each cord will drop from the cord guides, thread the cord through the pocket tape. After the last row of pocket tape thread a hook on cord toggle onto each cord.
- 13.B Using an upward motion as shown, thread the hook on cord toggle into the last row of pocket tape.

Do not allow the cords to become twisted.

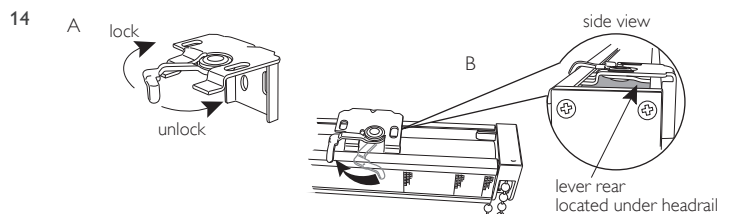
With the blind held in a level, vertical position, adjust the hook on cord toggles so that equal tension is held on each and they are level. Trim any excess cord at a distance of 4cm from the hook on cord toggles. **Do not Knot the cords.**

Should the cords ever become detached please ensure when replacing that they are aligned vertically and that the hook on cord toggles have equal tension on each and they are level.



14. Hanging the headrail

- 14.A With the cam supports in the unlocked position, mount the headrail onto the supports by resting the front lip of the headrail onto the front of the supports.
- 14.B Secure by sliding the lever on the cam supports into the locked position.



15. Mounting the chain safety guide

Read these instructions carefully before installing and using the chain safety guide.

Children can be strangled if the chain safety guide is not installed correctly. Use of safety devices helps reduce the risk of strangulation but cannot be considered entirely fool proof.

15.A With the chain safety guide on the chain, mark a suitable mounting position for the chain safety guide at a point where it keeps the chain taut. **Note: The safety device shall not be installed less than 1.5m from the floor.** It is essential that the chain safety guide is installed at the maximum distance possible from the control mechanism to prevent the looped chain becoming slack.

15.B Use appropriate fixings to mount the chain safety guide, depending on the surface to which the device is being fitted.

Children can strangle if this safety device is not installed. Always use this device to keep cords or chains out of reach of children.

16. Converting to left hand draw - untrimmed headrail

16.A Unscrew, slide and remove the end cover and chain pulley.

16.B Slide the end cover and chain pulley into the opposite ends of the headrail from previous. Tighten the screws to secure.

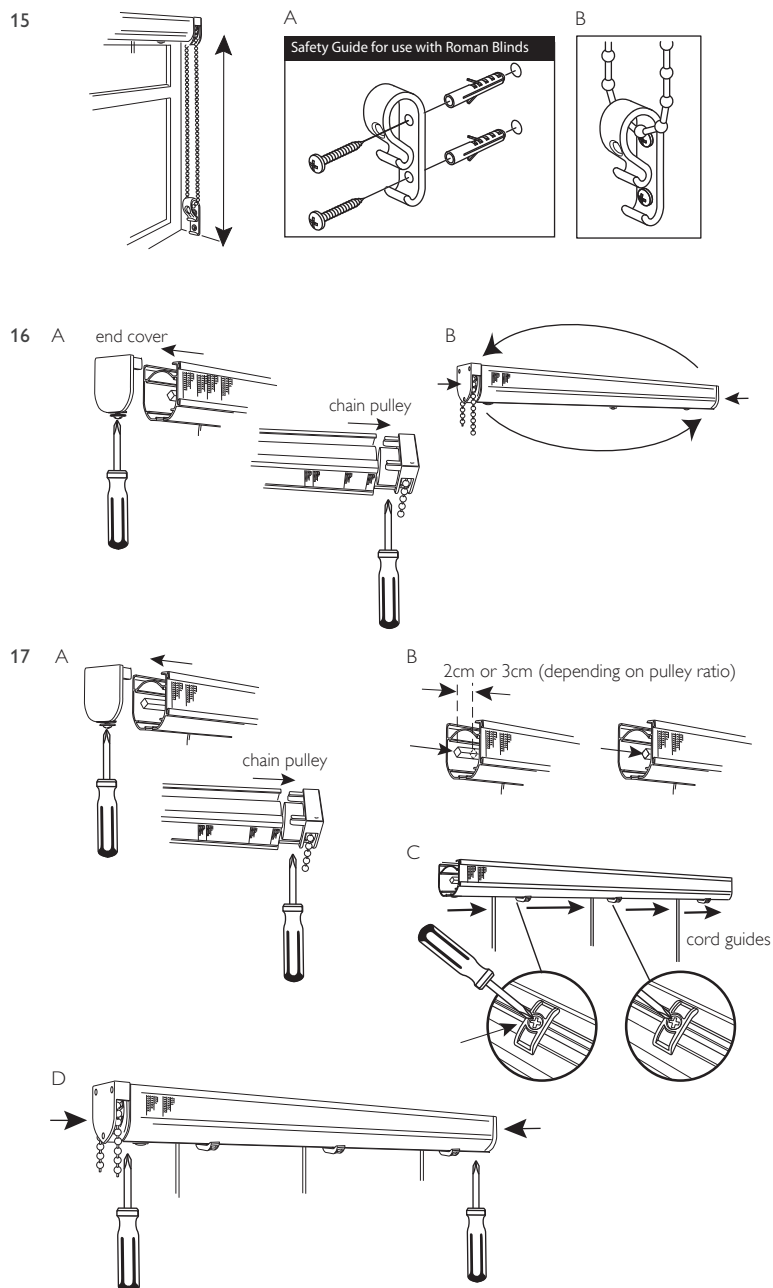
17. Converting to left hand draw - trimmed headrail

17.A Unscrew, slide and remove the end cover and chain pulley.

17.B Slide the inner bar at the end where the chain pulley will be placed into the rail so it is at least 2cm from the rail end for 120 - 150cm, and 3cm for 150 and 180cm rails.

17.C Loosen the cord guide screws. Reposition so that they align with the cord positions on the blind. Secure the cord guide screws.

17.D Slide the end cover and chain pulley into the opposite ends of the headrail from previous. Tighten the screws to secure.



WARNING!

Please read all safety warnings and installation information fully before installation.

Young children can be strangled by loops in pull cords, chains, tapes and inner cords that operate the product.

To avoid strangulation and entanglement, keep cords out of the reach of young children.

Cords may become wrapped around a child's neck.

Move beds, cots and furniture away from window covering cords.

Do not tie cords together. Make sure cords do not twist and create a loop.

The safety guides should be positioned high enough to be out of reach of small children yet accessible to adults.

All safety guides for blinds need to be fixed to a solid surface using a screw and fixing suitable for the wall or surface material. These items should not be glued or stuck in place.

The head rail shall not be installed less than 1.5m from the floor.

For further information go to: www.makeitsafe.org.uk

Keep out of the reach of young children.

Small parts - choking hazard.

John Lewis Partnership
171 Victoria Street
London SW1E 5NN
johnlewis.com

Batch code:

Retain these instructions for future reference.

