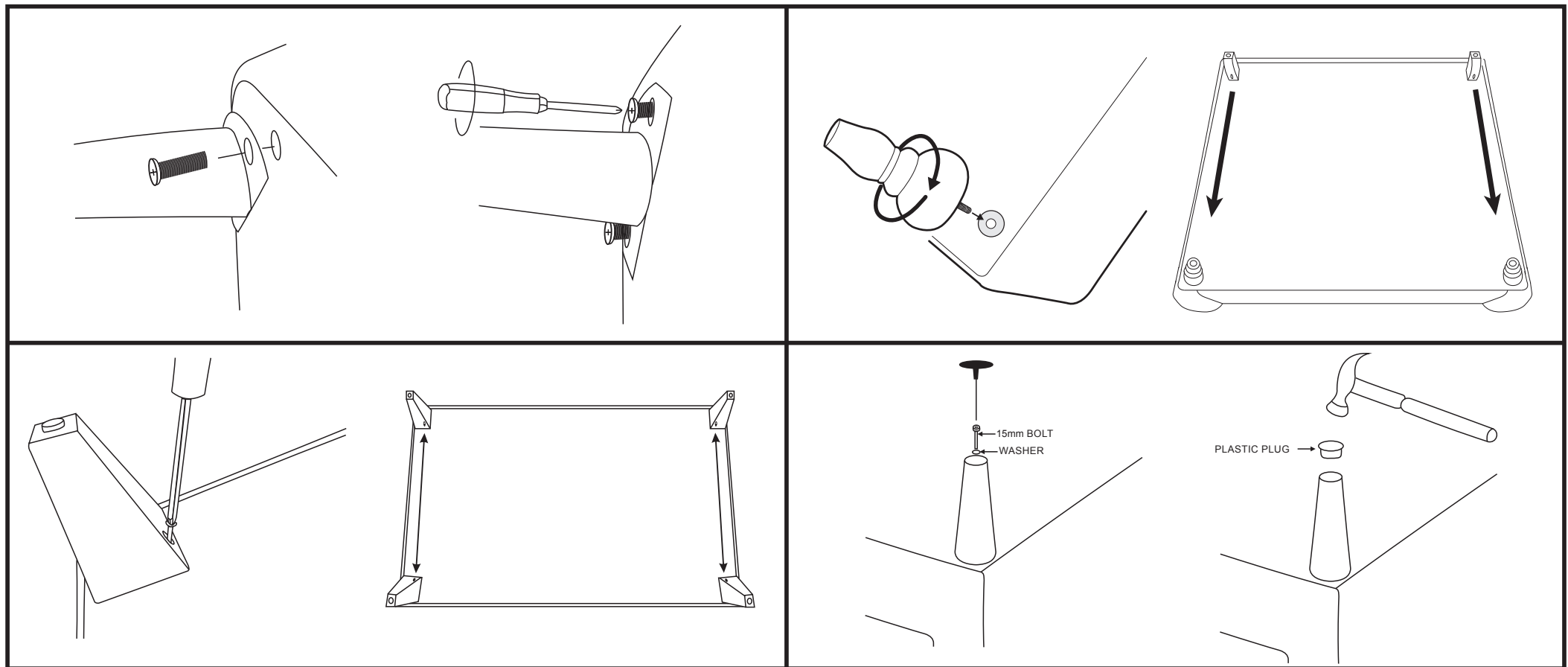
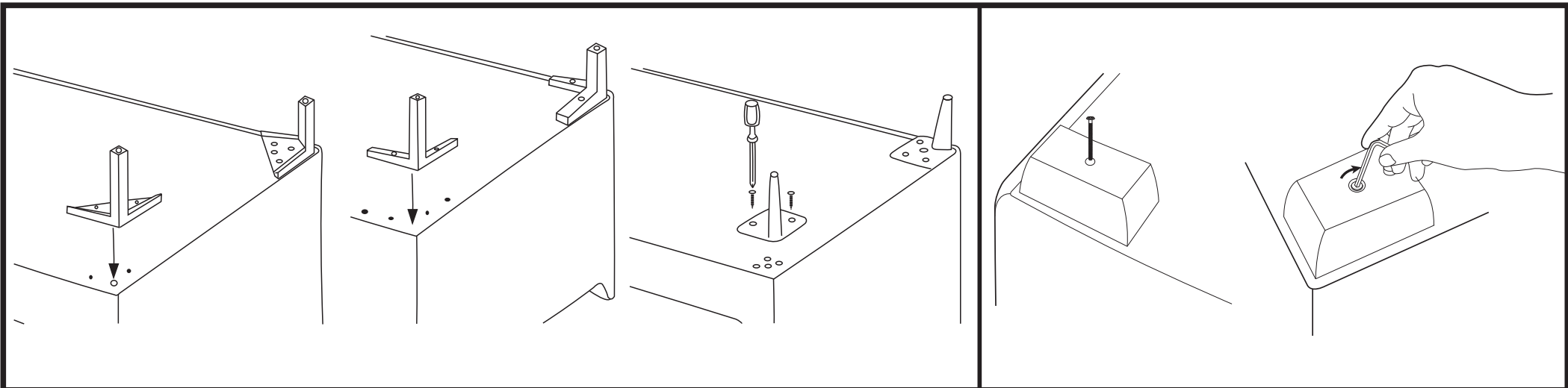


ASSEMBLY INSTRUCTIONS - LEG ATTACHMENT

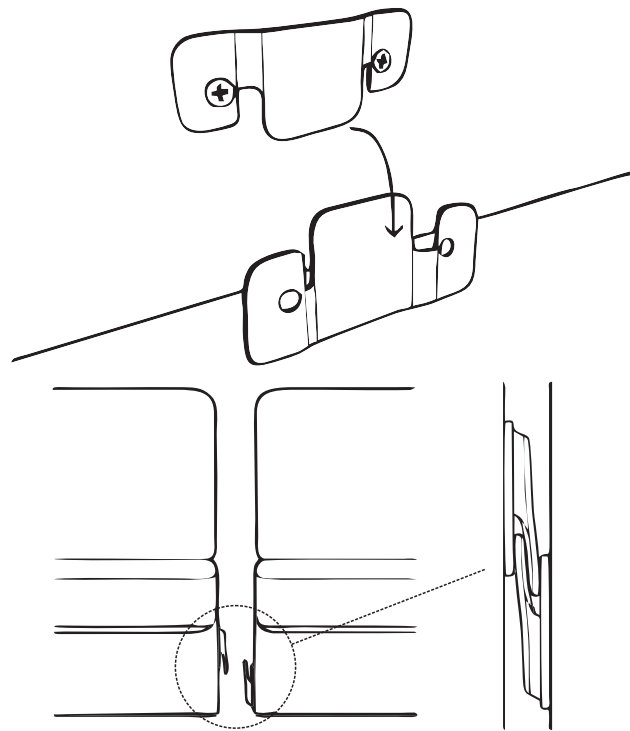


1. Attach legs using the correct method from one of the following images.
2. If necessary, use washers and/or felt pads to stabilise your legs on uneven flooring.
3. Prevent thread damage by screwing straight into the hole and not at an angle.
4. Please use your hands to tighten; avoid using any power tools.





CONNECTING CLIPS:



CROCODILE CLIPS:

