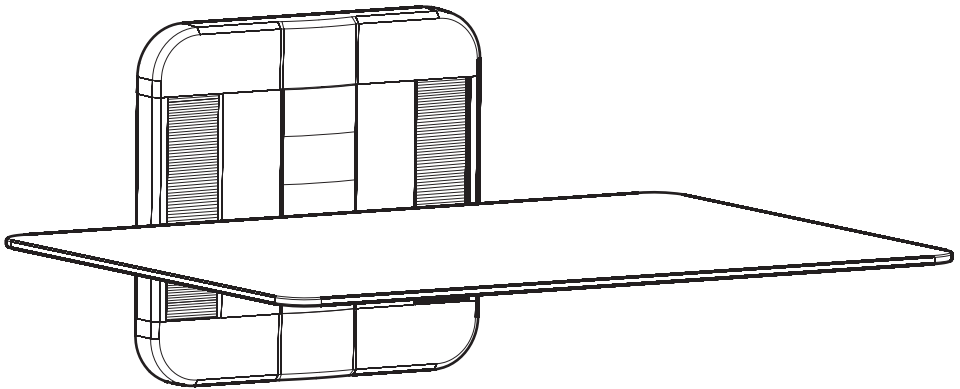


JMS1100

Leaflet No. 463456 rev00



*Read through **ALL** instructions before commencing installation.
If you have any questions about this product or issues with installation
contact the customer services helpline before returning this product to
the store. See jl.avfgroup.com/p/jms1100 for more information.*

CUSTOMER SERVICES HELP LINE NUMBER:

01952 670009

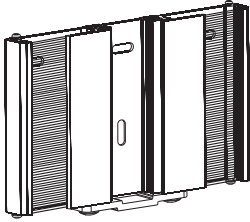
0870 0609777



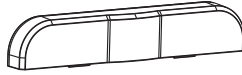
AVF Group Ltd. Road 30. Hortonwood Ind Est, Telford, Shropshire, TF1 7YE, England

1 Boxed Parts

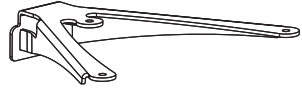
(A) - x1



(B) - x2



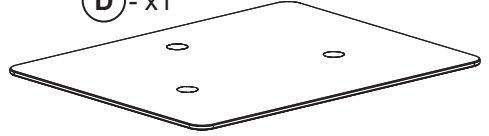
(C) - x1



(E) - x3



(D) - x1



(U) - x2



(F) - x3

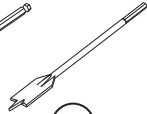


M6x8mm Screw

Wall Fixings: Parts to attach to the wall (type of wall will determine which fixings you require).



(G)



(H)



(I) - x2



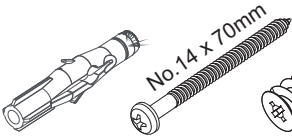
(J) - x2



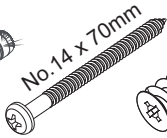
(K) - x2



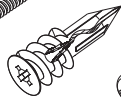
(L) - x1



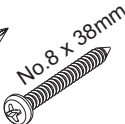
(M) - x2



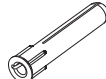
(N) - x2



(O) - x1



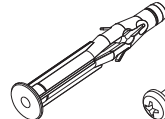
(P) - x1



(Q) - x1

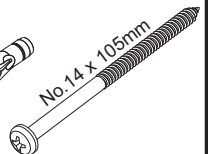


(R) - x1



(S) - x2

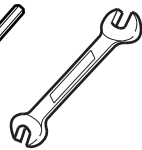
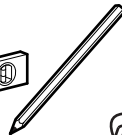
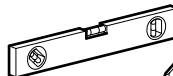
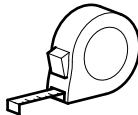
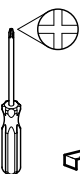
Long Wall Plug



(T) - x2

Long Screw

2 Tools Required

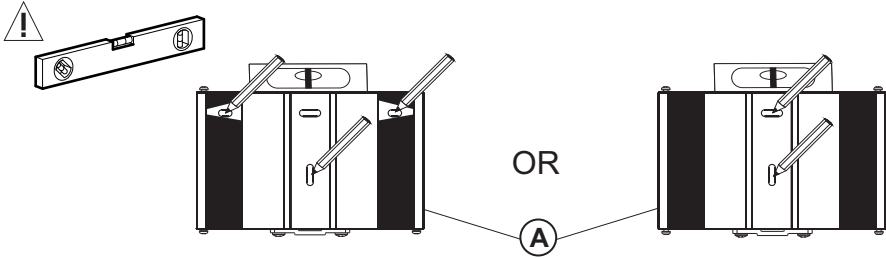


3 Planning & Preparation

Determine the wall type that you have (i.e. Brick/Stud/Plasterboard/Sheetrock).
Ensure the drilling area is free from mains services (Gas/Electric/Water).
Drill three 3mm pilot holes to verify the wall type and select the appropriate fixings (See Section 5).

4 Marking Wall For Drill Points

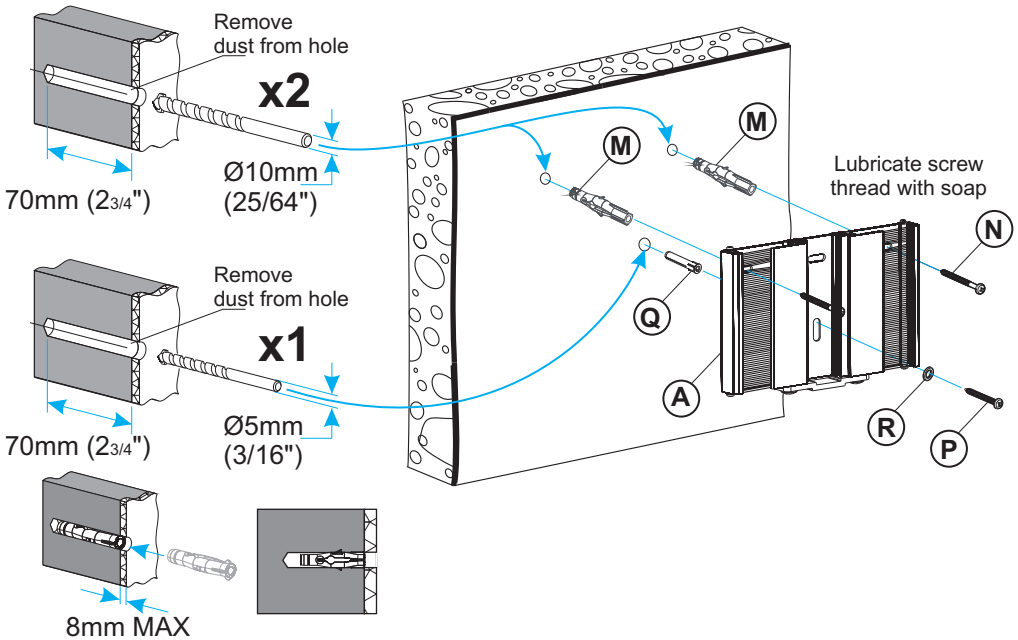
Use the wall bracket (A) as a template and position it on your wall. Ensure the bracket is level and mark the three drill points with a pencil.



5 Fit Bracket To Wall

Use the correct fixings for your wall type. Mixing fixing types may be required for installations that span different wall types. DO NOT OVER TIGHTEN SCREWS.

Solid Wall

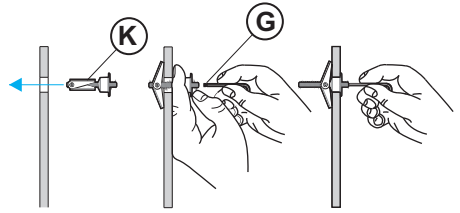


Plasterboard/ Sheetrock

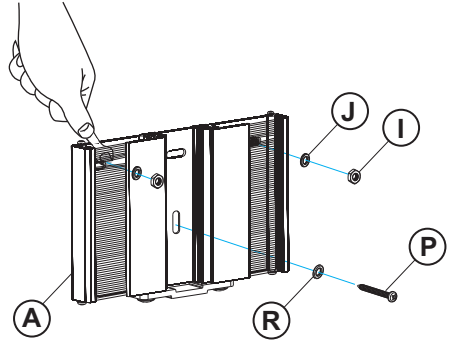
Ø18mm
(3/4")

x2

40mm (1 9/16")
Min gap



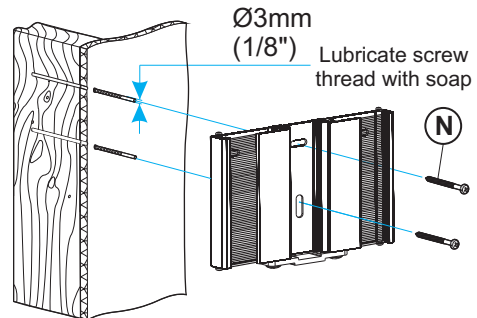
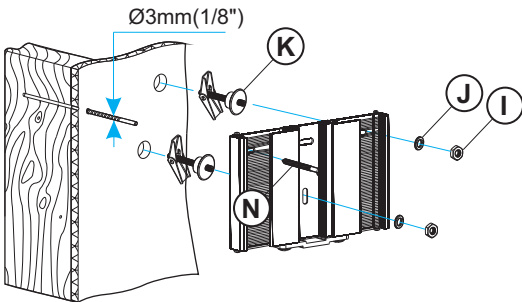
Turn until secure
Do not overtighten



Wood Stud

Option 1

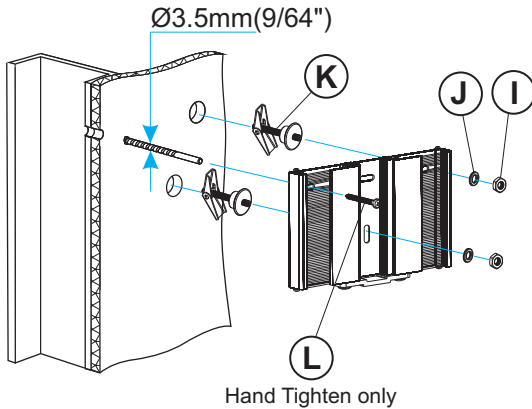
Option 2



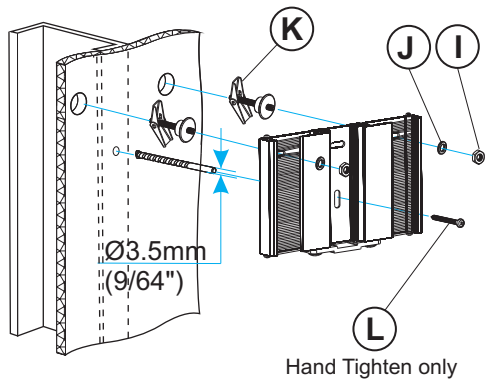
Only one fixing will be in the wood stud.
The other fixings will be in
plasterboard/ sheetrock(see above).

Metal Stud

Option 1

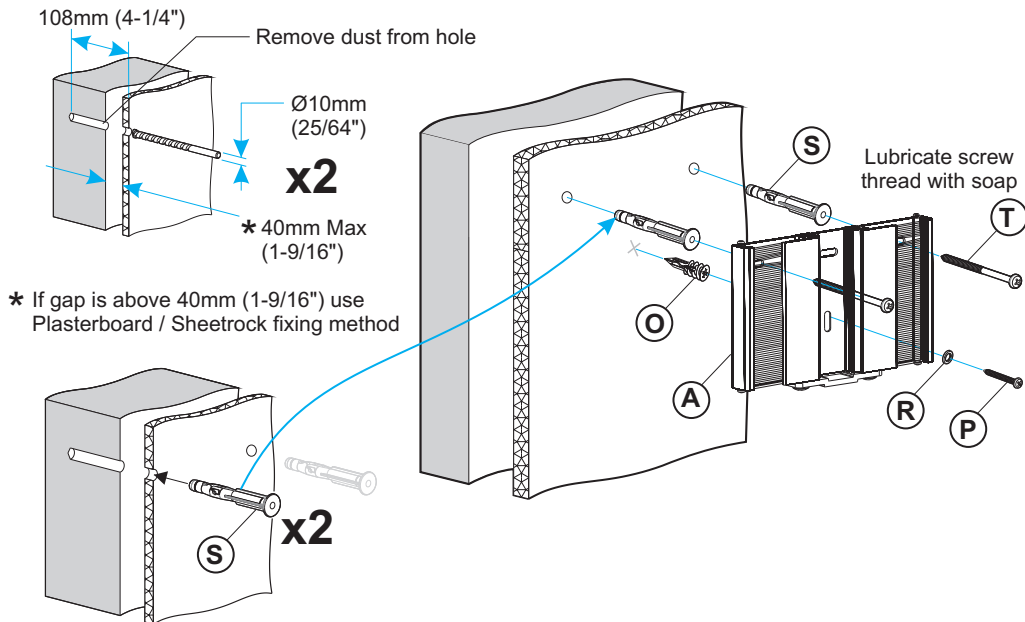


Option 2

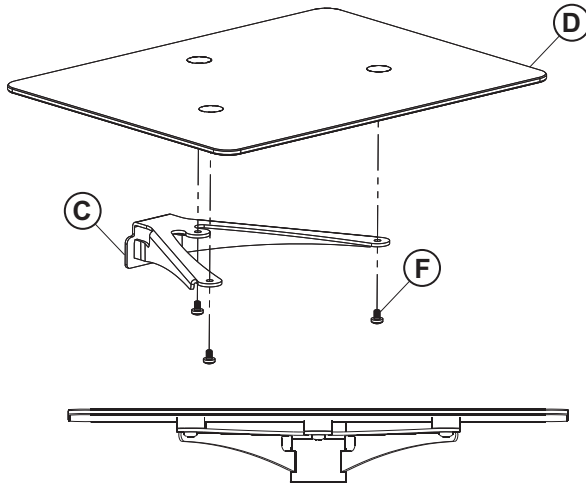


Only one fixing will be in the metal stud. The other fixings will be in plasterboard/ sheetrock.

Dot & Dab



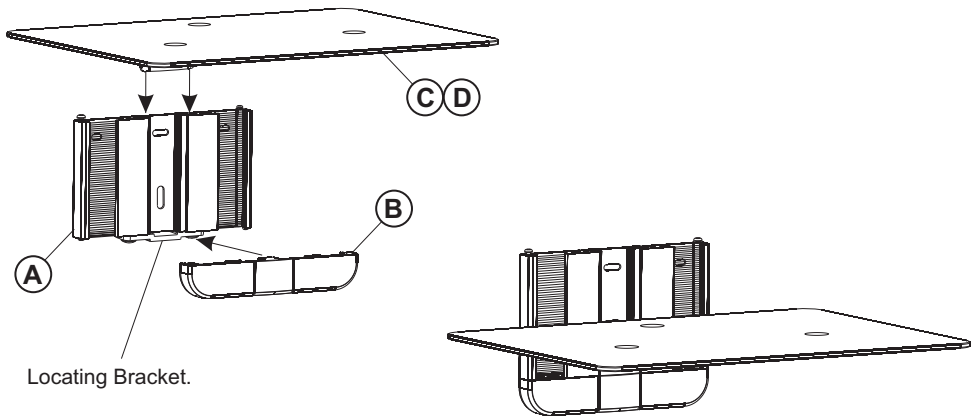
6 Shelf Assembly

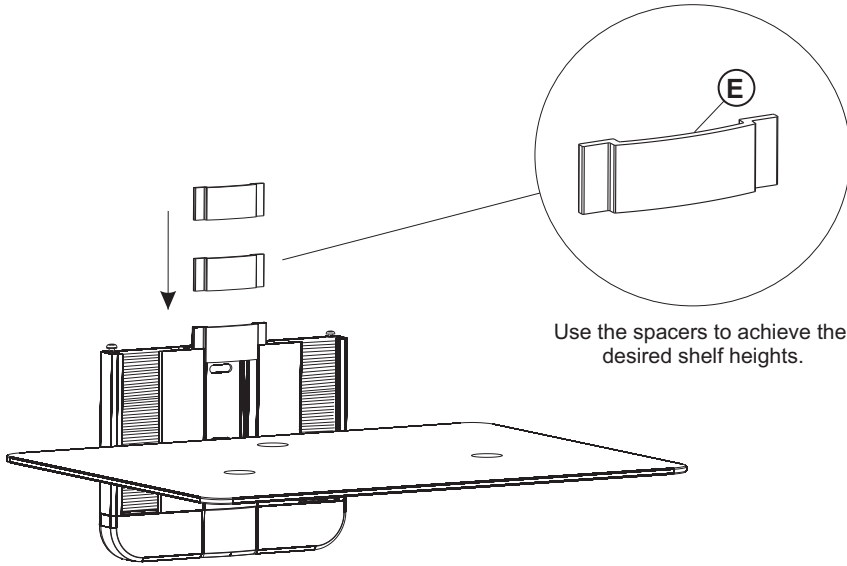


7 Assemble

Select desired shelf and spacer configuration, ensuring at least one spacer (E) is at the top.

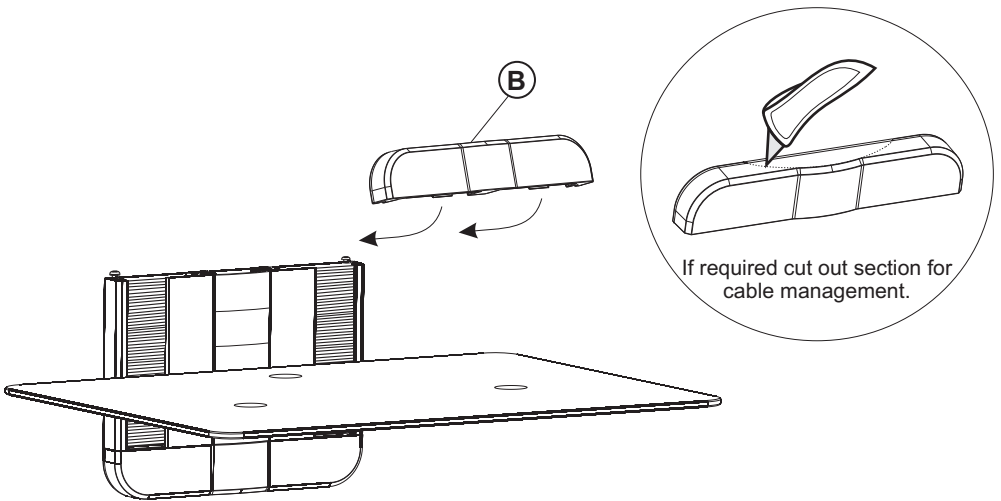
Ensure locating bracket is securely in place & slide assembled shelf unit (C,D) into the wall bracket.



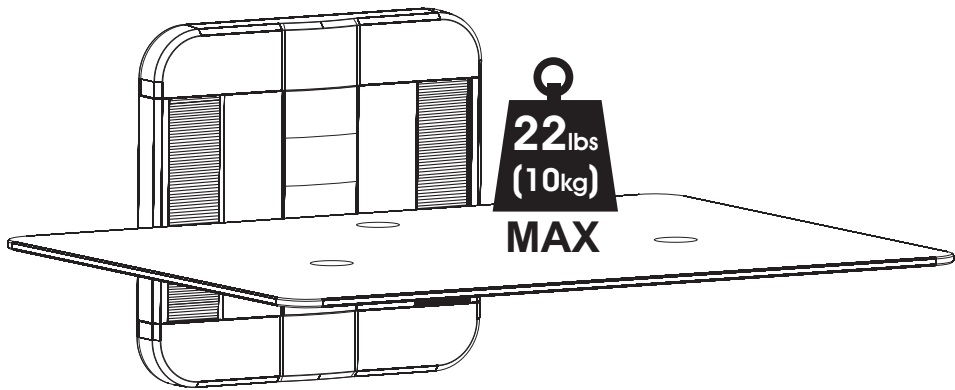


Use the spacers to achieve the desired shelf heights.

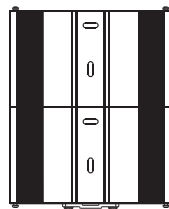
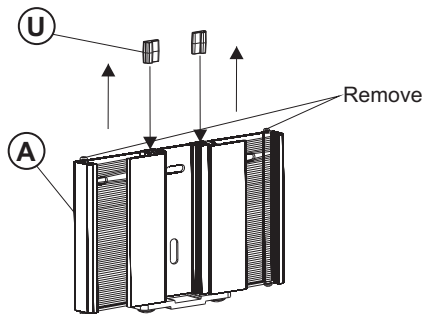
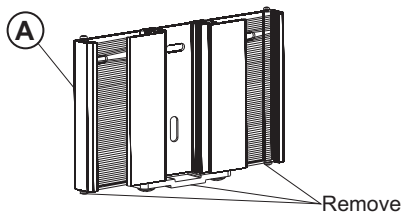
8 Final Assembly



If required cut out section for cable management.

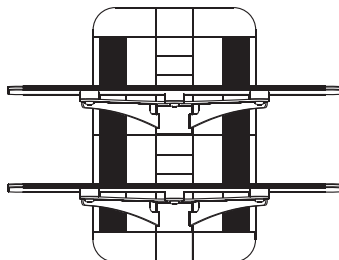


9 Additional Shelf Location



Mark the wall for drill points following sections 4 and 5.

x2



Repeat assembly using sections 6, 7 and 8.

x2