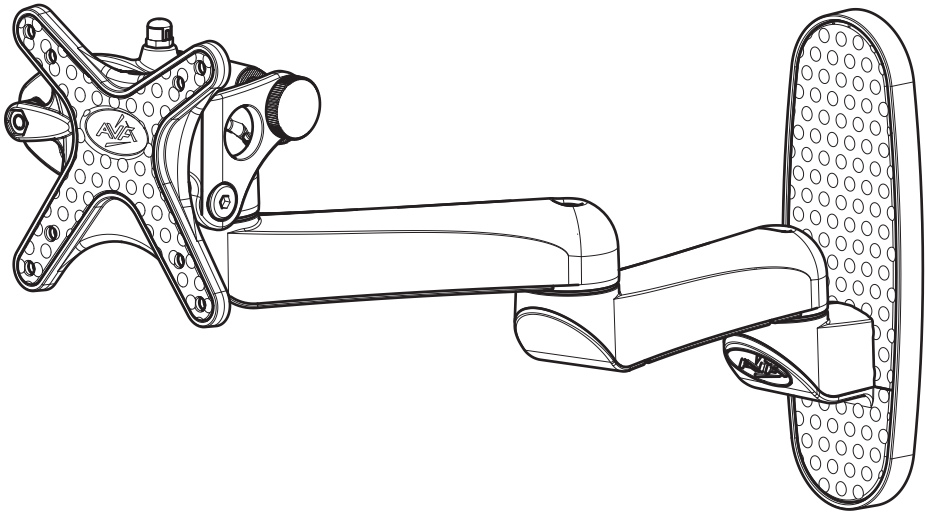


JZL104

Leaflet No. **463444** rev00



Read through **ALL** instructions before commencing installation.
If you have any questions about this product or issues with installation
contact the customer services helpline before returning this product to
the store. See jl.avfgroup.com/p/jzl104 for more information.

CUSTOMER SERVICES HELP LINE NUMBER:

01952 670009

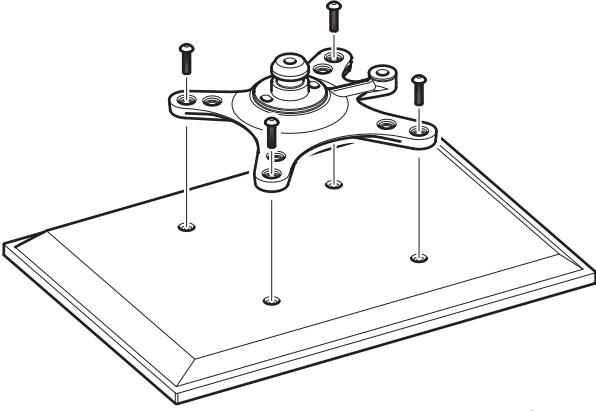
0870 0609777



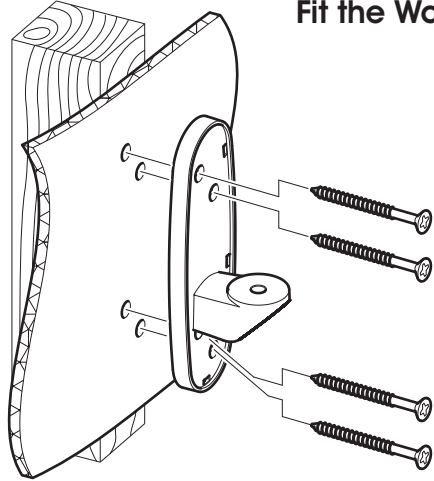
AVF Group Ltd. Road 30. Hortonwood Ind Est, Telford, Shropshire, TF1 7YE, England

Assembly Overview

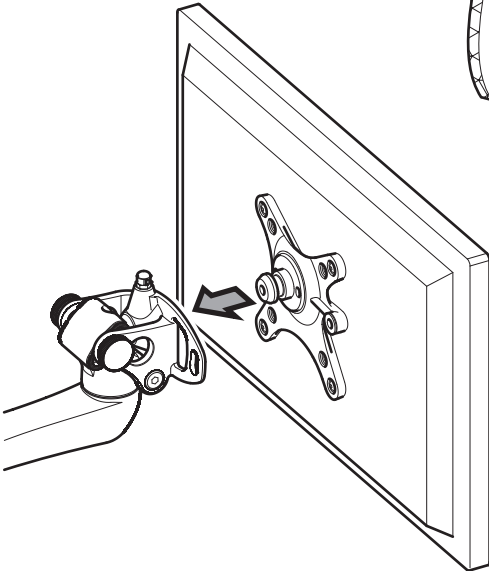
Fit the Mounting Plate



Fit the Wall Bracket



Attach the TV



Index

1 Measure the TV fixing holes Width and Height

2 Fitting the TV Mounting Plate

3 Fitting the Wall Bracket

4 Assemble the Bracket

5 Fitting the Top and Bottom Covers

6 Attach the TV

7 Fitting the Arm Covers and Cable Management

8 TV Levelling and Tilt

Retain all packaging in case the bracket needs to be returned.

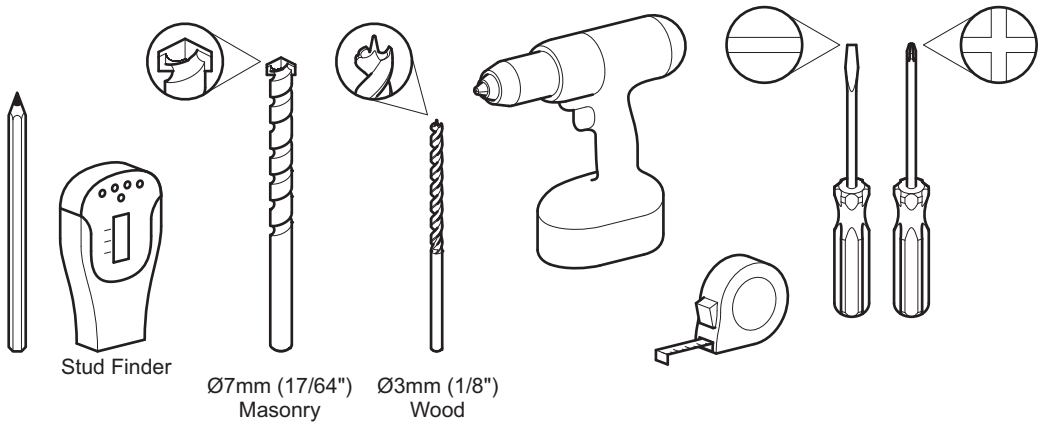
Contents may vary from photography/ Illustrations.

You will not need all these parts, so expect there to be some left over depending upon the specification of wall.

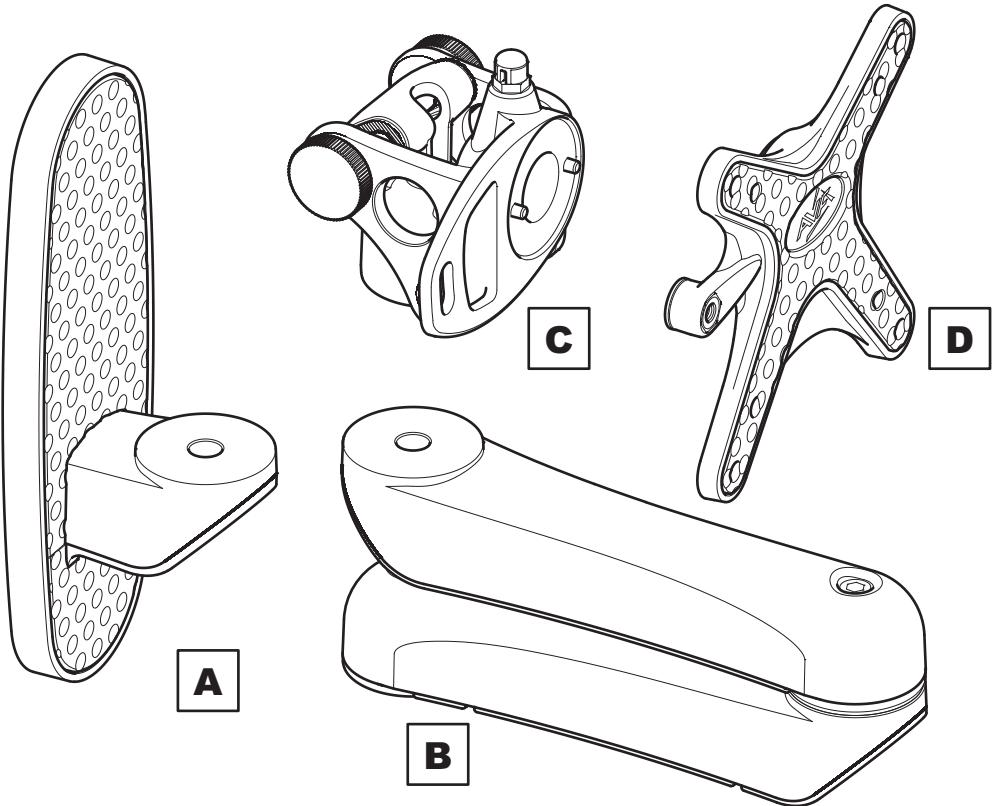
This product is intended for indoor use only. Use of this product outdoors could lead to failure and personal injury.

It is the responsibility of the installer to ensure that the mounting wall is of a suitable standard and void of any services (eg gas, electricity, water etc). AVF accept no responsibility for any damage or loss caused by installing this product in a sub standard wall.

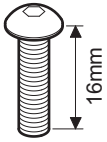
Tools Recommended



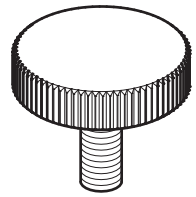
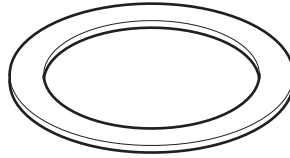
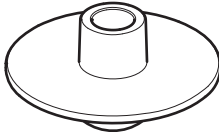
Boxed Parts



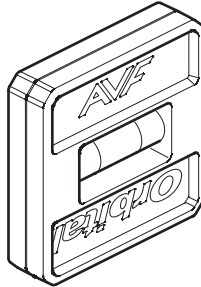
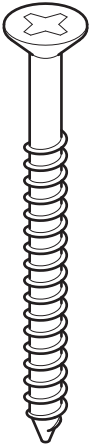
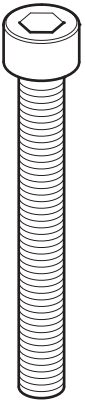
TV Screws



M4



NYLON



2.5mm



3mm

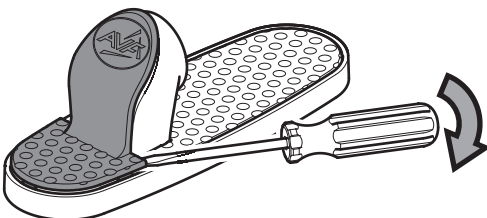


5mm

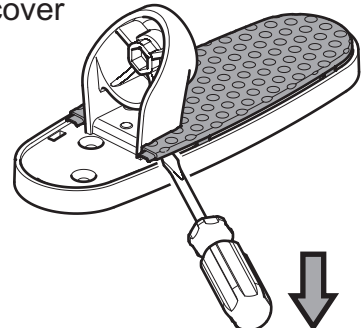


Before you begin

i Remove bottom cover

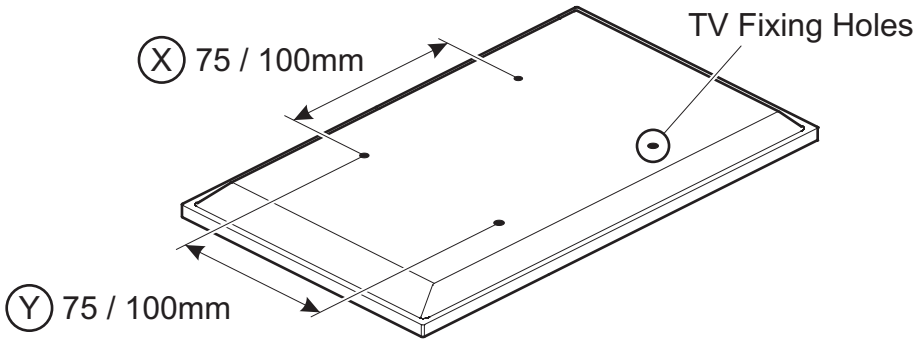


ii Remove top cover

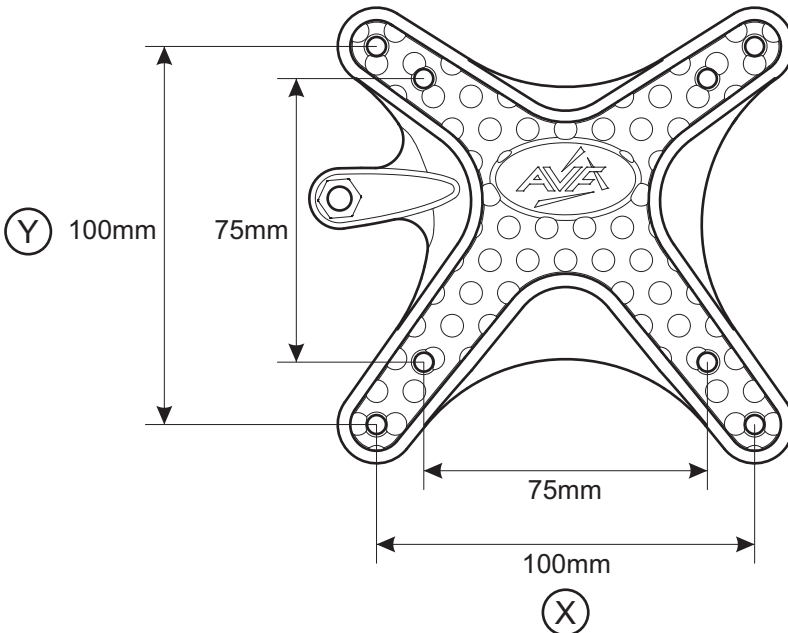


Keep top and bottom covers until step 5.

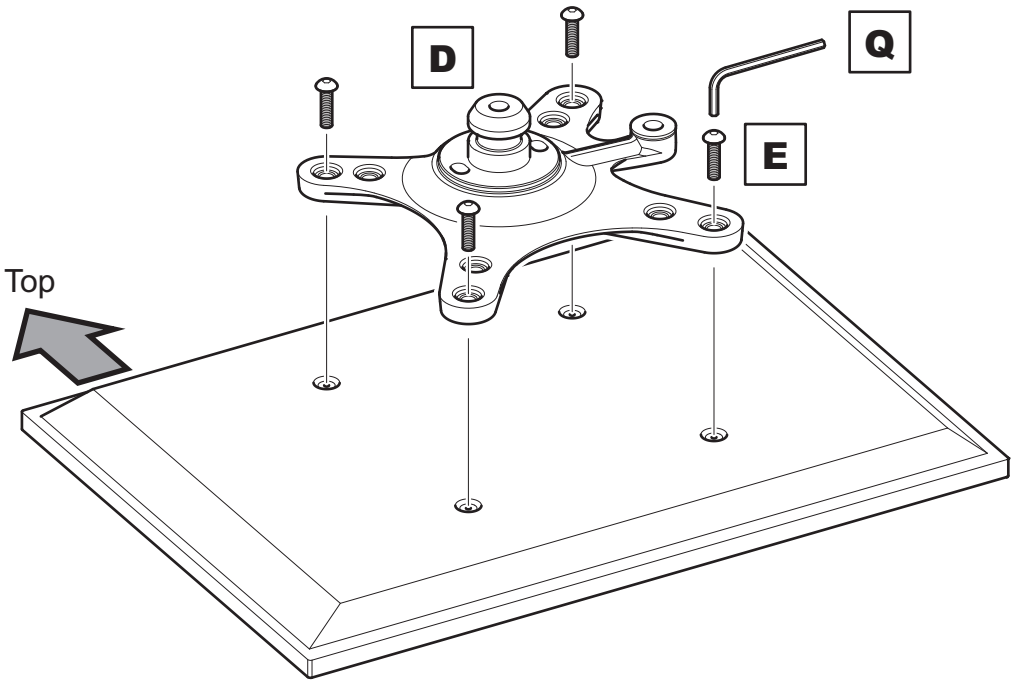
1 Measure the TV fixing holes Width and Height



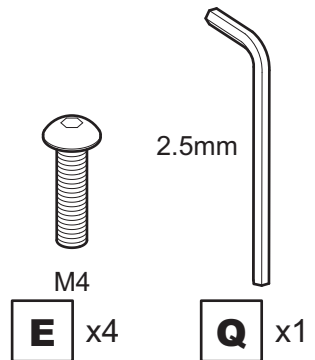
If \textcircled{X} or \textcircled{Y} are not equal to 75 or 100mm STOP installation now and contact the customer help line.



2 Fitting the TV Mounting Plate

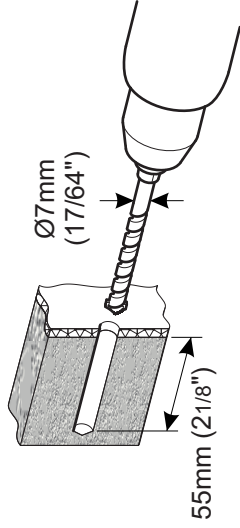
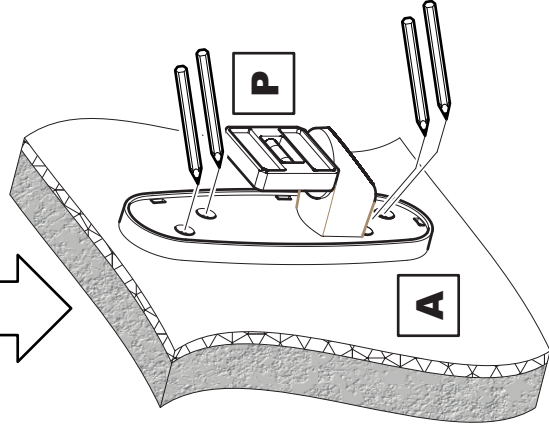


If your TV has an irregular back or if you have any issues fitting to the back of your TV with the screws supplied, please call the customer services helpline **01952 670009 / 0870 0609777**



3 Fitting the Wall Bracket

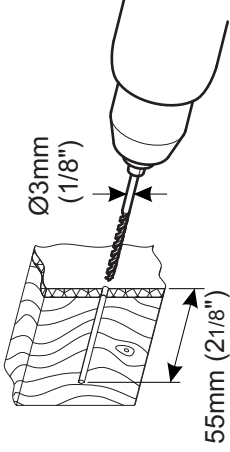
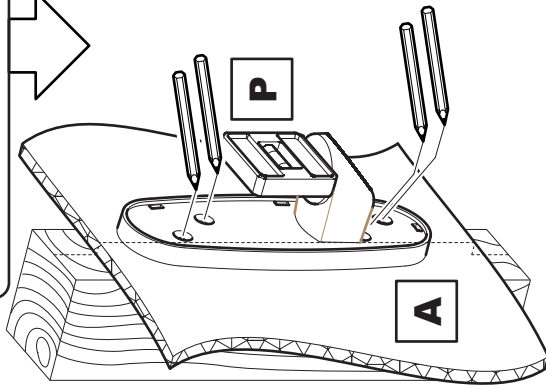
Solid Wall



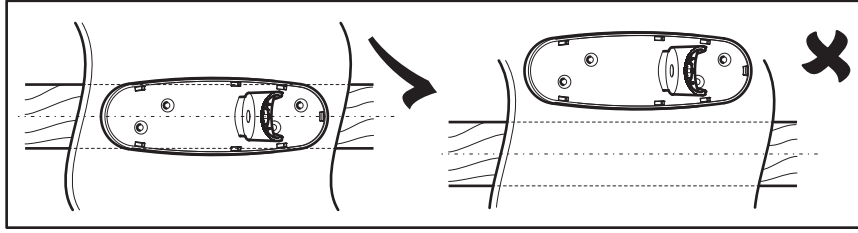
Remove dust from hole

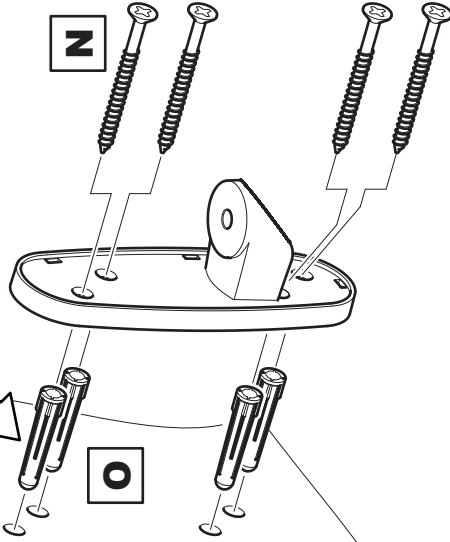
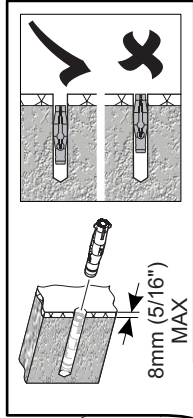


Wood Stud



Ensure bracket is in the centre of the wood stud



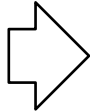


 Lubricate screw
thread with soap

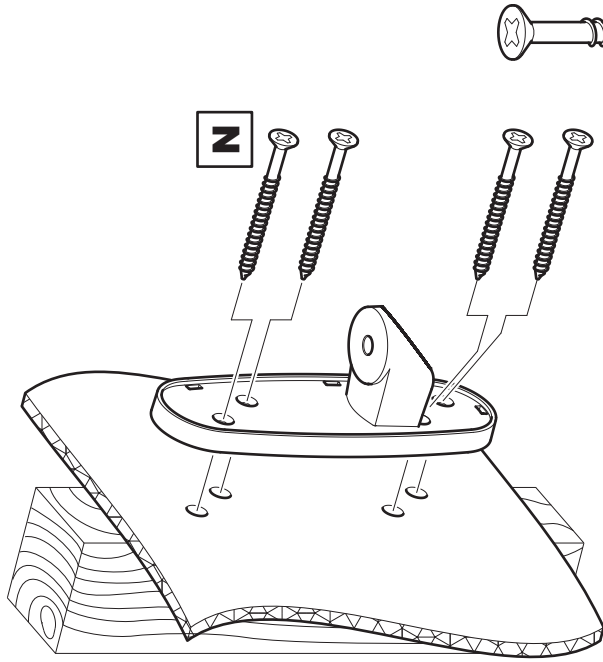
 **DO NOT** over tighten screws
Tighten screws by hand only

N x4

O x4



 Lubricate screw
thread with soap

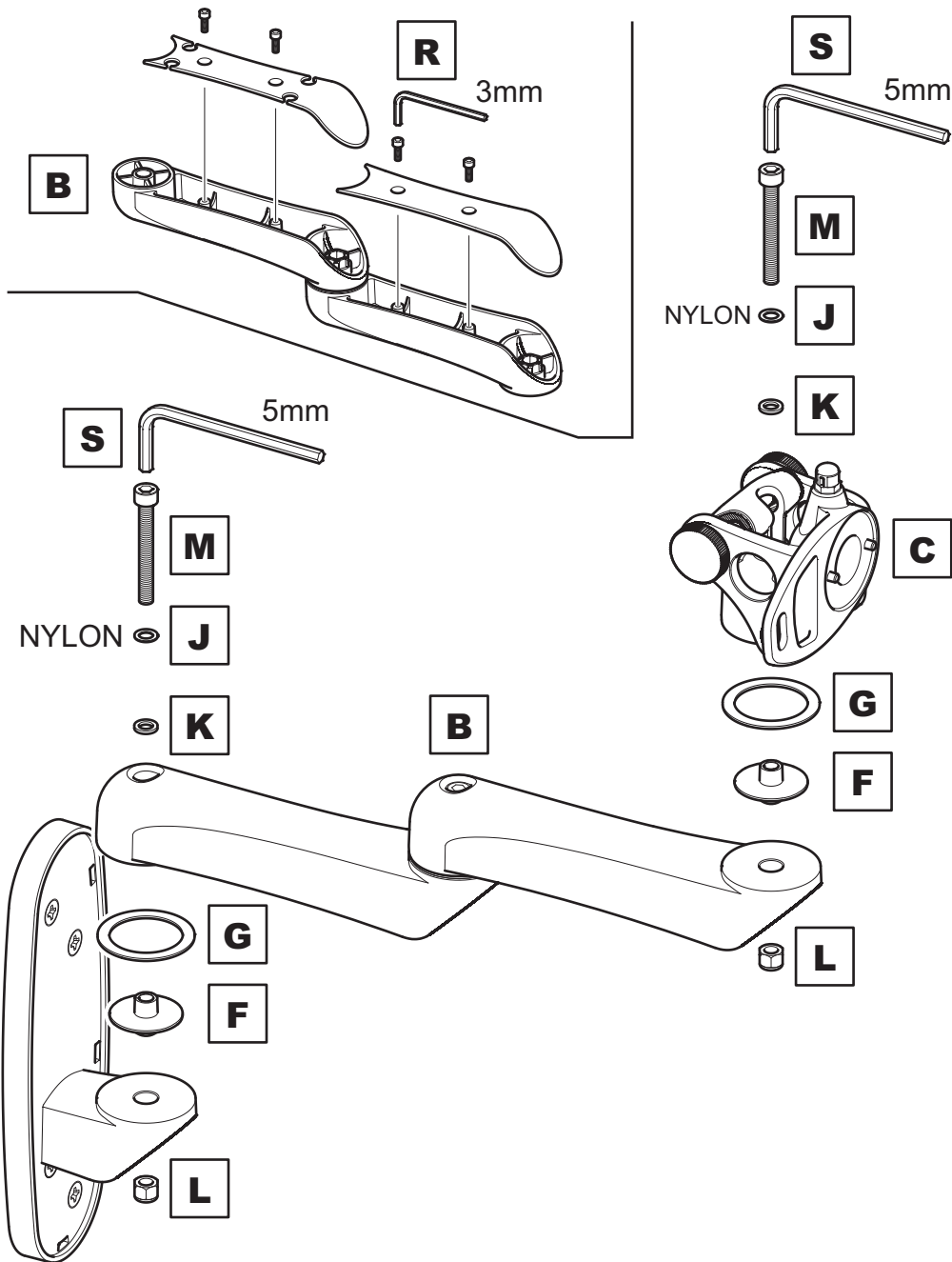


 **DO NOT** over tighten screws
Tighten screws by hand only

N x4

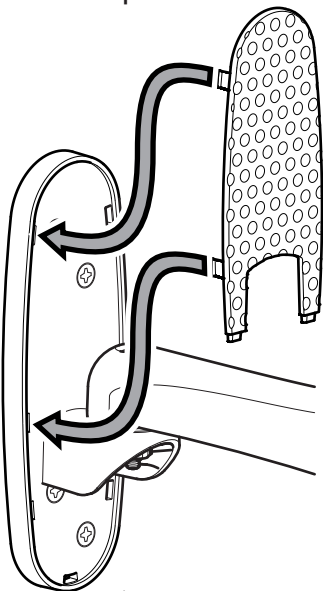
4 Assemble the bracket

Before you assemble the bracket, please remove the 2 arm covers and screws from arm **B** and keep until step 7.

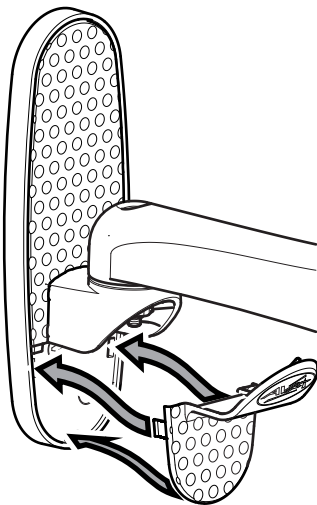


5 Fitting the Top and Bottom Covers

i Fit the top cover

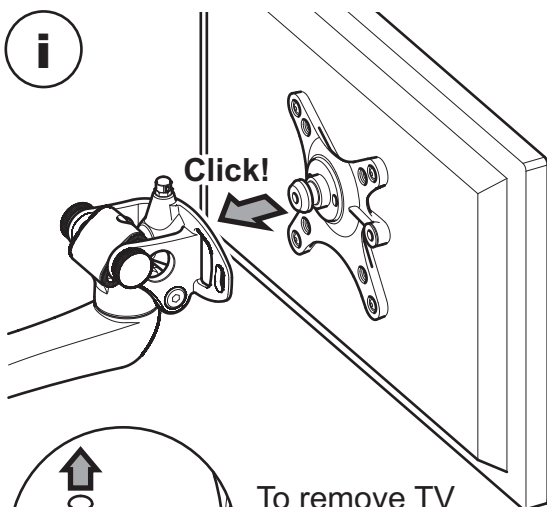


ii Fit the bottom cover

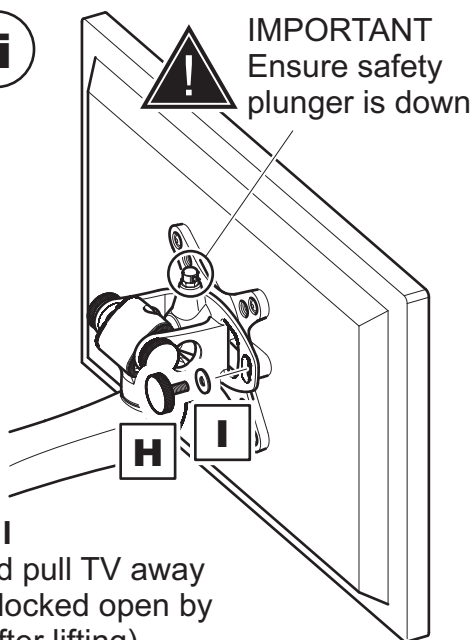


6 Attach the TV

i



ii

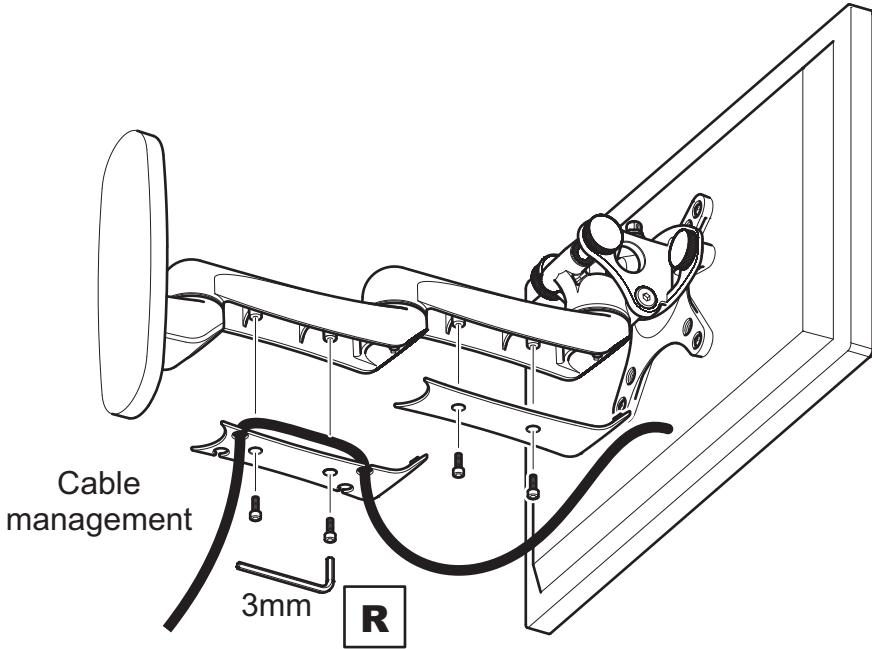


To remove TV

i. Remove parts H and I

ii. Lift safety plunger and pull TV away
(Safety plunger can be locked open by turning anti clockwise after lifting)

7 Fitting the Arm Covers and Cable Management



8 TV levelling and Tilt

