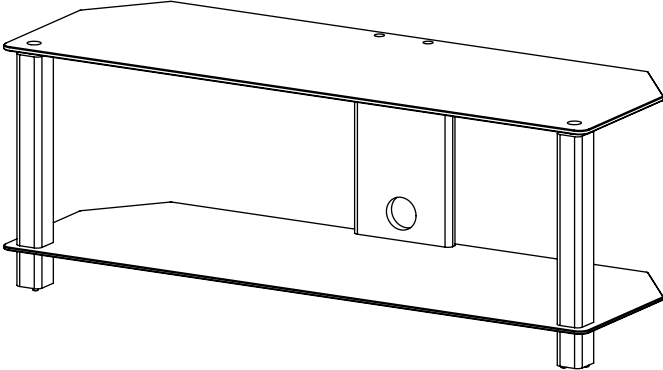


John Lewis

Instruction manual

JL WG 1200/15

Television stand



Important safety information

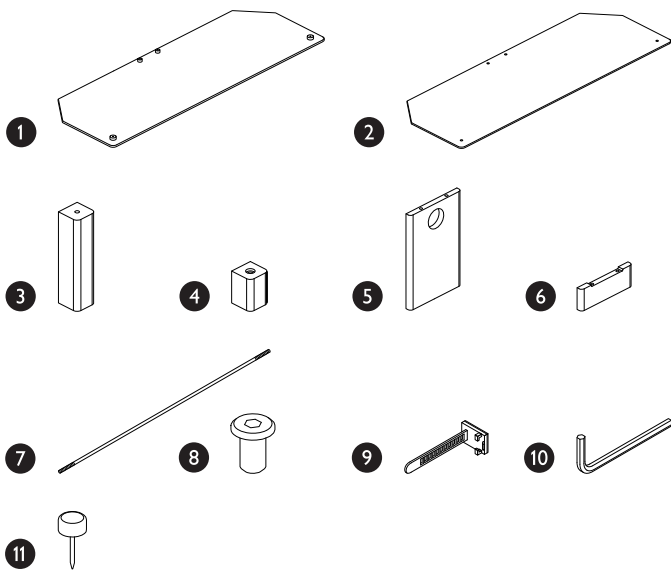
Thank you for purchasing this television stand. Please read the instructions and important information carefully to ensure safe and satisfactory use of this product.

1. Before starting assembly please take time to familiarise yourself with the instructions and the components listed in this manual, as this product could be unstable if incorrectly assembled.
2. Do not place hot or cold items against or in close proximity to any surface on this product.
3. Do not strike any glass with hard or pointed items.
4. When cleaning glass or high gloss panels use a damp cloth or leather with washing up liquid or soft soap if necessary. Do not use washing powders or other substances containing abrasives as these may scratch the glass. Dry with a soft cloth.
5. In order to maintain a high quality finish, when cleaning metal, painted or wooden parts please use a soft cloth with a suitable furniture polish if required.
6. Do not sit or stand on this product. Do not exceed maximum load.
7. **Do not over tighten any part of this assembly.**

Note: Maximum load for this product should not exceed 70kg in total. This product must be assembled in accordance with these assembly instructions. Maximum load for top shelf is 50kg, Maximum load for other shelf is 20kg.

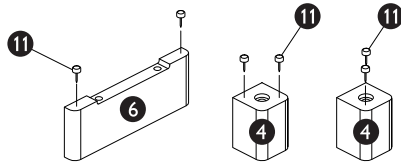
Parts list

- | | | | |
|---|----------------------|----|----------------------|
| 1 | Top glass × 1 | 7 | Threaded bar × 4 |
| 2 | Glass shelf × 1 | 8 | Barrel nut × 4 |
| 3 | Long leg × 2 | 9 | Cable management × 4 |
| 4 | Short leg × 2 | 10 | Allen key × 1 |
| 5 | Large back panel × 1 | 11 | Nail in foot × 6 |
| 6 | Small back panel × 1 | | |

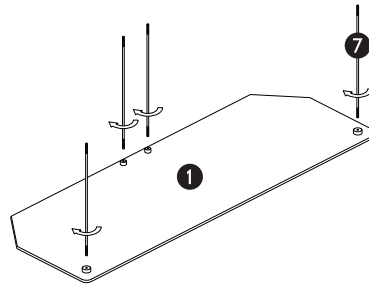


Assembly instructions

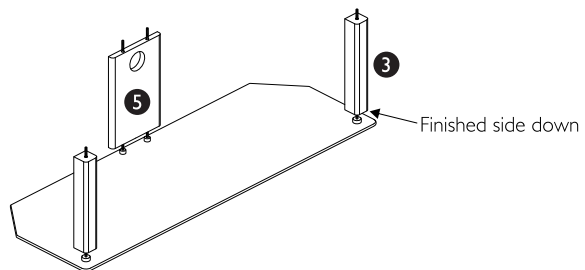
1. Insert nail in feet.



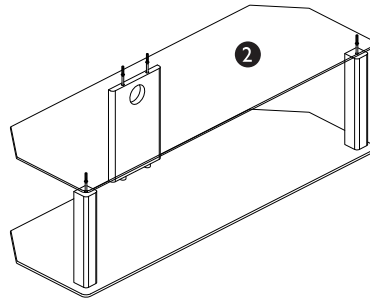
2. Place top glass upside down.



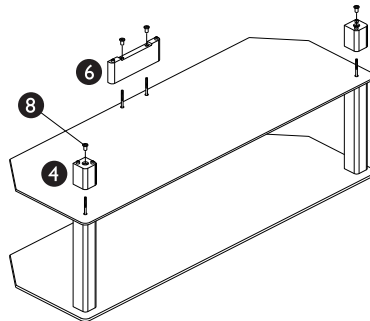
3. Place legs on panel.



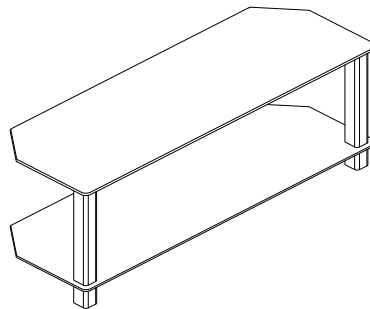
4. Place shelf.



5. Place short legs onto panel and screw barrel nuts onto all threaded bars.



6. With the help of another person turn stand right way up.
Use the cable management to keep your cables neat and tidy.



Retain these instructions for future reference.



John Lewis Partnership
171 Victoria Street
London SW1E 5NN
johnlewis.com

465778rev00