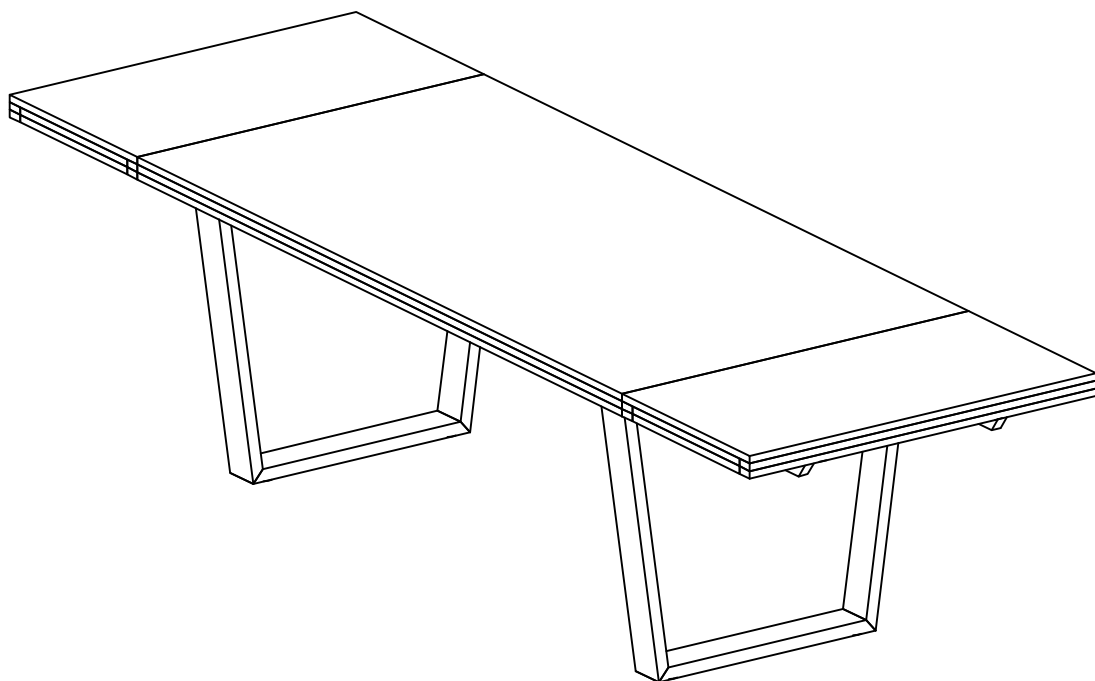


John Lewis

Calia 190-290cm Extending Dining Table, Oak
Stock number: 836 03001



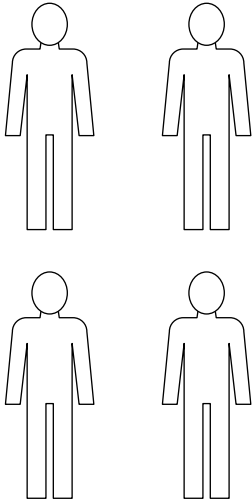
L290 x W95 x H76.3cm

Thank you for purchasing the Calia 190-290cm Extending Dining Table, Oak. Please read the instructions and warnings carefully before use, to ensure safe and satisfactory operation of this product.
At John Lewis, we are committed to making great products possible.
From our in-house Design Team, to our Buyers, we work together to bring great design to life.
Our expert Product Technologists work collaboratively with our buyers and suppliers to assure the legality, safety and quality of the product we sell.
We are all committed to designing and developing products to the highest industry standards.
We hope you are happy with your product and welcome any feedback or comments you may have.

The John Lewis Team

Time to assemble
30 Minutes

People to assemble



The image contains four simple line-art icons of a person, arranged in a 2x2 grid. Each icon consists of a circle for a head, a vertical line for a torso, and two vertical lines for legs. The icons are positioned below the text 'People to assemble'.

Important safety information

Warnings

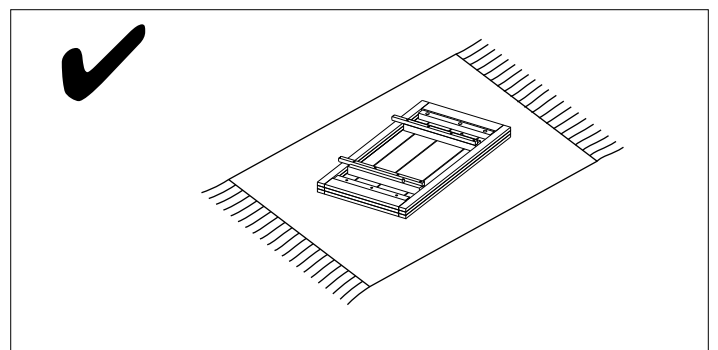
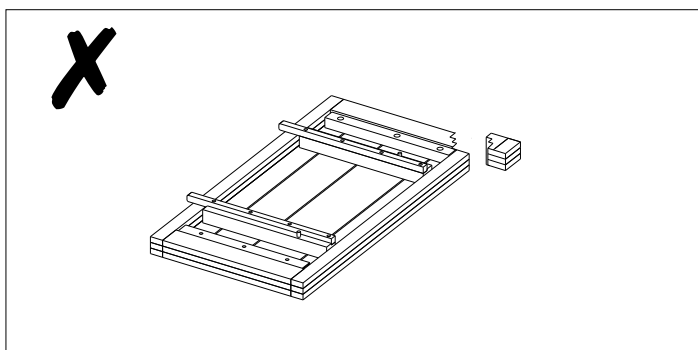
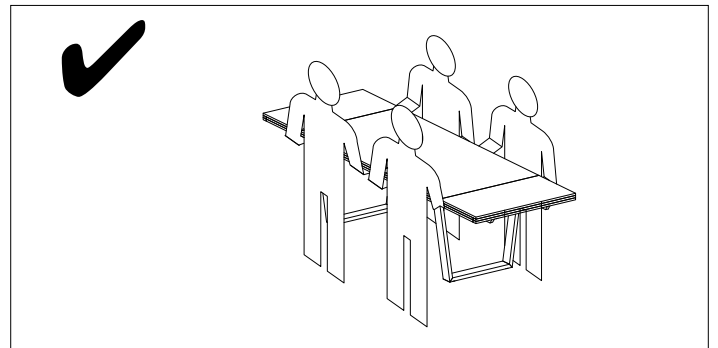
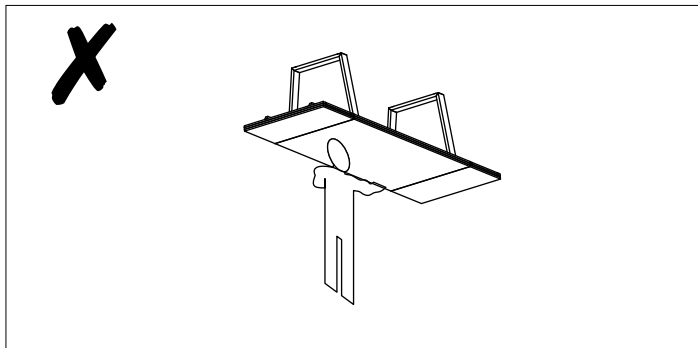
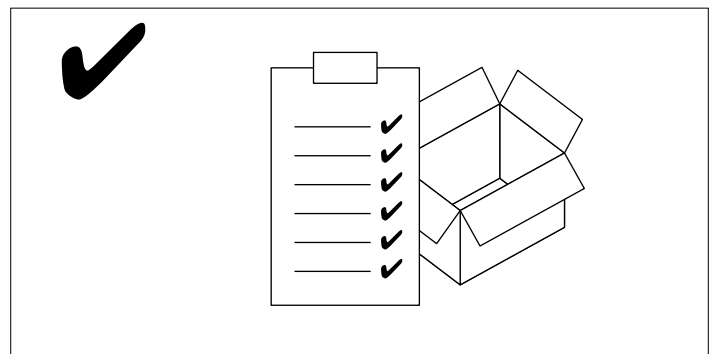
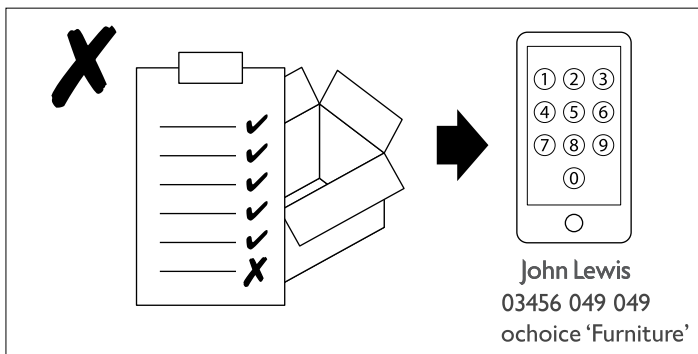
- ⚠ The product should only be used on firm, level ground.
- ⚠ Keep small parts out of reach of children.
- ⚠ Ensure the product is fully assembled as illustrated before use.

Do's

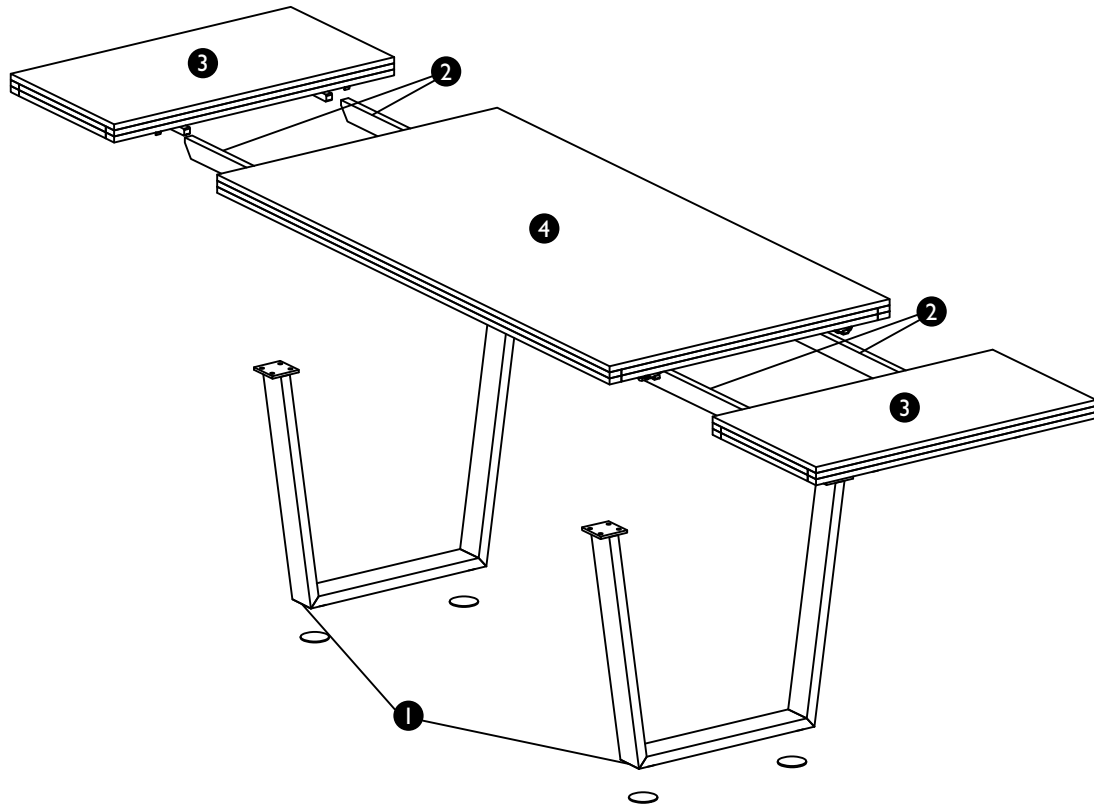
- ✓ Check the pack and make sure you have all the parts listed.
- ✓ Check all screws or bolts are tightened and inspect regularly.
- ✓ Make sure the legs remain in contact with the ground at all times.

Don'ts

- ✗ Do not over tighten screws or bolts.
- ✗ Do not stand on the product.
- ✗ Do not use power tools to construct as overtightening and panel failure may occur.



Calia 190-290cm Extending Dining Table, Oak



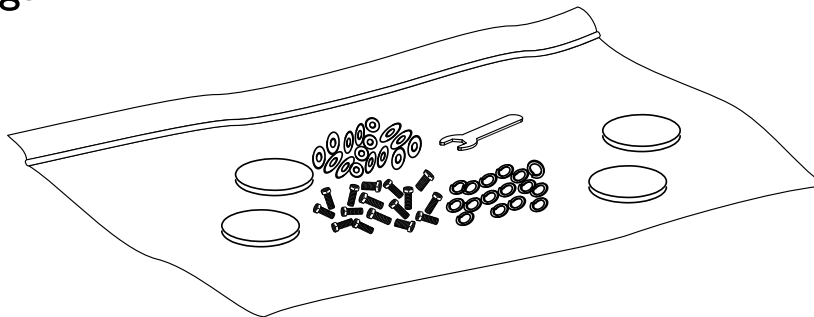
B	Description	Dimensions	Qty
①	Legs		2
②	Support bar		4
③	Ext. Leaves		2
④	Table Top		1

Internal dimensions

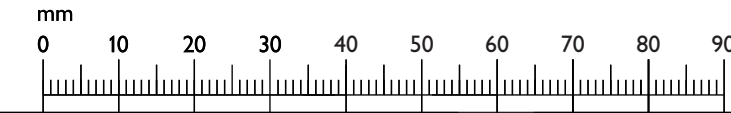


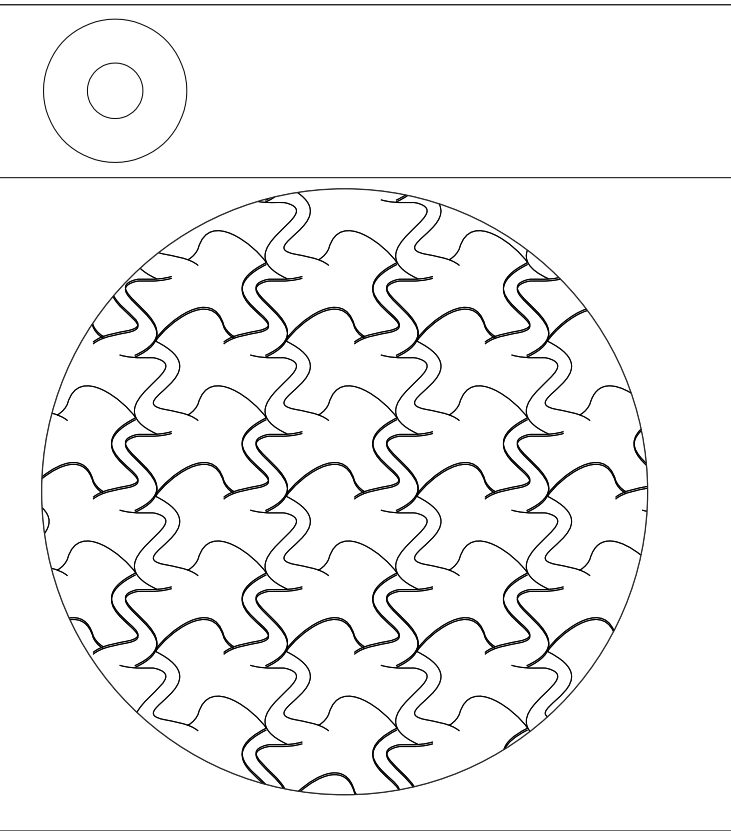
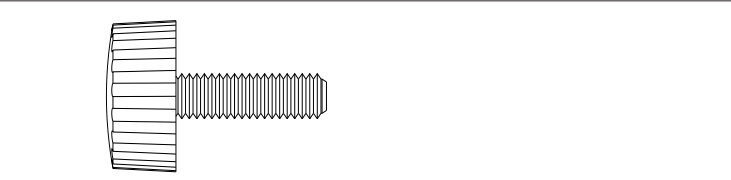
Stock number: 836 03001

Calia 190-290cm Extending Dining Table, Oak overall size: L290 x W95 x H76.3cm

Fixtures and fittings




Fixtures and fittings
supplied (actual size)

Ref	Description	Dimensions	Qty	mm
A	Bolt	8mm x 25mm	16	
B	Spring washer	Ø12 x 2 mm	16	
C	Flat washer	Ø19 x 1 mm	16	
D	Felt Pad	Ø80 x 3 mm	4	
E	Levelling screw Pre-mounted	M6 x 20mm	4	

Fixtures and fittings
supplied (not actual size)

Ref	Description	Dimensions	Qty
F	Wrench		1



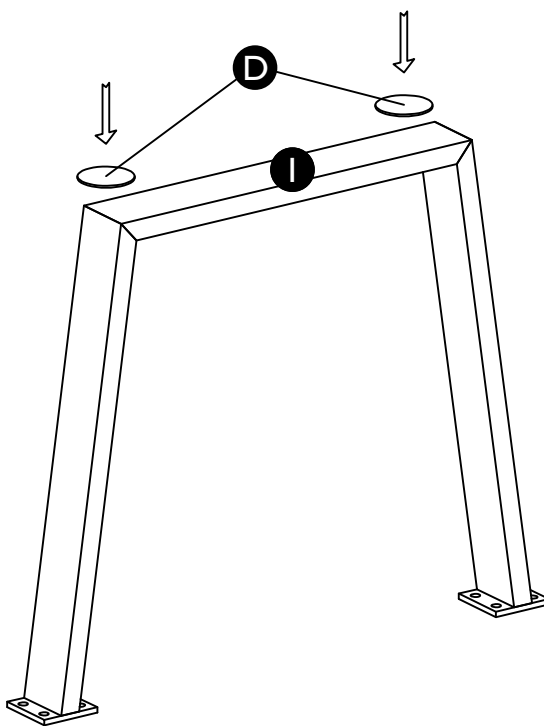
Product assembly

Calia 190-290cm Extending Dining Table, Oak
836 03001

Step 1

Parts, fittings and tools

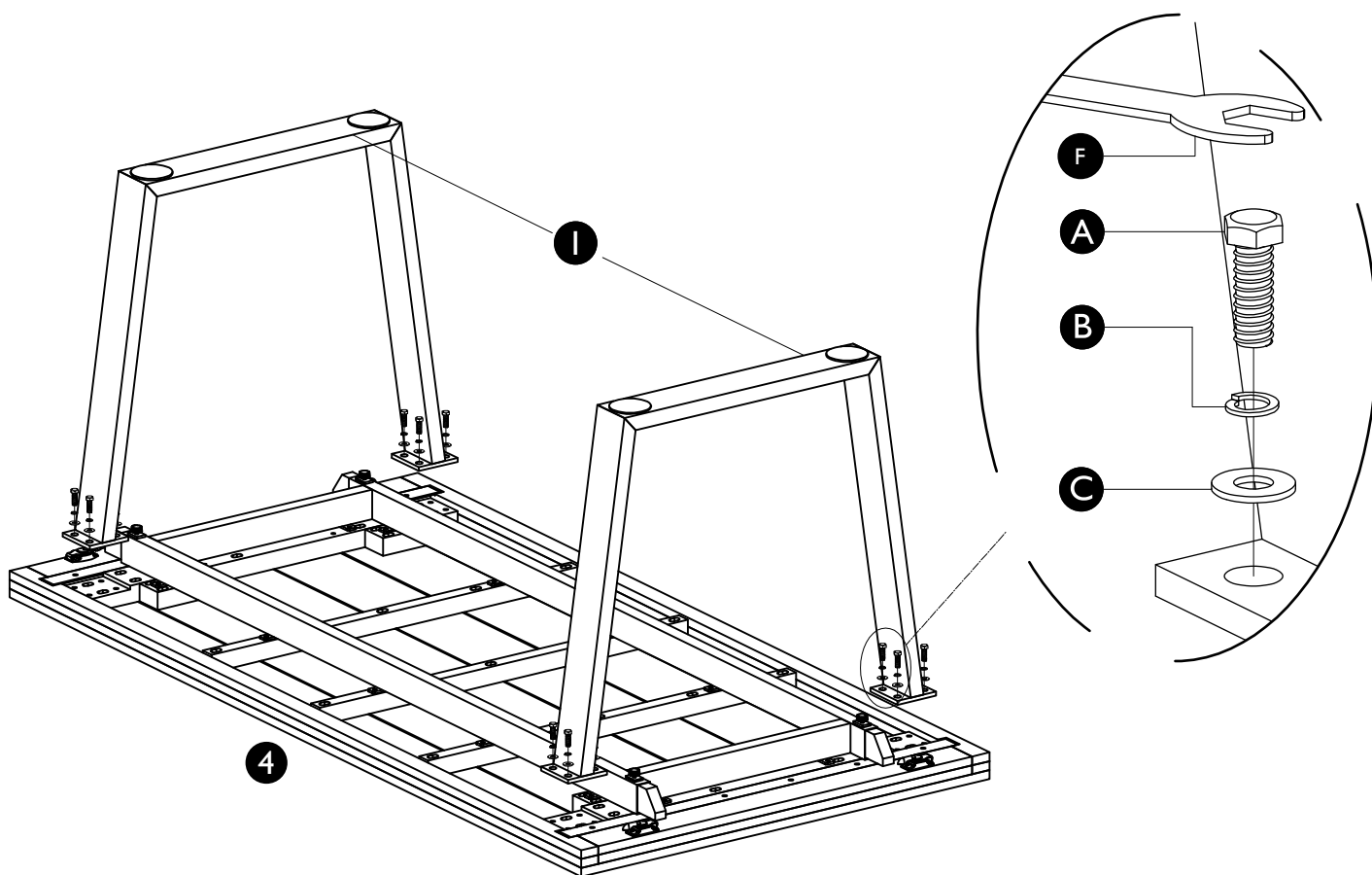
D I



Step 2

Parts, fittings and tools

I 4 A B C F

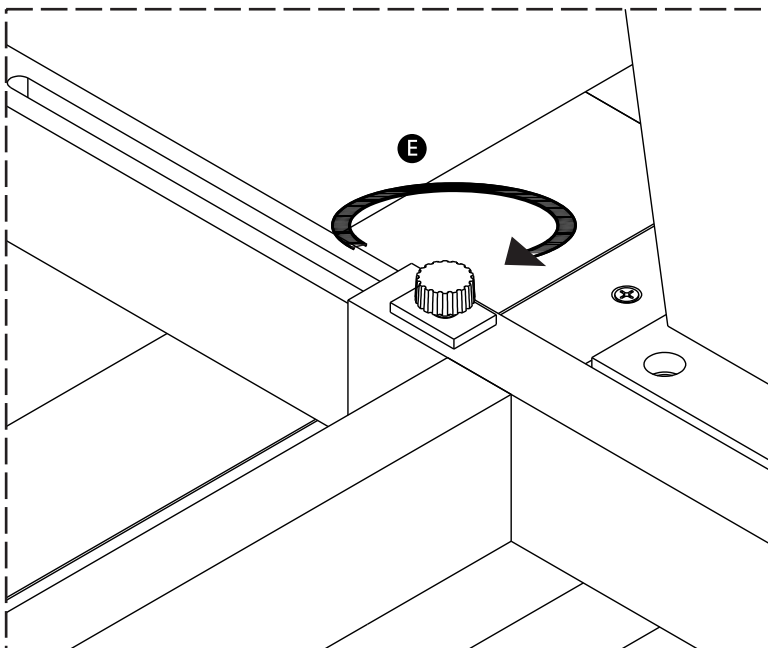
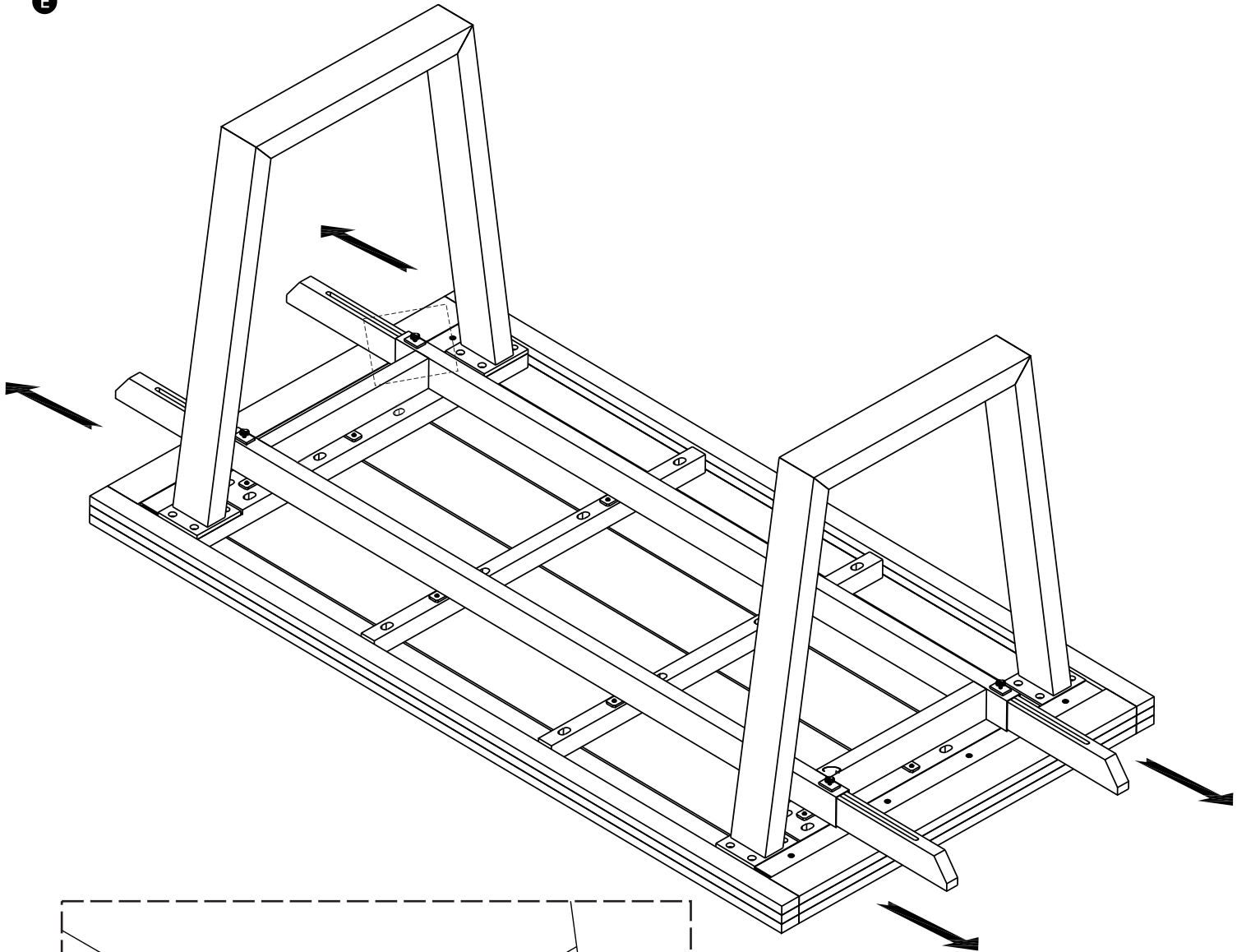


Step 3

Parts, fittings and tools

When using the dining table with the extensions, always tighten the levelling screws to align the plates to the table top.

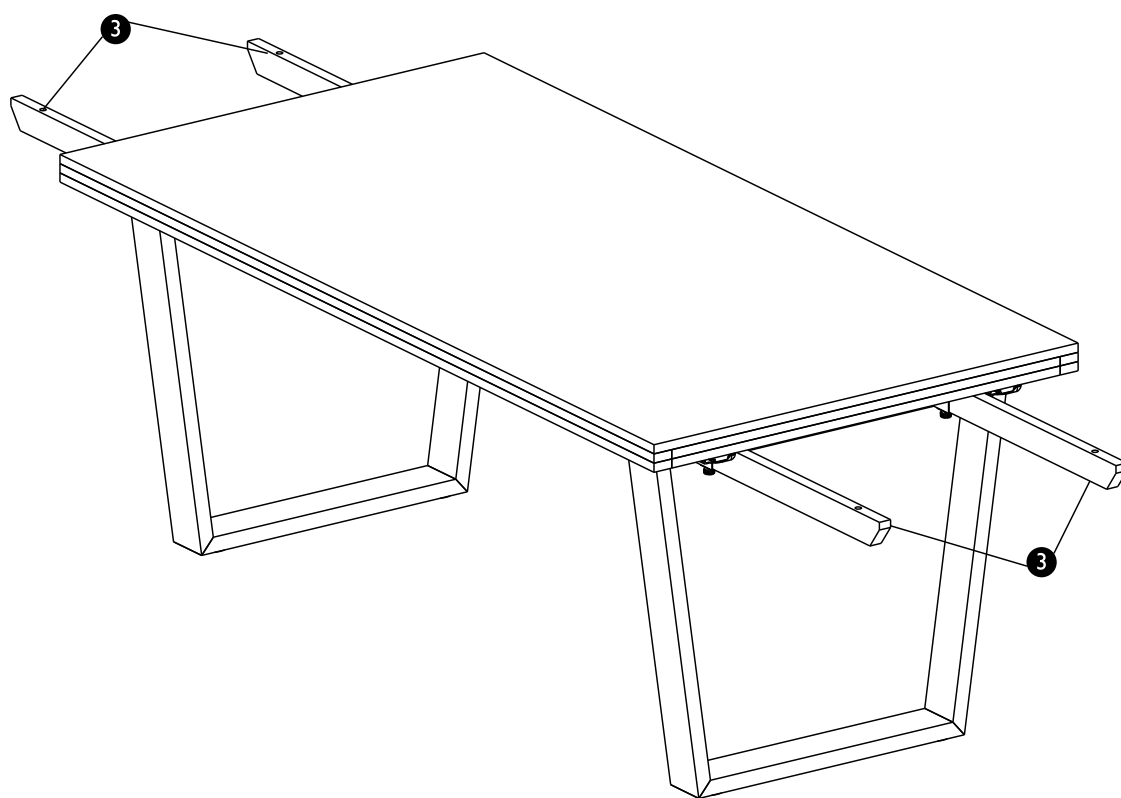
E



Step 4

Parts, fittings and tools

3



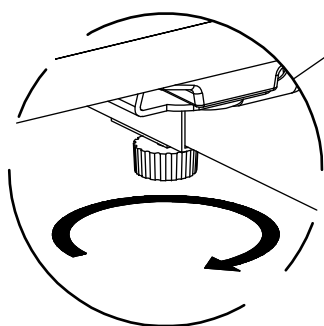
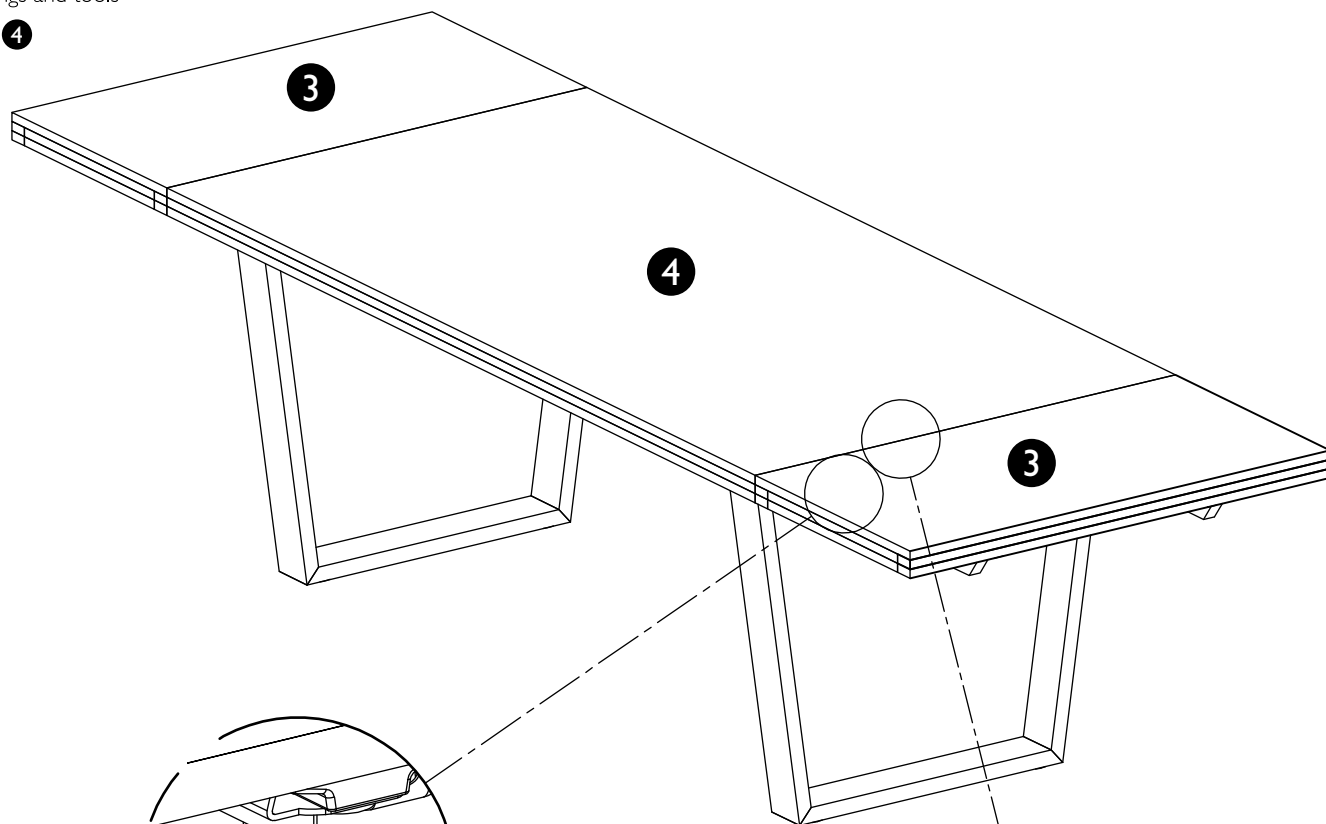
Product assembly

Calia 190-290cm Extending Dining Table, Oak
836 03001

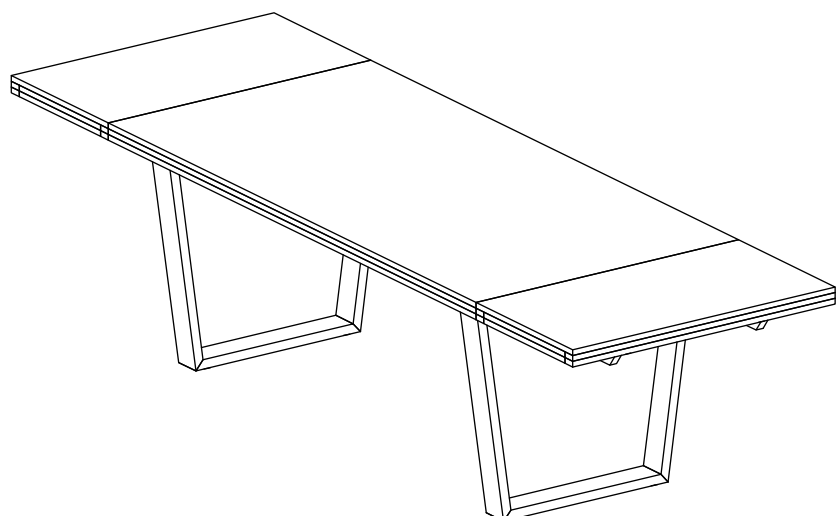
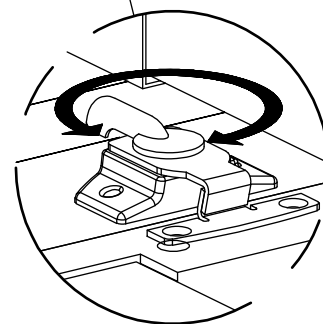
Step 5

Parts, fittings and tools

3 2 4



Put Ext. Leaves on the support bars.
Then lock key stage and lock swivel



Care guide

Care and maintenance

Wood furniture

Wood displays different grain patterns depending on which way they are cut—for example, the 'medullary ray' which can appear on oak furniture is a mark of good quality timber—these are just characteristics of the natural beauty of the wood. Some furniture is also deliberately aged and rustic.

Wood veneers also allow a distinctive pattern to be created on some surfaces, such as tabletops and drawer fronts by the way slivers are arranged.

All timber and veneer surfaces will change colour and mellow over time. New furniture will initially vary in shade from items that have been previously purchased.

How to care for your wood furniture

Your Calia furniture should be dusted or wiped over with a damp cloth. Do not use abrasive cleaner. Spray polishes are best avoided as they contain silicones which may spoil the furniture's surface when building up over time.

Make sure all surface are protected from heat and liquids by mats and coasters. Wipe up spills immediately and ensure that a mat or pad is placed under if you are writing.

Our furniture will endure most temperatures in the home, but it is best to avoid placing furniture next to heat sources such as radiators or fires. Be particularly careful with solid wood as the lack humidity caused by home heating can cause damage such as warping.

How often should the piece of furniture be treated with oil?

1. Your new dining table has been oiled in the factory. However you may wish to re oil, prior to the dining tables first use
2. The surface should be treated when necessary, and we suggest as often as every three months according to the level of use.

How do you apply the oil to the piece of furniture?

1. Before starting to re oil, protect all surfaces and floors around your dining table.
2. Apply plenty of oil with a clean cloth. Table tops must be treated underneath as well as on the top side. Taking care not to drop any of the oil.
3. After 15 minutes, carefully polish with a sandpaper sponge along the grains of the wood taking care not to flatten, lift or damage the distressed finish.
4. Polish off remaining oil with a clean, dry cloth.
5. Ensure the dining table is completely dry and all of the oil is absorbed before using.

Your new piece of furniture has been oiled in the factory prior to delivery.

We recommend re oiling regularly to keep the surface looking its best.

We recommend to use Woca "Worktop oil – natural" – item no. 527713AA (0.75 L) – available at <http://www.wocadenmark.co.uk>

Safety instructions

Never drag furniture when moving it, always lift it.

Periodically check all fixings to ensure none have come loose and retighten when necessary.

Please take care when handling or moving the furniture as careless handling may cause damage or injury.

Furniture can be dangerous if incorrectly installed. Assembly should be carried out by a competent person. No liability will be accepted for damage or injury caused by incorrectly installed or assembled furniture.

Retain these instructions for future reference.