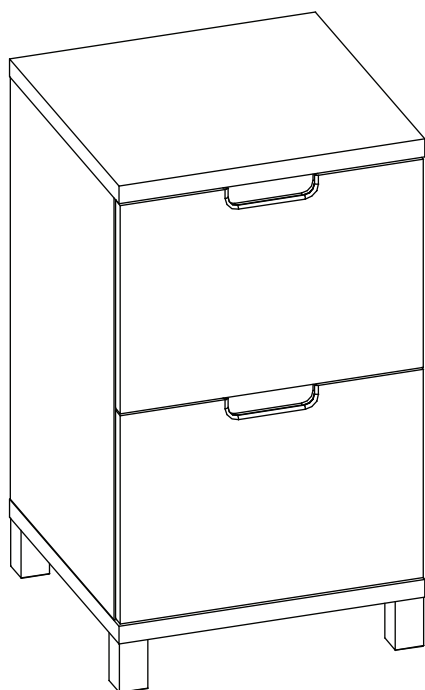


John Lewis

ABACUS narrow filing cabinet

Stock number: 816 / 40413



H74 W43 D42cm

Thank you for purchasing the ABACUS narrow filing cabinet. Please read the instructions and warnings carefully before use, to ensure safe and satisfactory operation of this product.

At John Lewis, we are committed to making great products possible.

From our in-house Design Team, to our Buyers, we work together to bring great design to life.

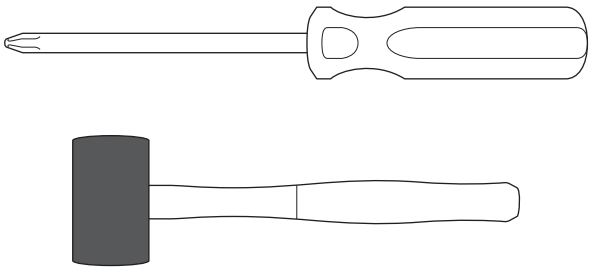
Our expert Product Technologists work collaboratively with our buyers and suppliers to assure the legality, safety and quality of the product we sell.

We are all committed to designing and developing products to the highest industry standards.

We hope you are happy with your product and welcome any feedback or comments you may have.

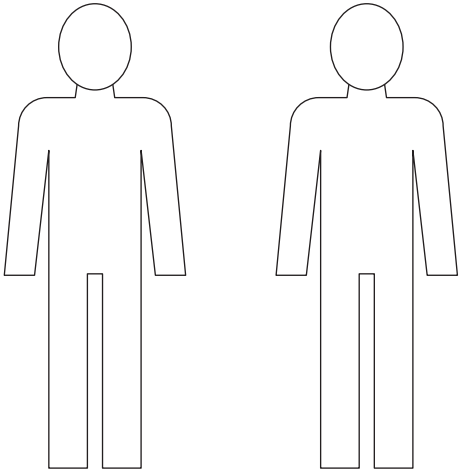
The John Lewis Team

Tools required



Time to assemble
35 Minutes

People to assemble



Important safety information

Warnings

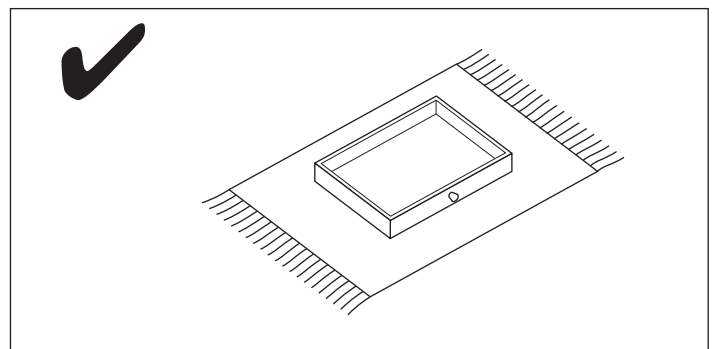
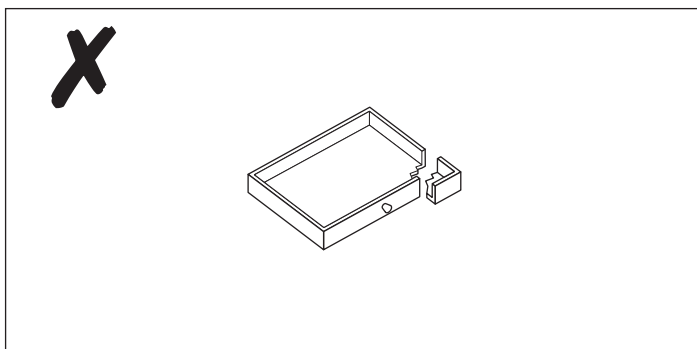
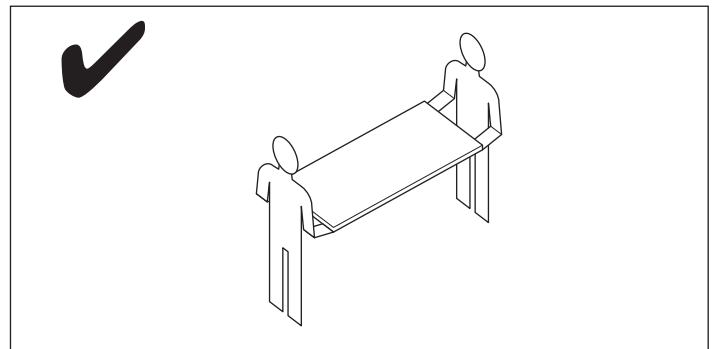
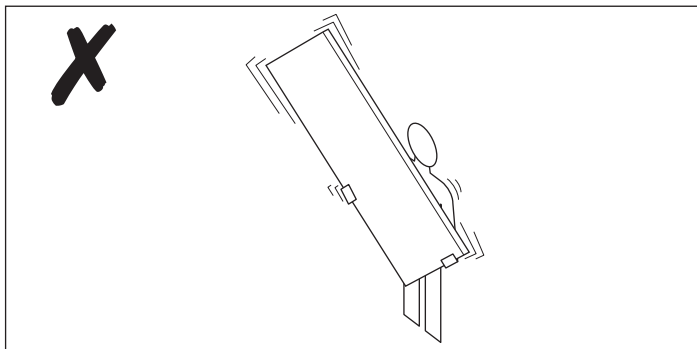
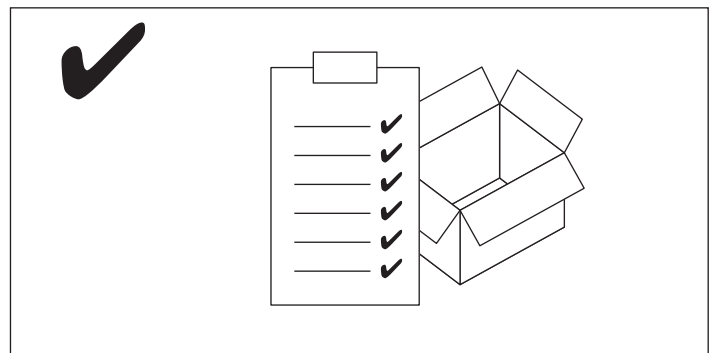
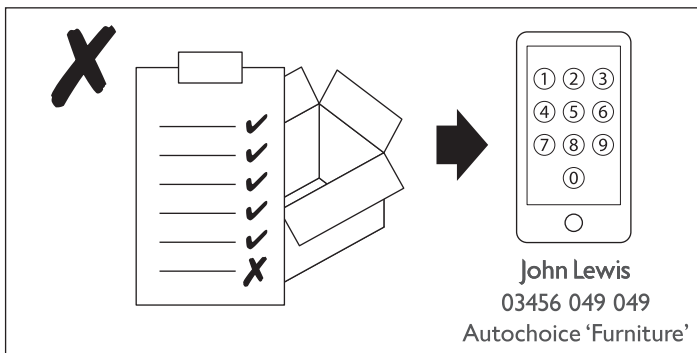
- ⚠ The product should only be used on firm, level ground.
- ⚠ Keep small parts out of reach of children .
- ⚠ Ensure the product is fully assembled as illustrated before use.

Do's

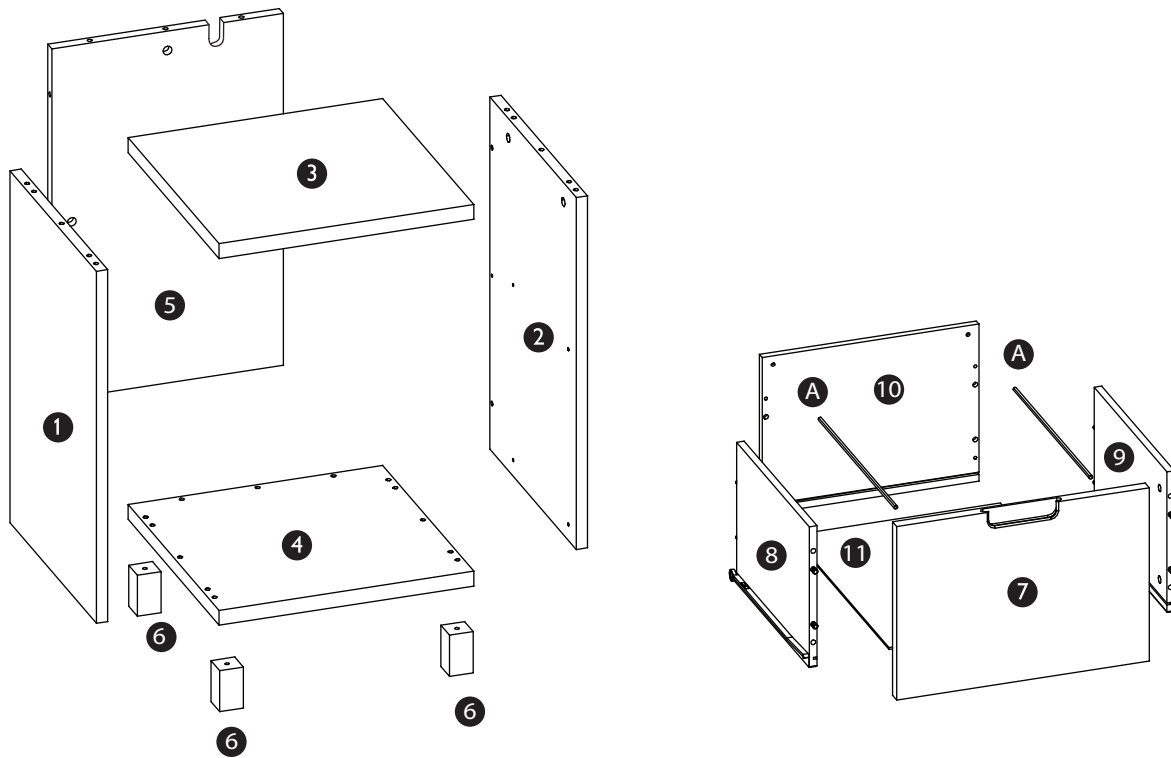
- ✓ Check the pack and make sure you have all the parts listed.
- ✓ Check all screws or bolts are tightened and inspect regularly.
- ✓ Make sure the legs remain in contact with the ground at all times.

Don'ts

- ✗ Do not over tighten screws or bolts.
- ✗ Do not stanci on the product.
- ✗ Do not use power tools to construct as overtightening and panel failure may occur.



Your Narrow filing cabinet



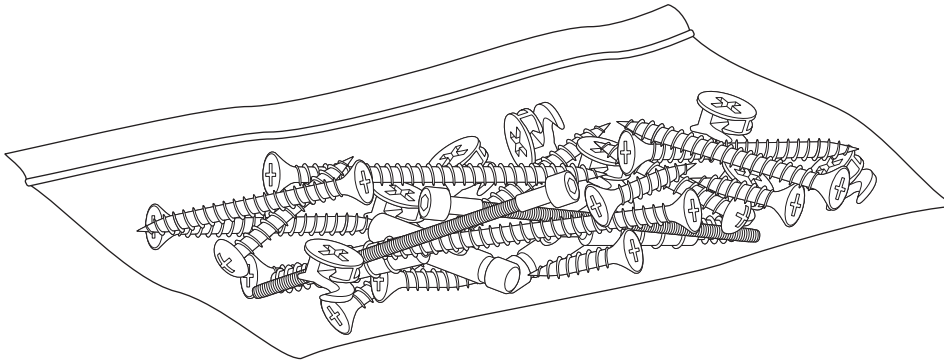
Ref	Description	Dimensions	Qty
①	Left side panel		1
②	Right side panel		1
③	Top		1
④	Base		1
⑤	Back panel		1
⑥	Legs		4
⑦	Drawer front		2
⑧	Left drawer side		2
⑨	Right drawer side		2
⑩	Drawer back		2
⑪	Drawer bottom		2

Internal dimensions

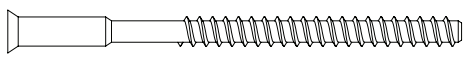
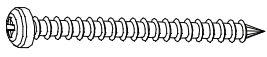
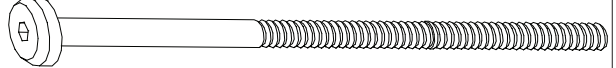





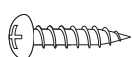
Stock number: 40413

Narrow filing cabinet overall size: H47 W43 D42 cm

Fixtures and fittings



Fixtures and fittings
supplied (actual size)

Ref	Description	Dimensions	Qty	mm
B	Screw		5	
C	Screw		8	
D	Screw		4	
F	Camlocks		8	
H	Screw		8	
I	Dowels		20	
J	Camlocks		7	
K	Connecting bolts		15	
M	Screw		1	

Fixtures and fittings
supplied (not actual size)

Ref	Description	Dimensions	Qty
A	File hanging rods		4
E	Allen key M4		1
G	Plastic buffers		2
L	Runners		4
N	Angle		1

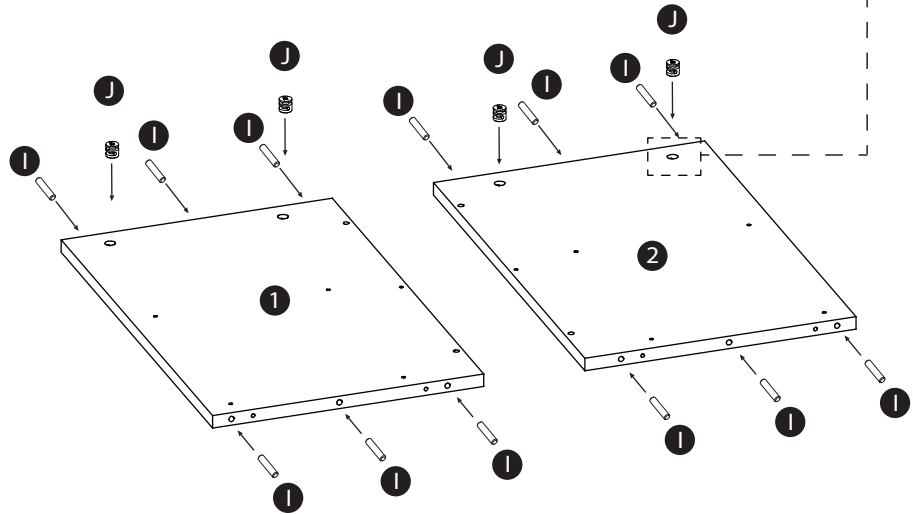
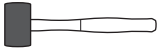
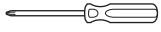
Product assembly

ABACUS Narrow filing cabinet
40413

Step 1

Parts, fittings and tools

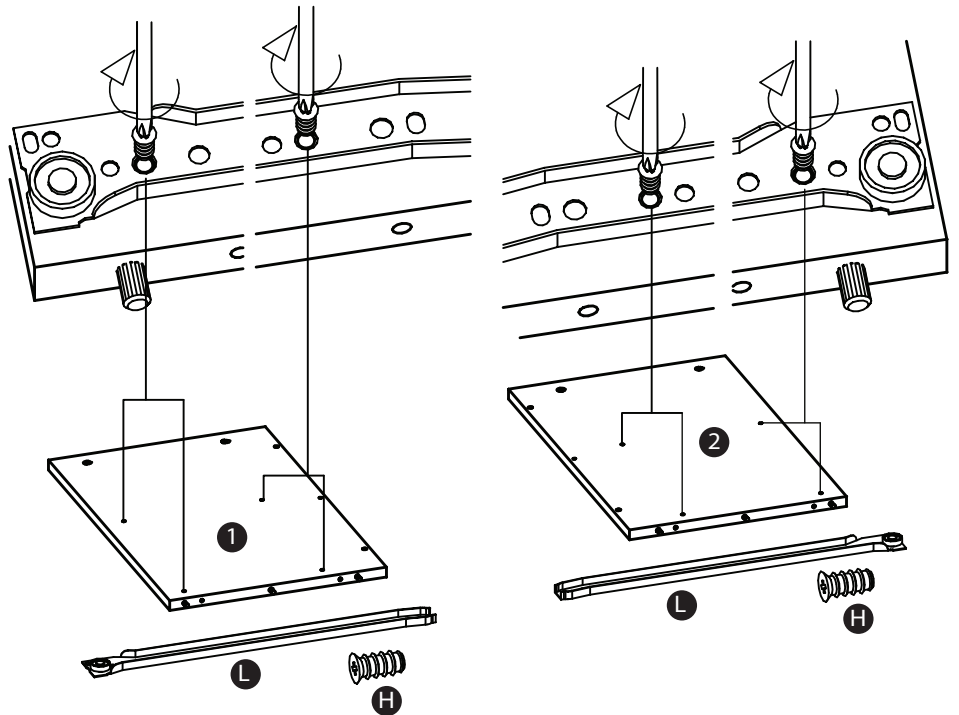
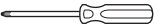
1 J 1 2



Step 2

Parts, fittings and tools

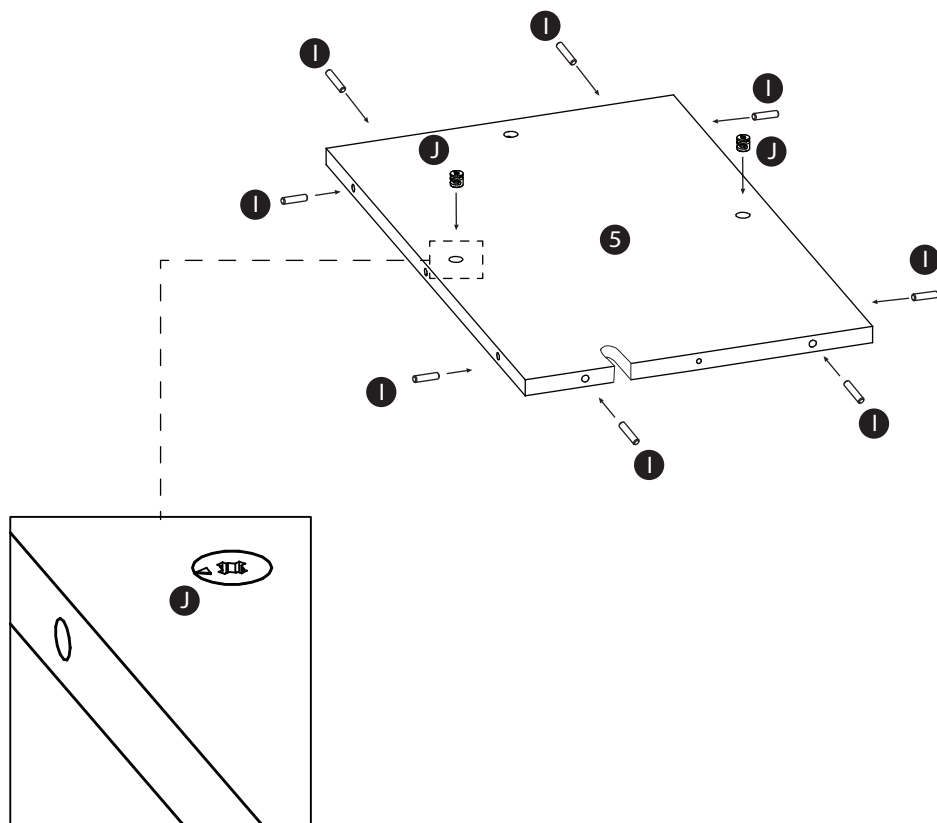
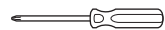
L H 1 2



Step 3

Parts, fittings and tools

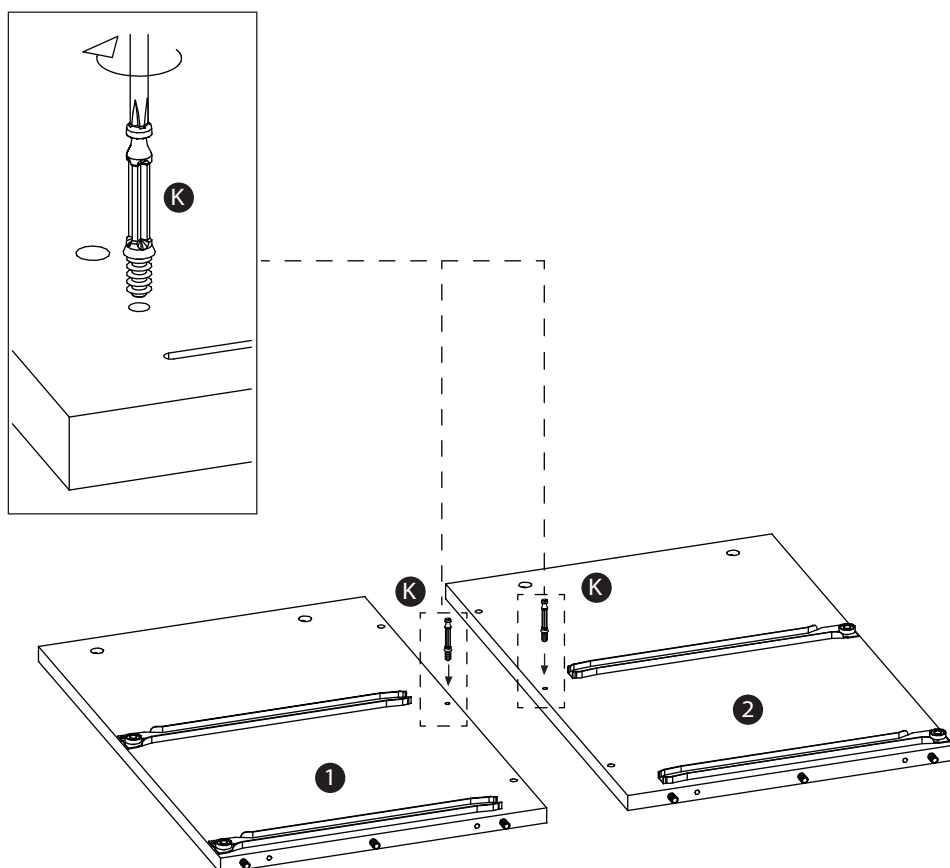
5 I J



Step 4

Parts, fittings and tools

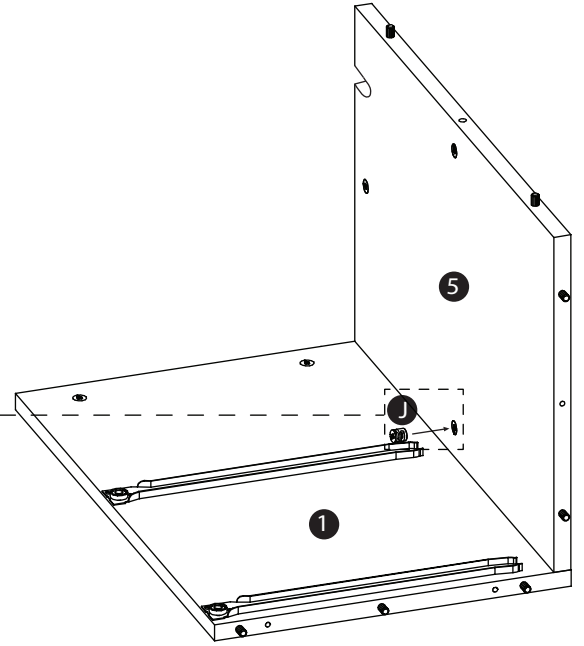
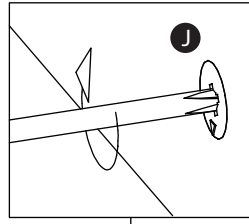
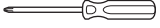
1 2 K



Step 5

Parts, fittings and tools

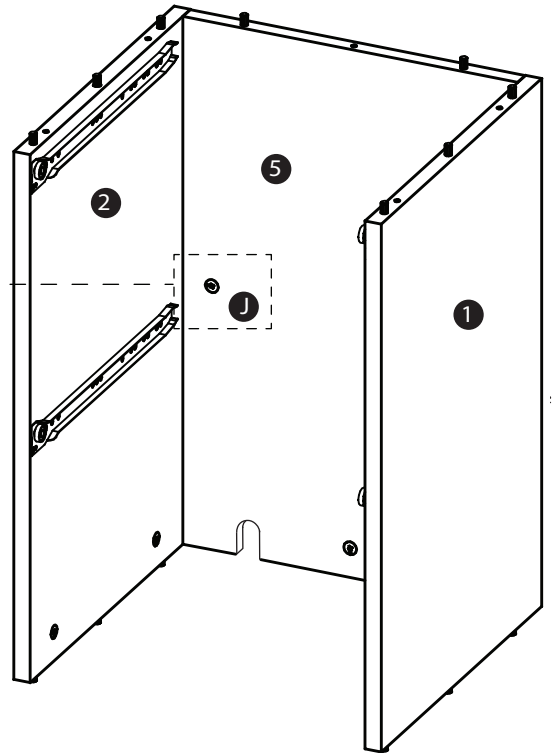
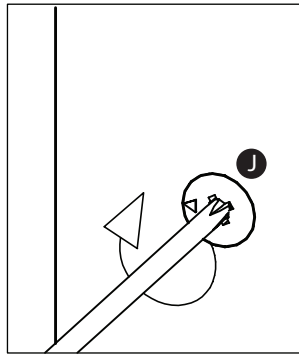
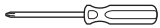
1 5 J



Step 6

Parts, fittings and tools

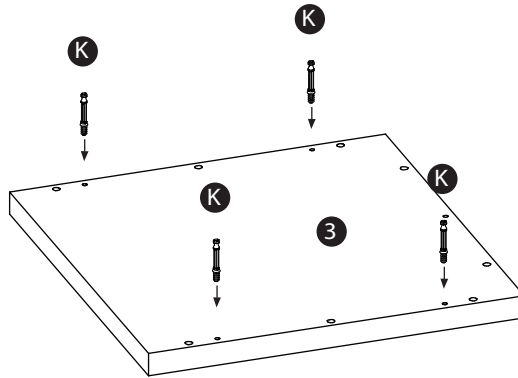
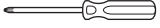
1 2 5 J



Step 7

Parts, fittings and tools

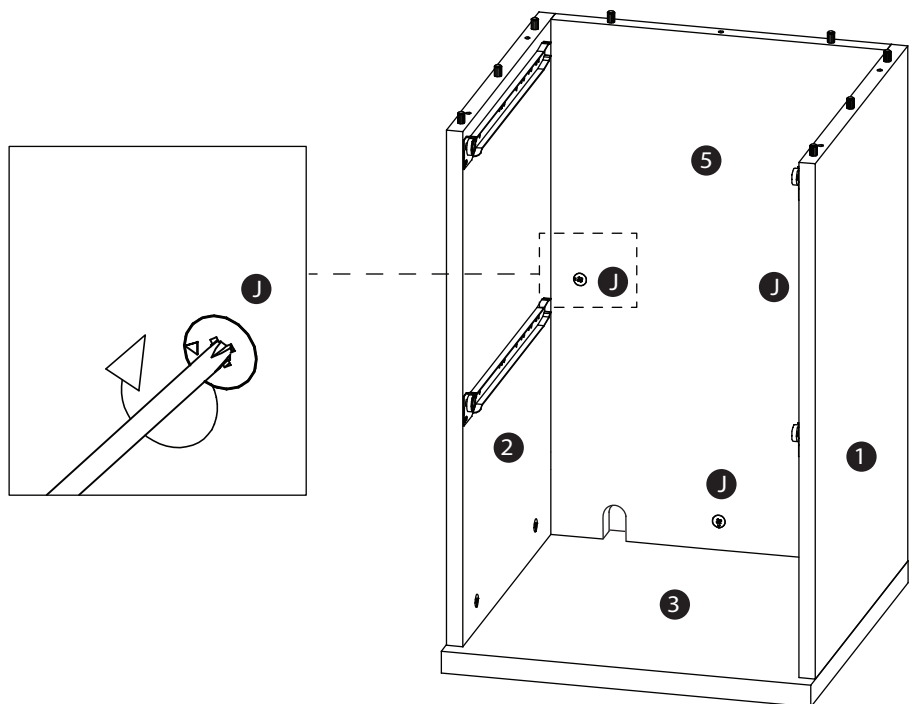
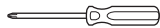
3 K



Step 8

Parts, fittings and tools

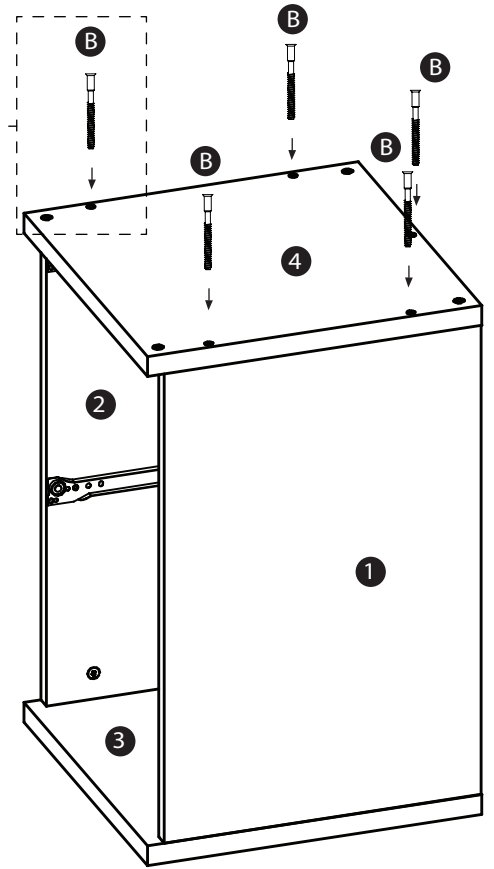
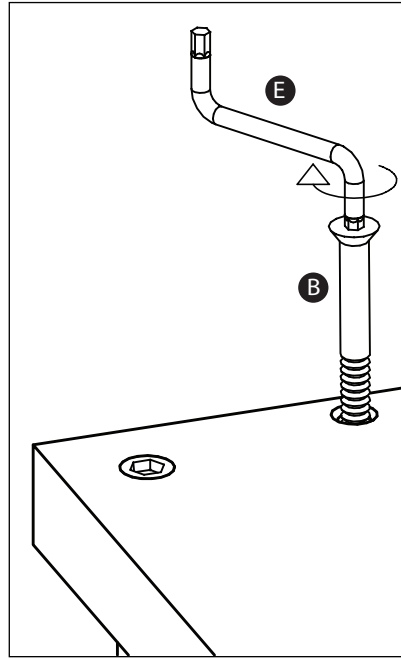
1 2 3 5 J



Step 9

Parts, fittings and tools

- 1 2 3 4 E B

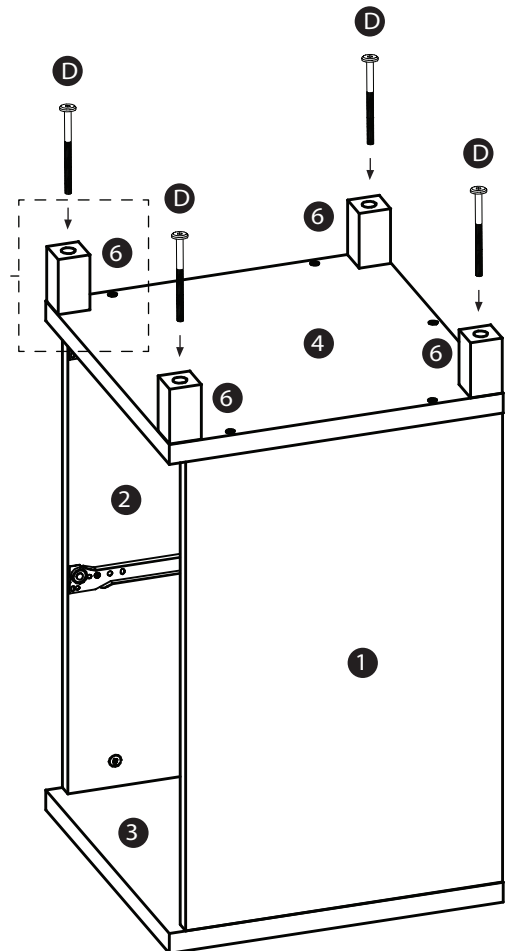
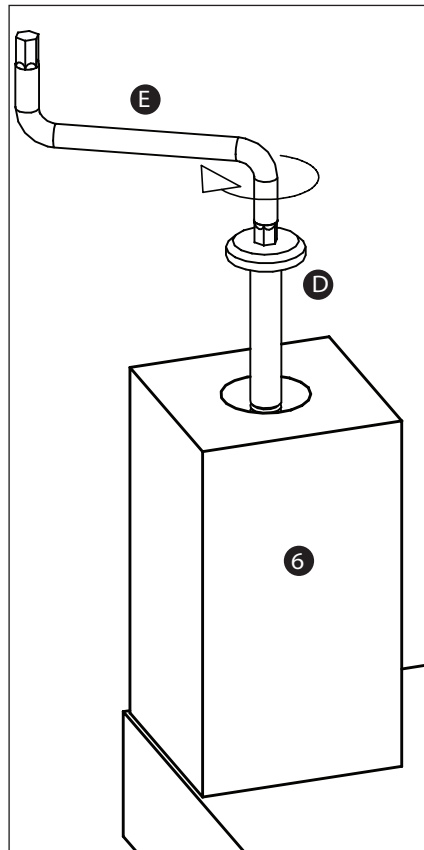


Step 10

Parts, fittings and tools

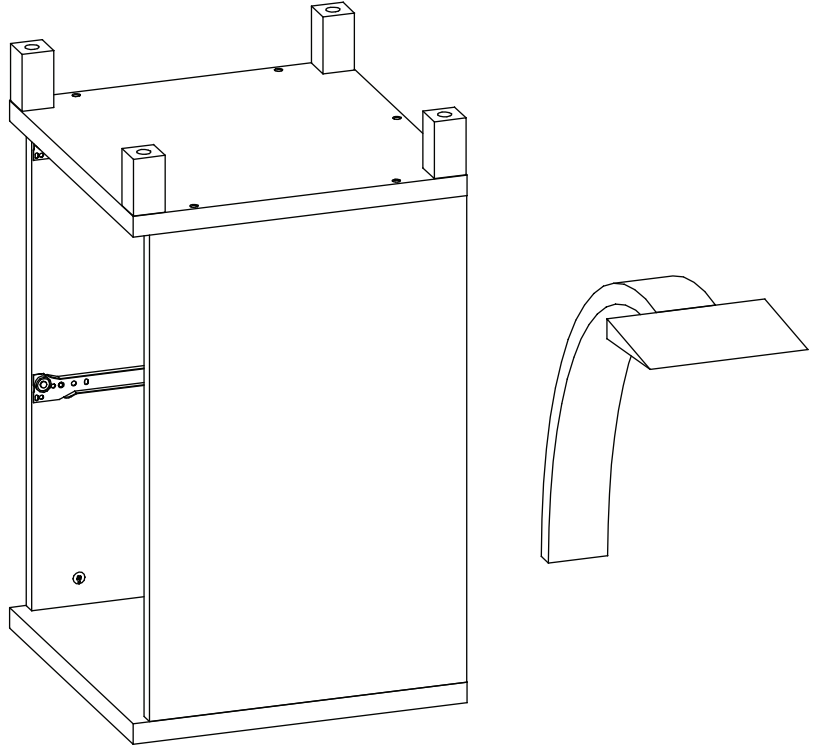
- 1 2 3 4 6

- E D



Step 11

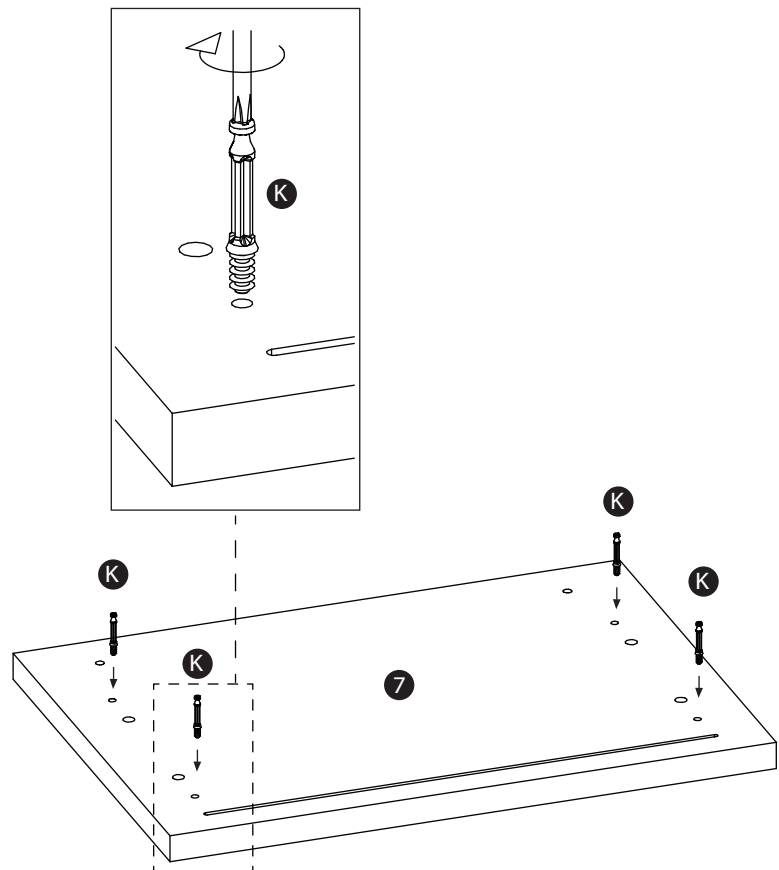
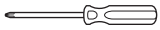
Parts, fittings and tools



Step 12

Parts, fittings and tools

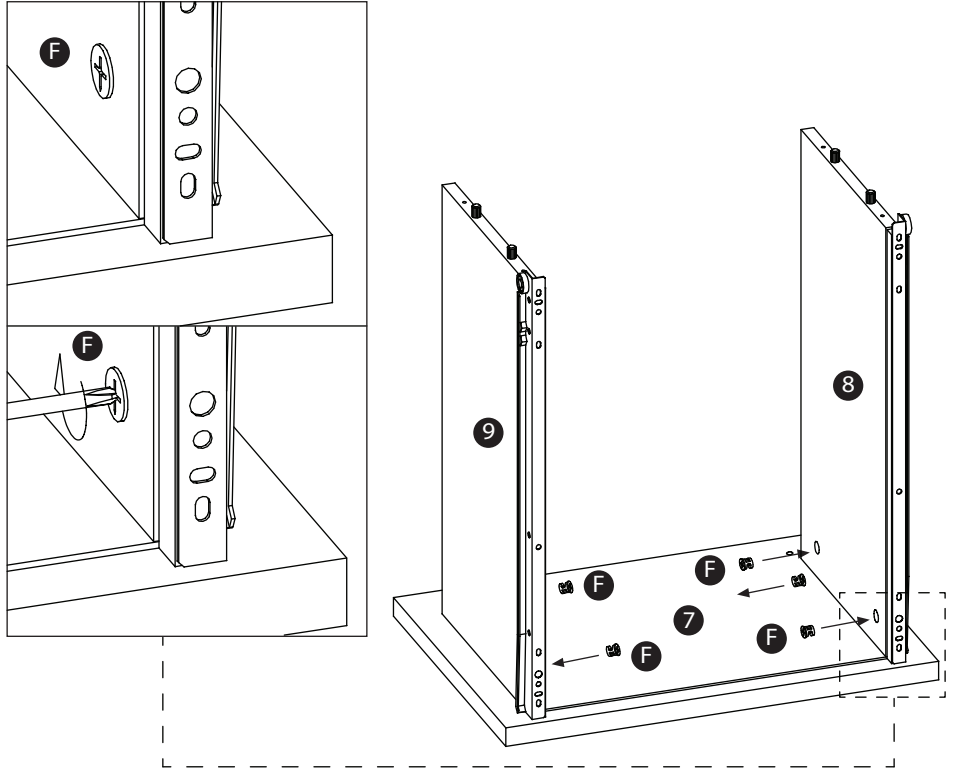
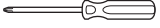
7 K



Step 13

Parts, fittings and tools

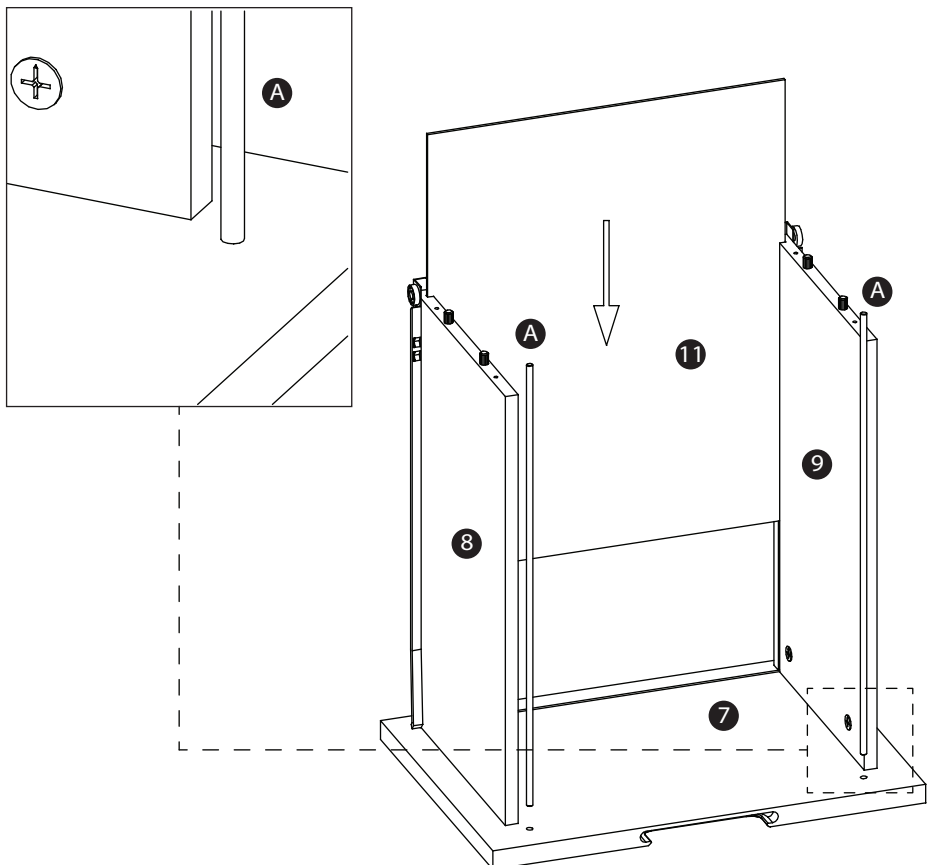
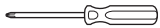
7 8 9 F



Step 14

Parts, fittings and tools

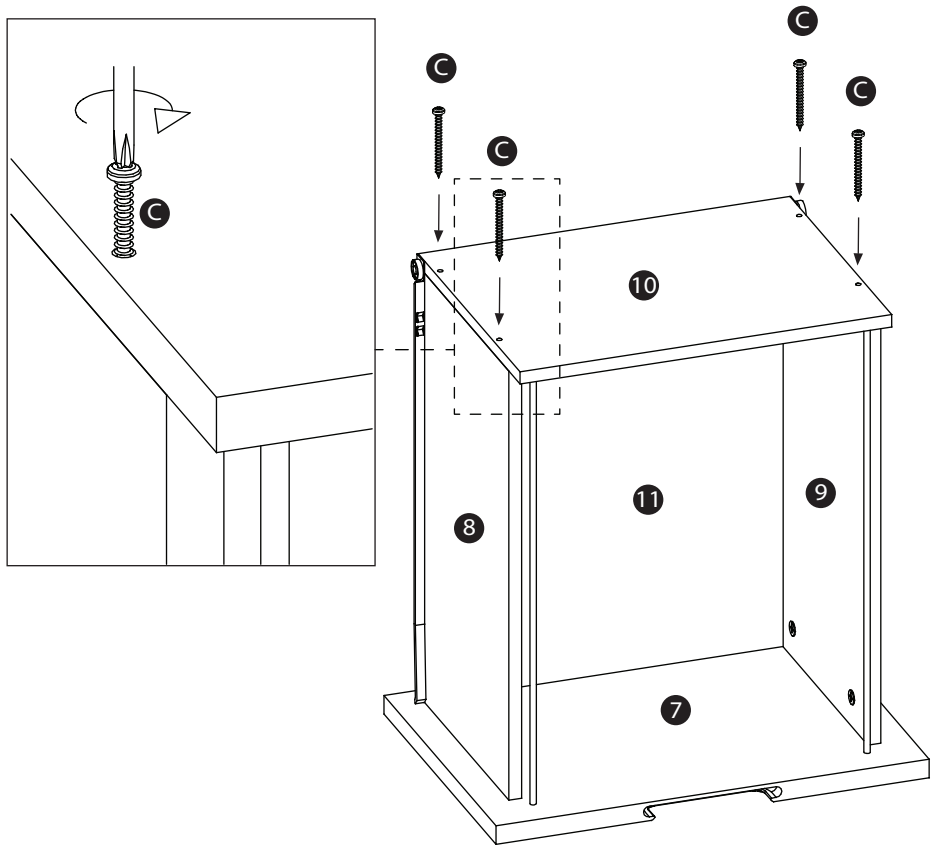
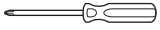
7 8 9 11 A



Step 15

Parts, fittings and tools

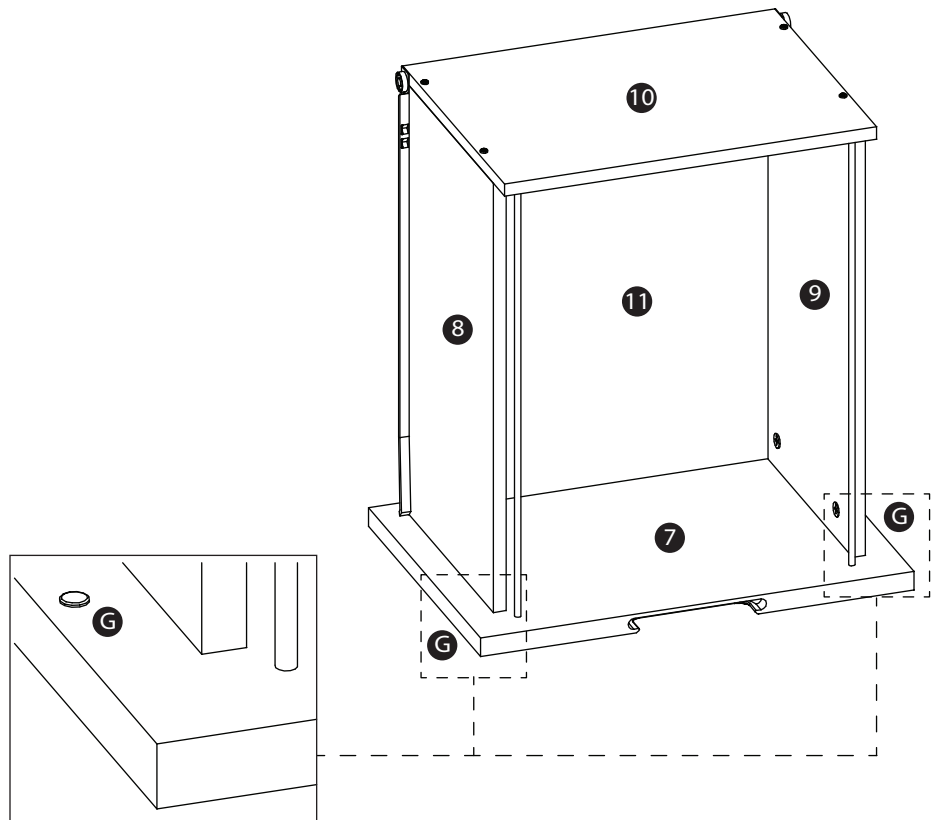
7 8 9 10 11 C



Step 16

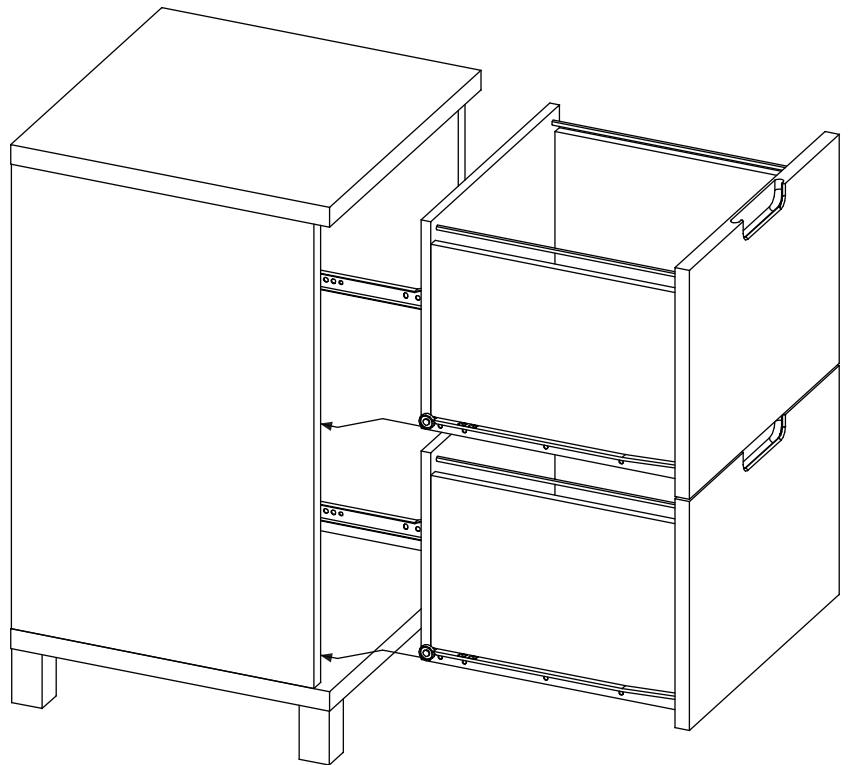
Parts, fittings and tools

7 8 9 10 11 G



Step 17

Parts, fittings and tools

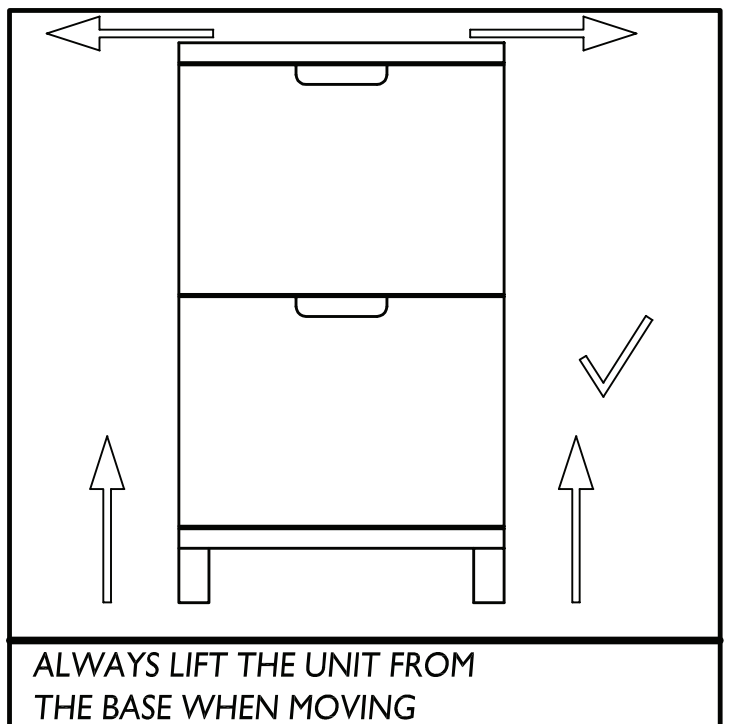
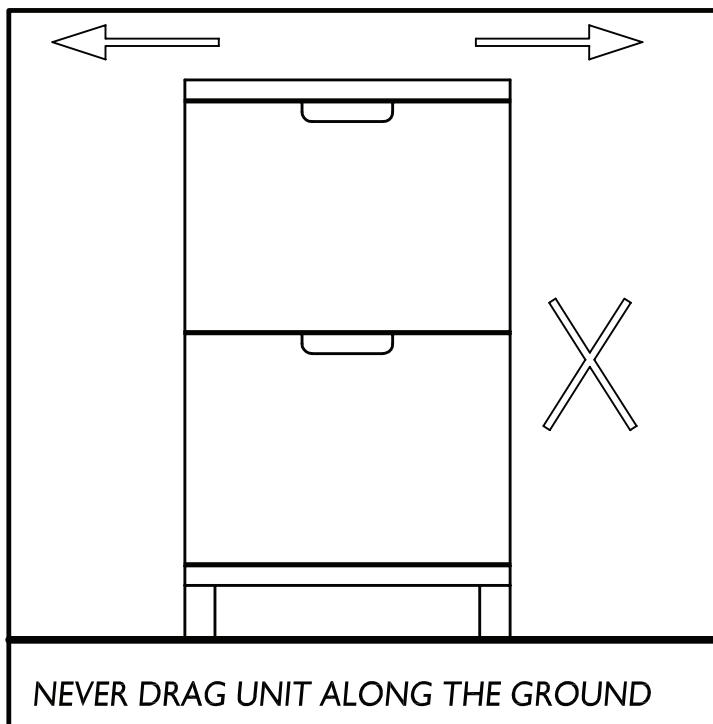


Step 18

Parts, fittings and tools

WARNING

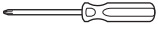
Always lift the unit from the base when moving it, do not drag along the ground, as this may damage the legs. It is recommended that two people should move the unit, never move it alone.



Step 19 Final assembly

Parts, fittings and tools

M N

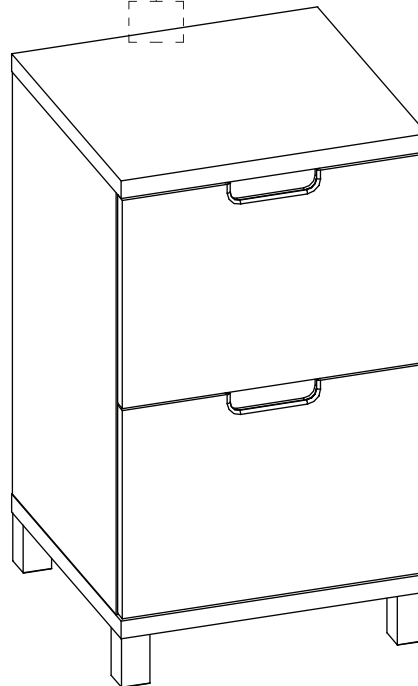
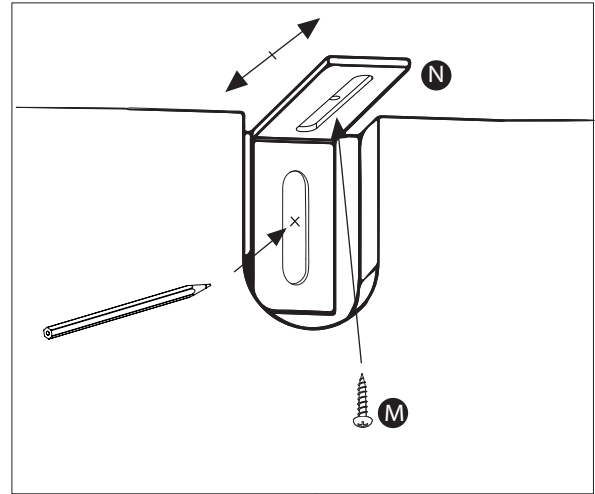


Mark the drill hole positions.
Remove the unit and drill a hole for
wall plug in the marked positions.
Chose correct fixings for your type
of wall (see page 14).
With help, lift the unit up and
aligning the holes, fix to the wall
using the correct screws and tighten
fully.
The assembly is now complete.




Warning

Serious or fatal crushing
injuries can occur from
furniture tipping over. To
prevent this furniture
tipping over it must be
permanently fixed to
the wall.



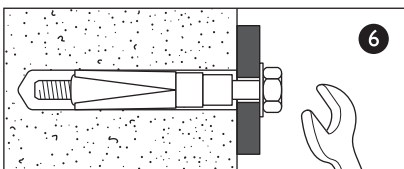
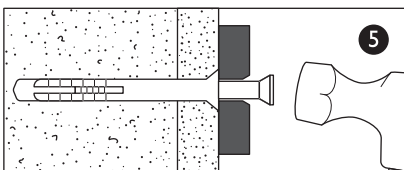
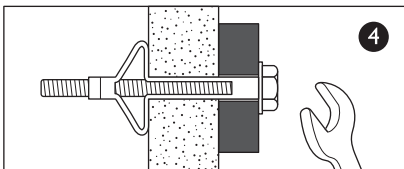
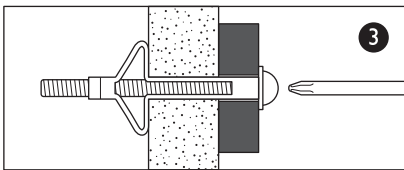
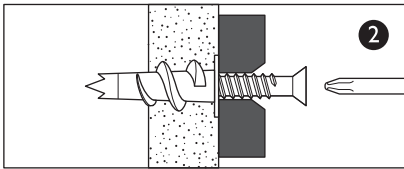
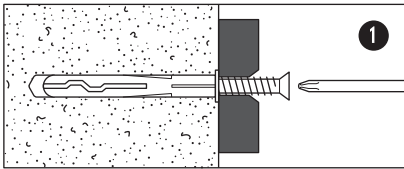
Wall attached item only:

A guide to wall mounting and fixings

 **Warning**
Wall fixing screws are not included, since different wall materials require different types of screws / fixings. Please ensure you use the correct screws / fixings for your type of walls and seek professional advice if you are not sure.

Failure of the product due to incorrect fixings is the responsibility of the installer.

Important: When drilling into the walls always check that there are no hidden wires or pipes etc.



Types of walls

You can use one of the following types of wall plug if your walls are made of brick, breezeblock, concrete, stone or wood.

1. General Purpose wall plug

Generally aerated blocks should not be used to support heavy loads, use a specialist fitting in this case. For light loads, general - purpose wall plugs can be used.

2. Plasterboard wall plug

For use when attaching light loads on to plasterboard partitions.

3. Cavity Fixing wall plug

For use with plasterboard partitions or hollow wooden doors.

4. Cavity Fixing - Heavy Duty wall plug

For use when fitting or supporting heavy loads such as shelving, wall cabinets and coat racks.

5. Hammer Fixing wall plug

For use with walls stuck with plasterboard. The hammer fixing allows it to be fixed to the wall rather than the plasterboard. Always check the fixing is secure to the retaining wall.

6. Shield Anchor wall plug - Heavy loads

For use with heavier loads such as TV and Hi-Fi speakers and satellite dishes etc.



Care and maintenance

Safety: Periodically check all fittings and wall fixings to ensure they have not come loose and retighten as necessary

Care guide

Care and maintenance

Wood furniture

Wood displays different grain patterns depending on which way they are cut - for example, the 'medullary ray' which can appear on oak furniture is a mark of good quality timber - these are just characteristics of the natural beauty of the wood. Some furniture is also deliberately aged and rustic.

Wood veneers also allow a distinctive pattern to be created on some surfaces, such as tabletops and drawer fronts by the way slivers are arranged.

All timber and veneer surfaces will change colour and mellow over time. New furniture will initially vary in shade from items that have been previously purchased.

How to care for your wood furniture

Furniture with a hard lacquer, wax polish or painted surface should be dusted with a dry cloth.

Waxed furniture will need to be given a coat of beeswax a couple of times a year to help maintain its lustre. Spray polishes are best avoided as they contain silicones which may spoil the furniture's surface when building up over time.

Make sure all surfaces are protected from heat and liquids by mats and coasters. Wipe up spills immediately and ensure that a mat or pad is placed under paper if you are writing.

Our furniture will endure most temperatures in the home, but it is best to avoid placing furniture next to heat sources such as radiators or fires. Be particularly careful with solid wood as the lack of humidity caused by home heating can cause damage such as warping.

Safety instructions

Never drag furniture when moving it, always lift it.

Periodically check all fixings to ensure none have come loose and retighten when necessary.

Please take care when handling or moving the furniture as careless handling may cause damage or injury.

Furniture can be dangerous if incorrectly installed. Assembly should be carried out by a competent person. No liability will be accepted for damage or injury caused by incorrectly installed or assembled furniture.

Retain these instructions for future reference.