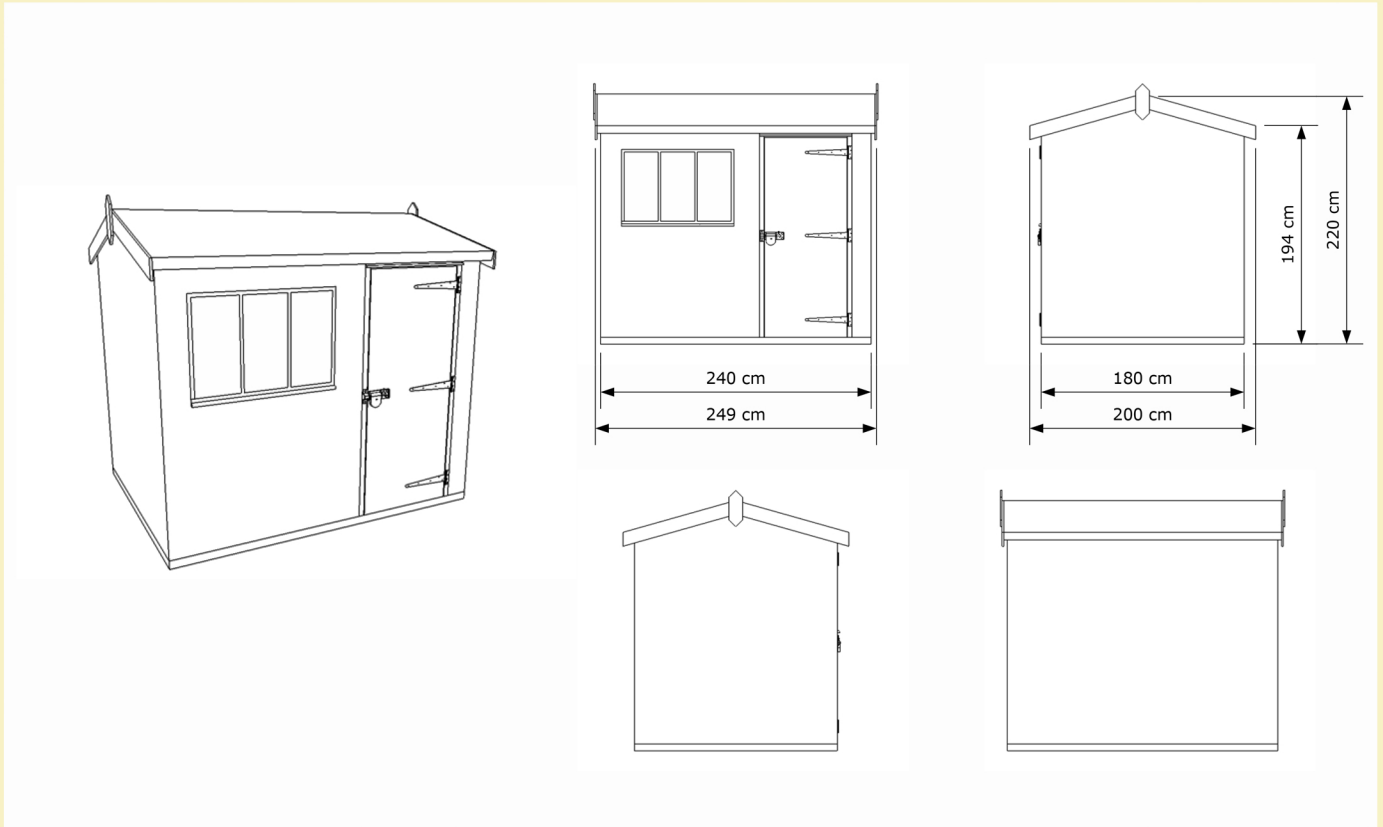




**CRANE**  
GARDEN BUILDINGS

## PRODUCT INFORMATION GUIDE

### CRANE WINDSOR GARDEN SHED 1.8 X 2.4M



#### PRODUCT SPECIFICATIONS

**Dimensions:** H220 x W180 x L240 cm

**Internal Height:** 194 cm to eaves

**Side Walls:** ex 19 x 125 mm shiplap cladding on ex 38 x 50 mm planed framing.

**Door:** ex 750 x 1800 mm mortise and tenoned, framed ledged and bolted door with 3 x 400 mm zinc plated T hinges and secured with a high security 7 lever lock.

**Windows:** One set of fixed windows with 4 mm toughened glass.

**Roof:** ex 19 x 125 mm tongue and groove matchboarding on ex 38 x 50 mm planed framing covered with mineralised roofing felt.

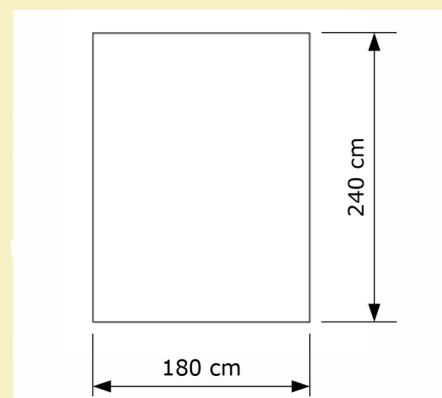
**Floor:** ex 19 x 125 mm tongue and groove floorboards treated with an oak preservative and sat on ex 38 x 50 mm tanalized planed floor.

#### PREPARING A BASE

Although all Crane Garden Buildings have timber floors, you need a ready prepared base of paving slabs or concrete before you take delivery. It must be solid flat level and square.

**To prepare this you require:**

180 x 240 cm paving slab base laid on mortar  
**or**  
180 x 240 cm concrete base, no less than 10 cm thick





# CRANE

## GARDEN BUILDINGS

## PRODUCT INFORMATION GUIDE

### USEFUL INFORMATION

#### PLANNING PERMISSION

Most Crane Garden Buildings fall within modern planning regulations. Please visit [PlanningPortal.gov.uk](http://PlanningPortal.gov.uk) where you will find up-to-date information on regulations for outbuildings and more information about planning and building regulations.

#### PAINT COLOURS

All Crane Garden Buildings are finished in a fully opaque micro porous paint that protects the exterior timber. Our range of colours have been developed to fully complement your garden and its surroundings. The exact colour may vary slightly to the picture shown on the website so we recommend you order for reference a free paint sample by clicking on the link on the product page.

#### OUR TIMBER

We are an FSC certified company and we partner with a timber mill in North Sweden who is also FSC certified thus ensuring a constant supply of high quality certified timber. We use Scots Pine which is sourced from an area of forest that has been growing for more than 130 years at latitudes above 65° North. In these conditions the trees are slowly grown making the timber more dense which ensures a high quality, close grain less susceptible to dead knots. The mill manages their forests in a sustainable way replanting each tree. All of this cut timber is then independently inspected, classified and stamped to ensure traceability and quality before being shipped to the UK. 90% of the timber waste produced at our workshops is used to fuel our heating system, thereby we use no fossil fuels. The remaining waste we produce is sorted for recycling.

#### WHY CRANE GARDEN BUILDINGS?

Crane Garden Buildings are proud to be a UK manufacturer of superior garden buildings of all types for over 40 years. Based in Norfolk we are a family run business renowned for our exceptional quality, expertise and timeless design. All our buildings are manufactured to order on site in our Norfolk factory by skilled craftsmen where our workmanship is monitored to achieve and sustain high standards of quality and finish. We have a strong commitment to our delivery service, liaising with customers and meeting their expected delivery times. Your order will be delivered and fully assembled in your garden by our experienced team of fitters. As an FSC certified company we behave in a sustainable way, reducing our impact on the environment by sourcing our wood from renewable sources.

